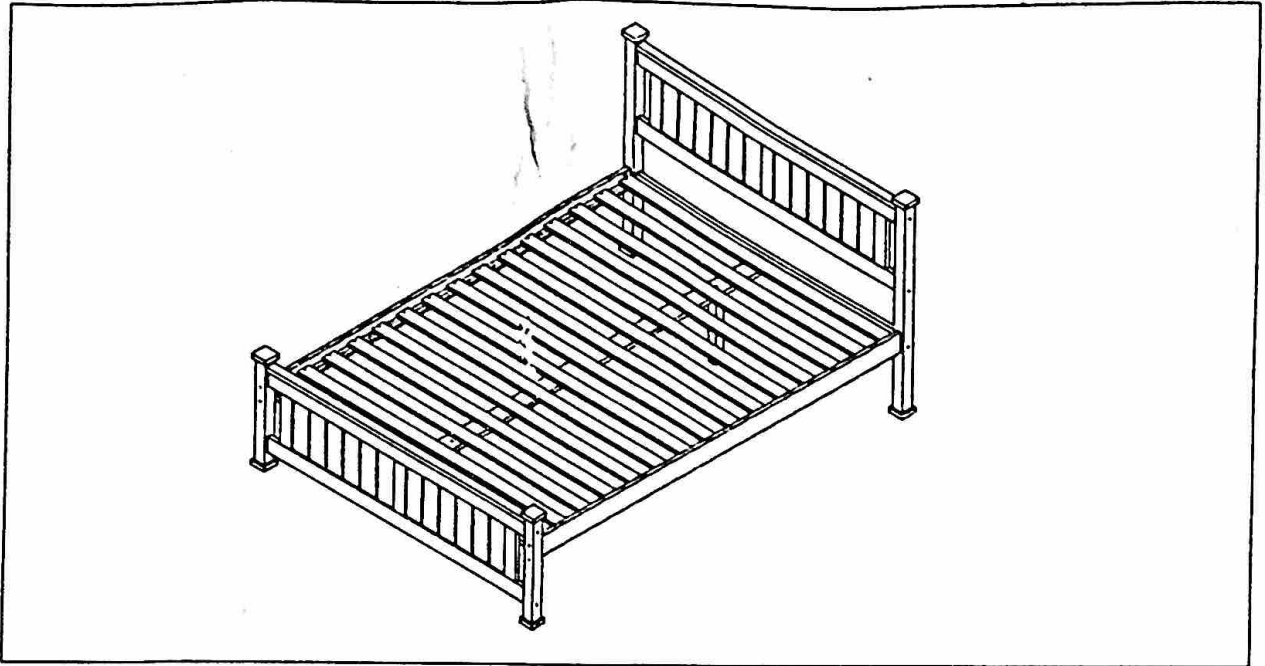









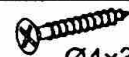
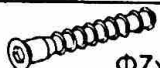


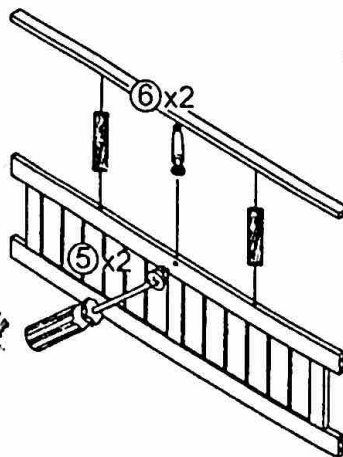
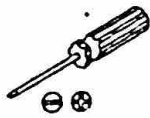
# ASSEMBLY INSTRUCTION






## HARDWARE LIST

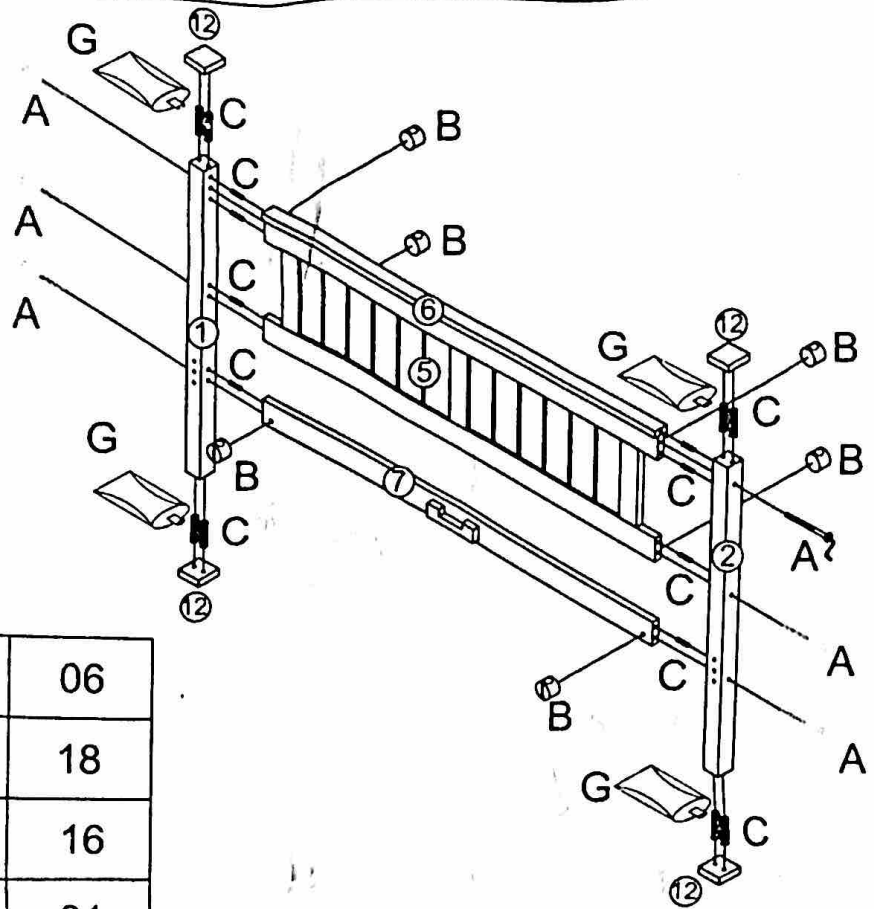
A	  M6x90mm	18	E	 	02
B	 M6	18	F	 $\Phi 4\text{mm}$	01
C	 $\Phi 8 \times 30\text{mm}$	38	G		01
D	  $\Phi 4 \times 30\text{mm}$	34	H	 $\Phi 7 \times 60\text{mm}$	04





### STEP 1



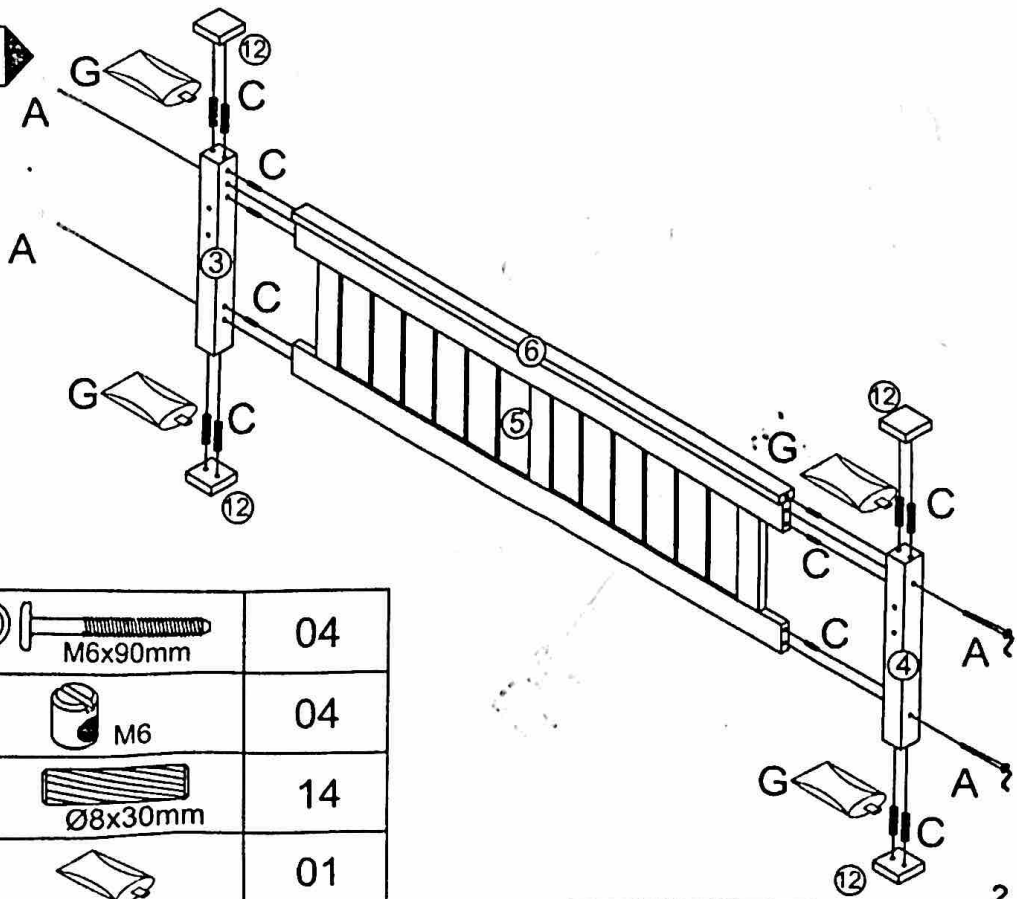
E	 	02
C	 $\Phi 6 \times 30\text{mm}$	04





**STEP 2**



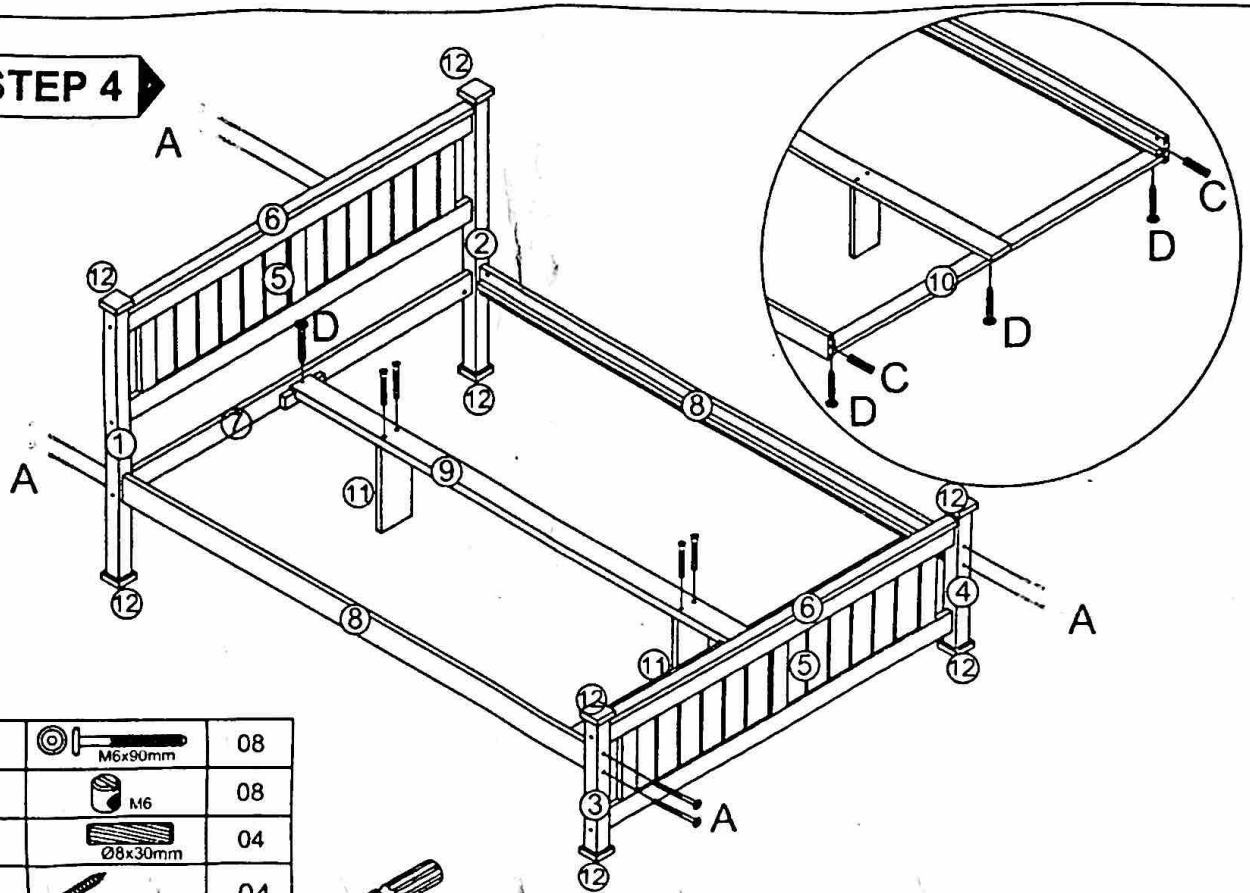
A	 M6x90mm	06
B	 M6	18
C	 Ø8x30mm	16
H		01

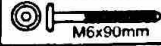



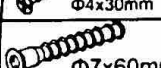
**STEP 3**

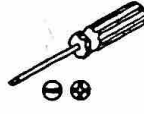


A	 M6x90mm	04
B	 M6	04
C	 Ø8x30mm	14
H		01

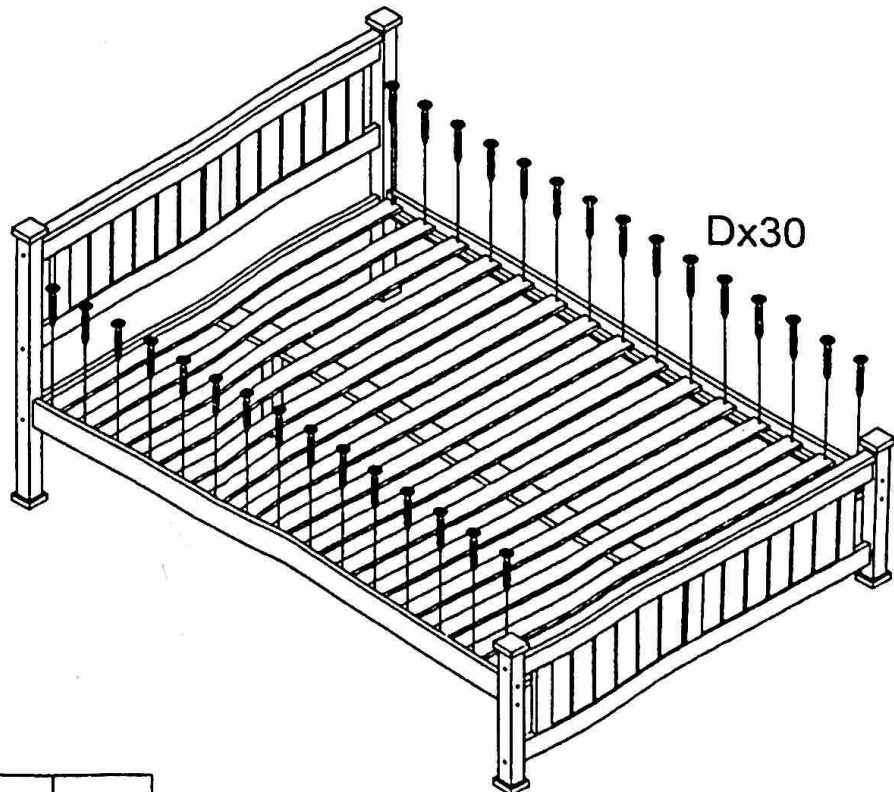
### STEP 4



A		08
B		08
C		04
D		04
H		04



### STEP 5



D		30
---	---	----