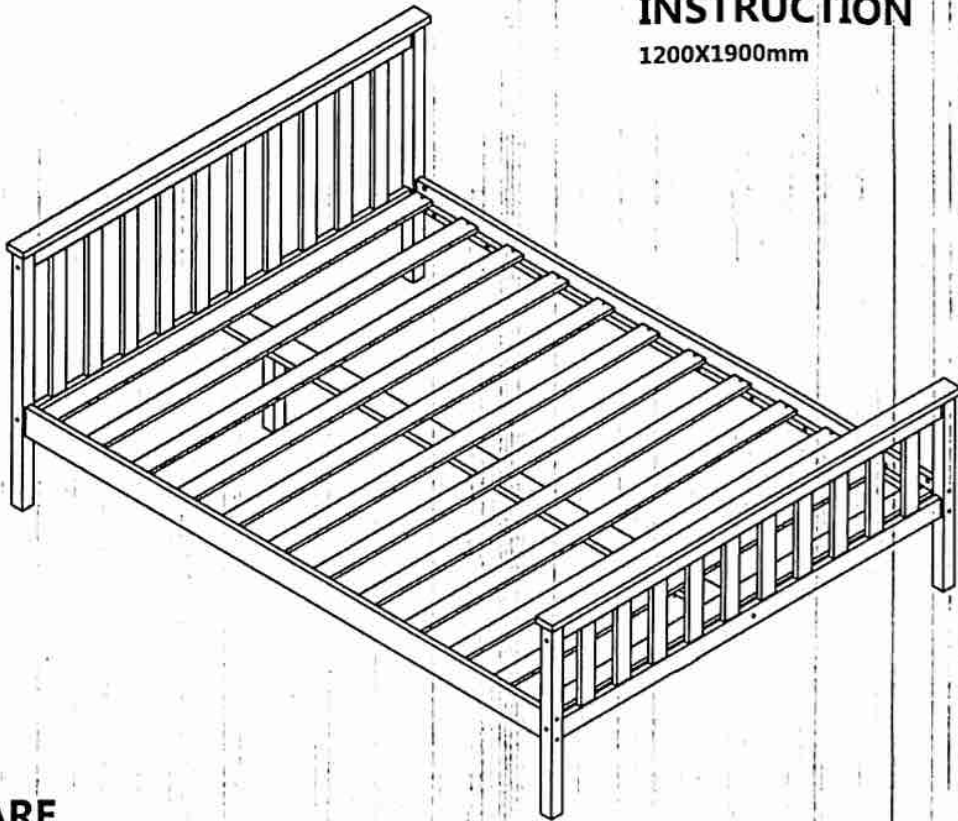







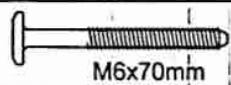

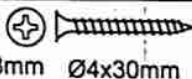
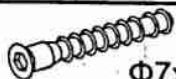
INSTRUCTION

1200X1900mm

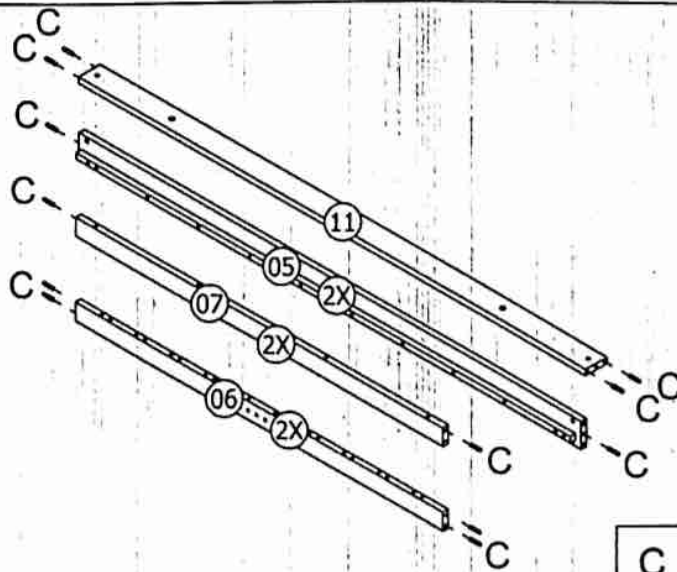


HARDWARE

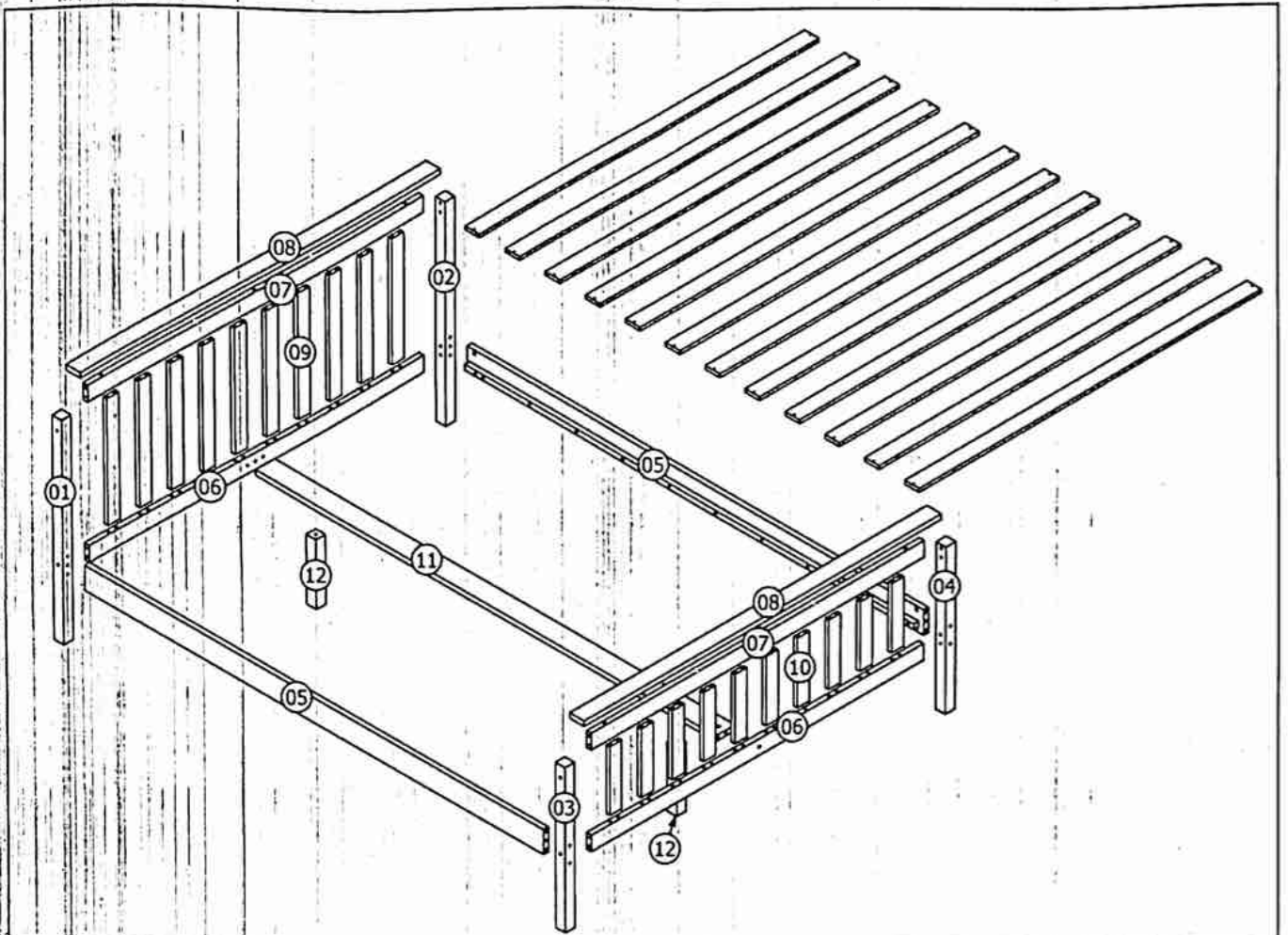
A	 	16
B		18
C		84

E	 	08
F		01
G		30
H		04

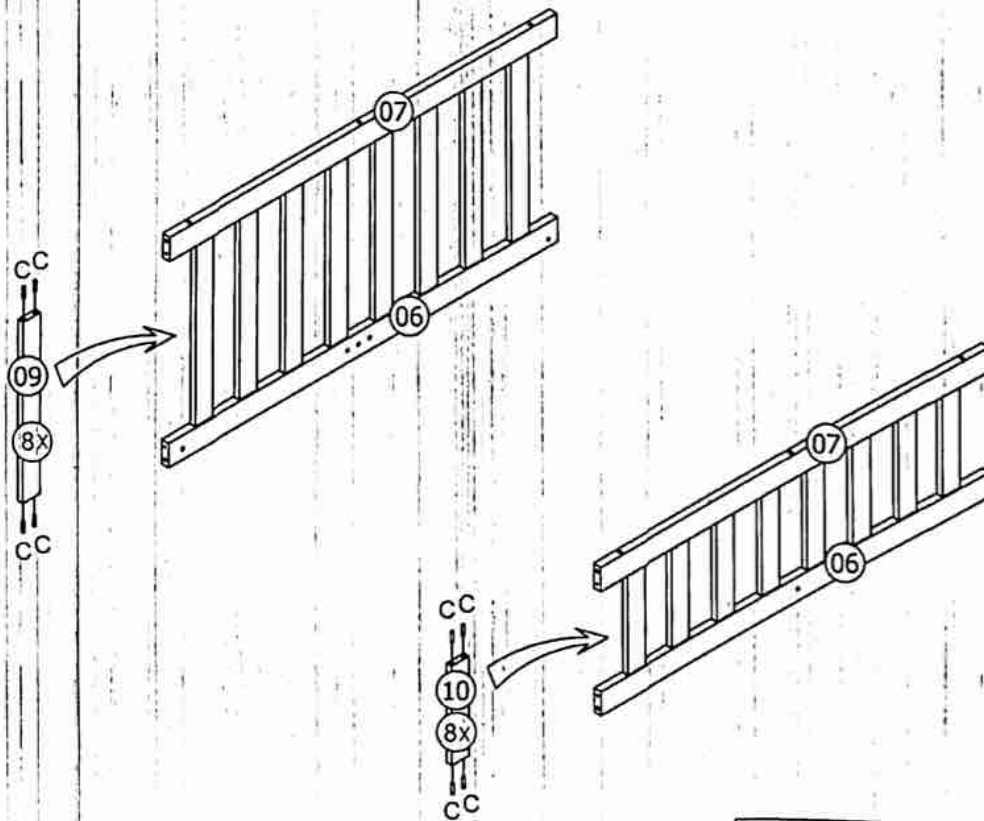
01




C		20
---	---	----

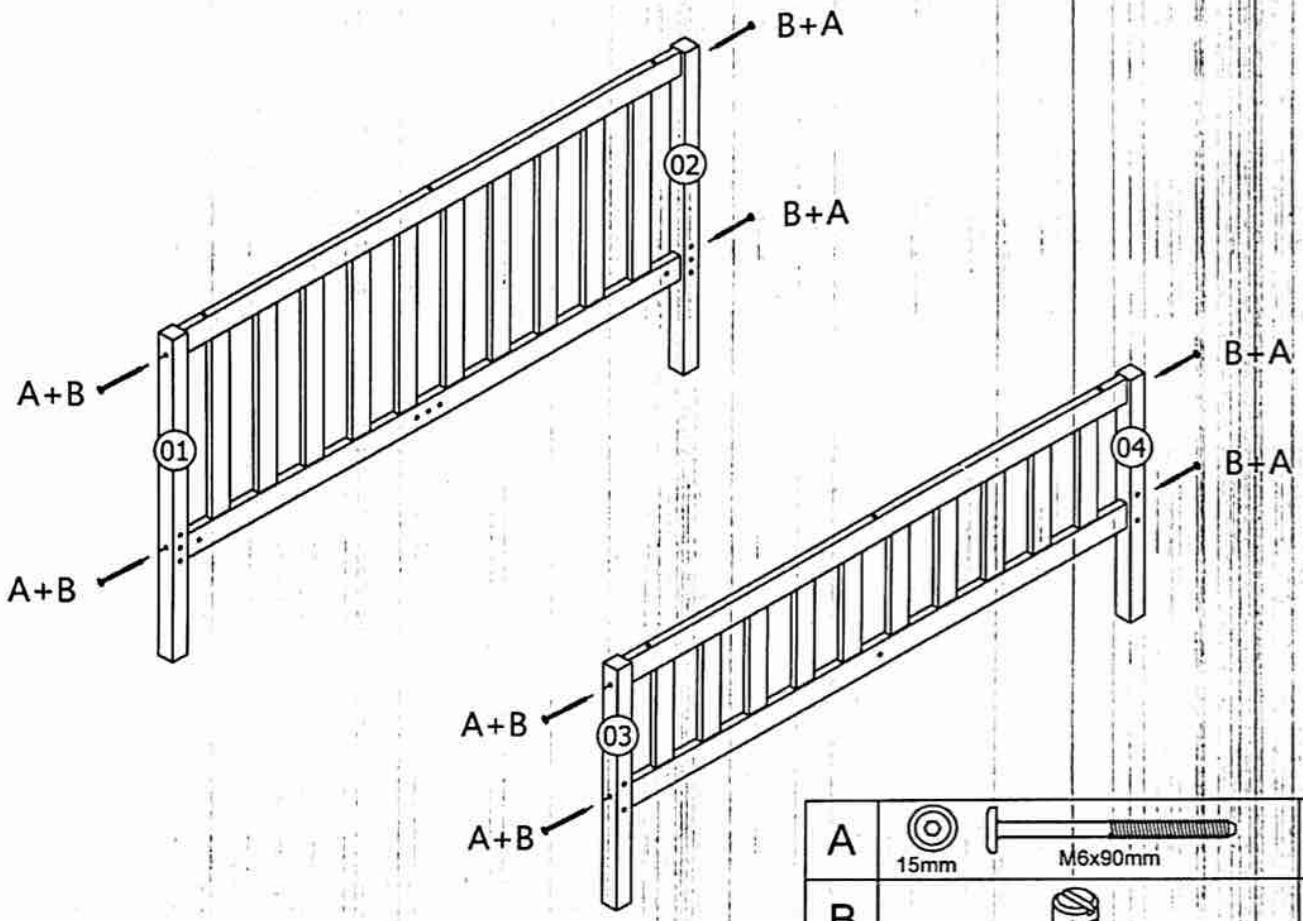



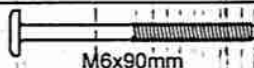

02



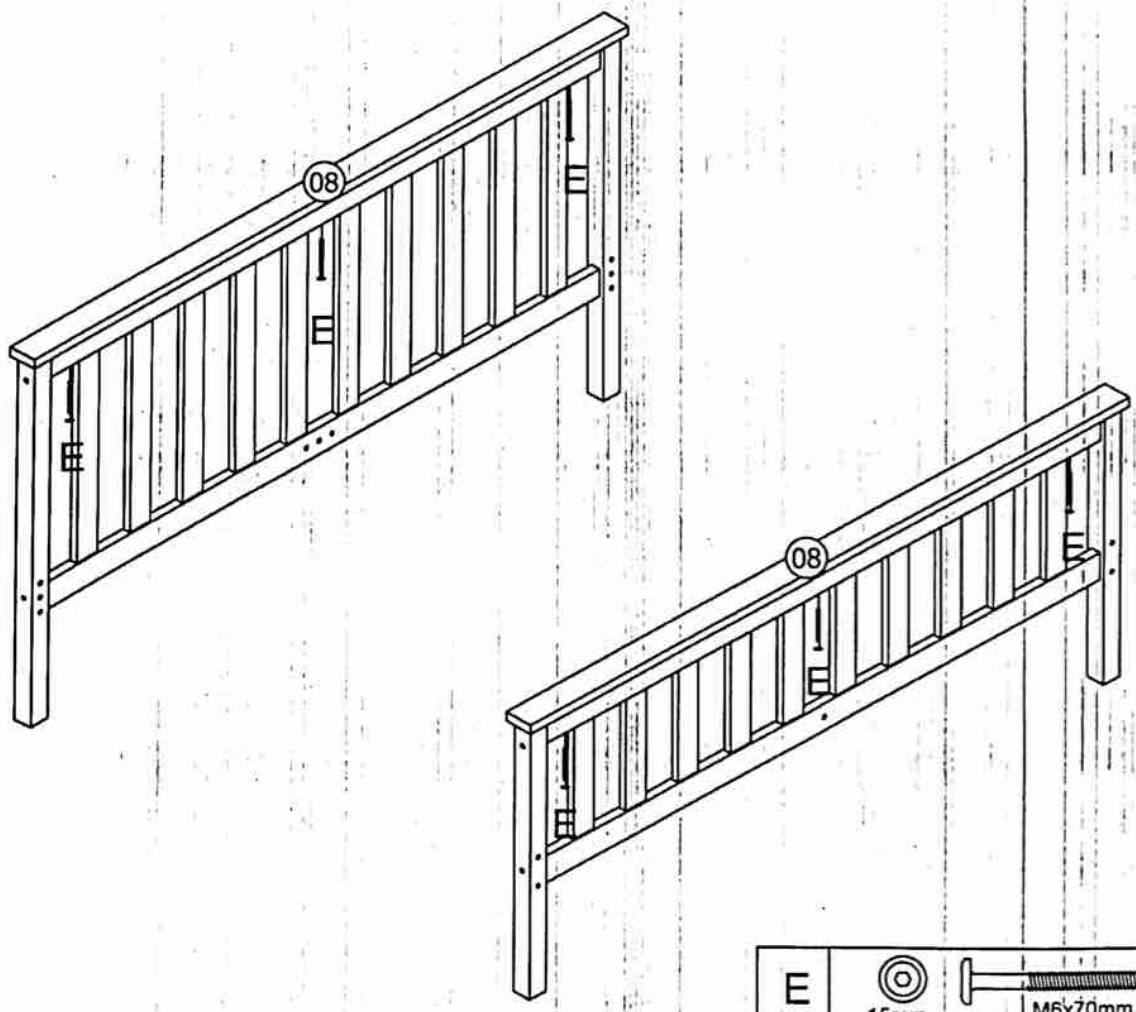
C		64
	Ø8x30mm	


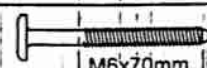
03



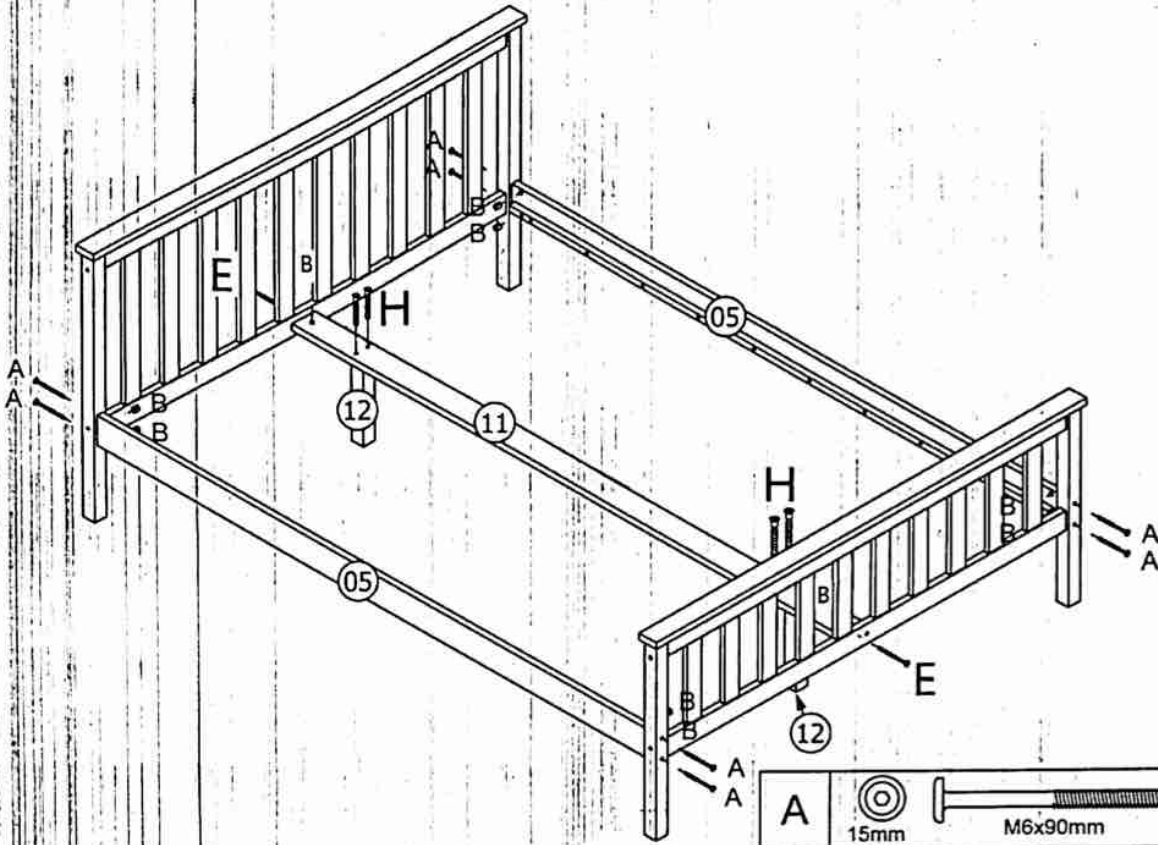
A			08
B			08






04




E			06
---	---	---	----

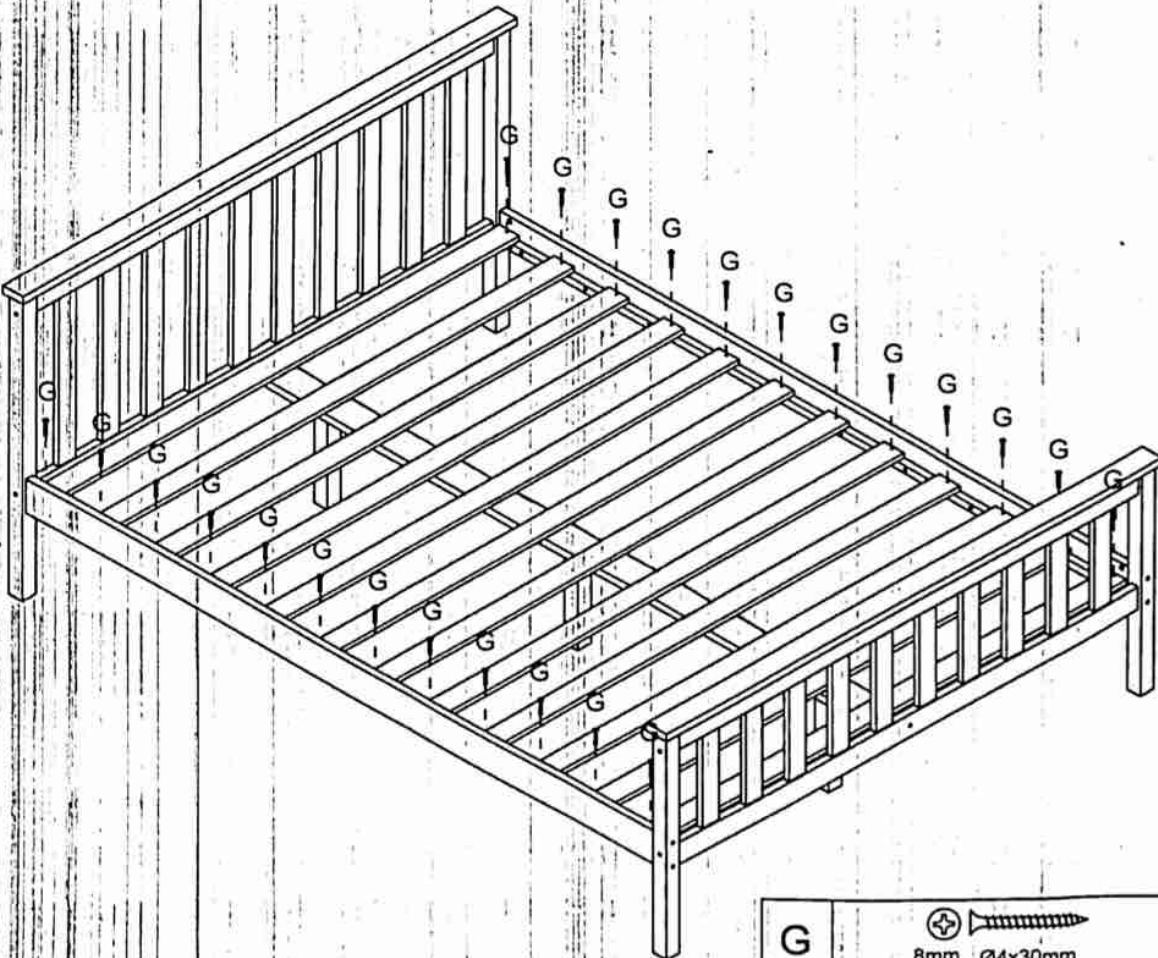
05

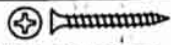


A	 15mm	 M6x90mm	08
B			10
E	 15mm	 M6x 70mm	02

H	 $\Phi 7 \times 60 \text{mm}$	04
---	--	----

06



G	 8mm $\Phi 4 \times 30 \text{mm}$	30
---	--	----