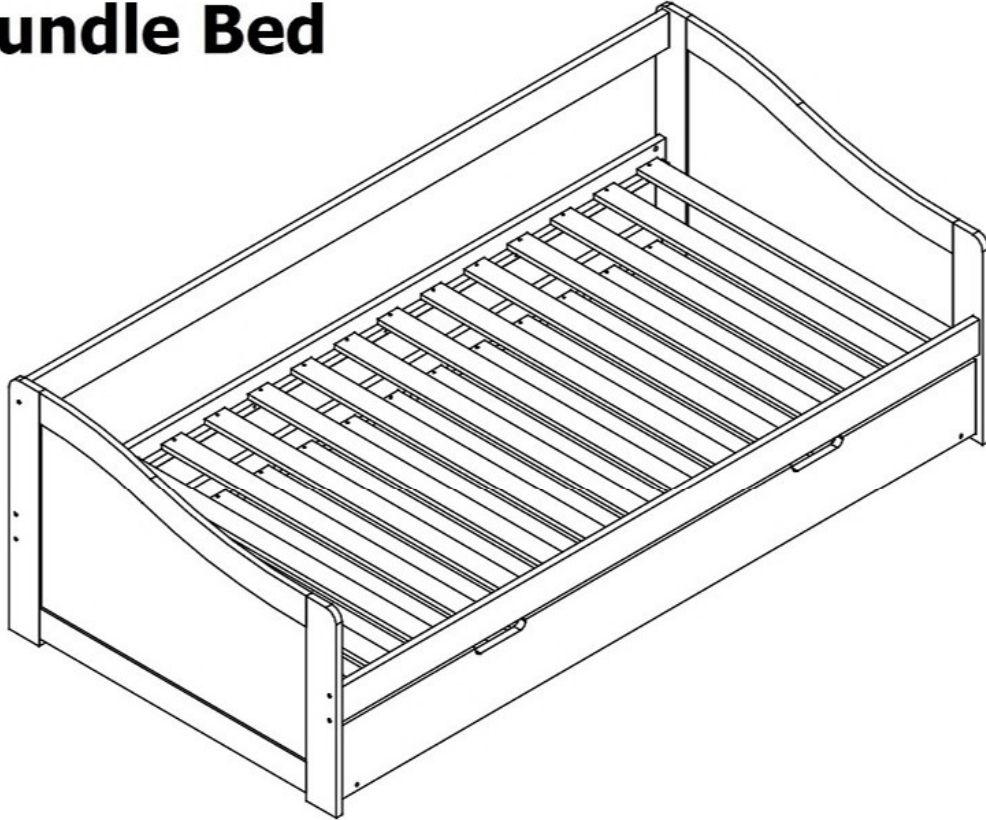

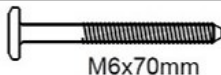





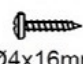




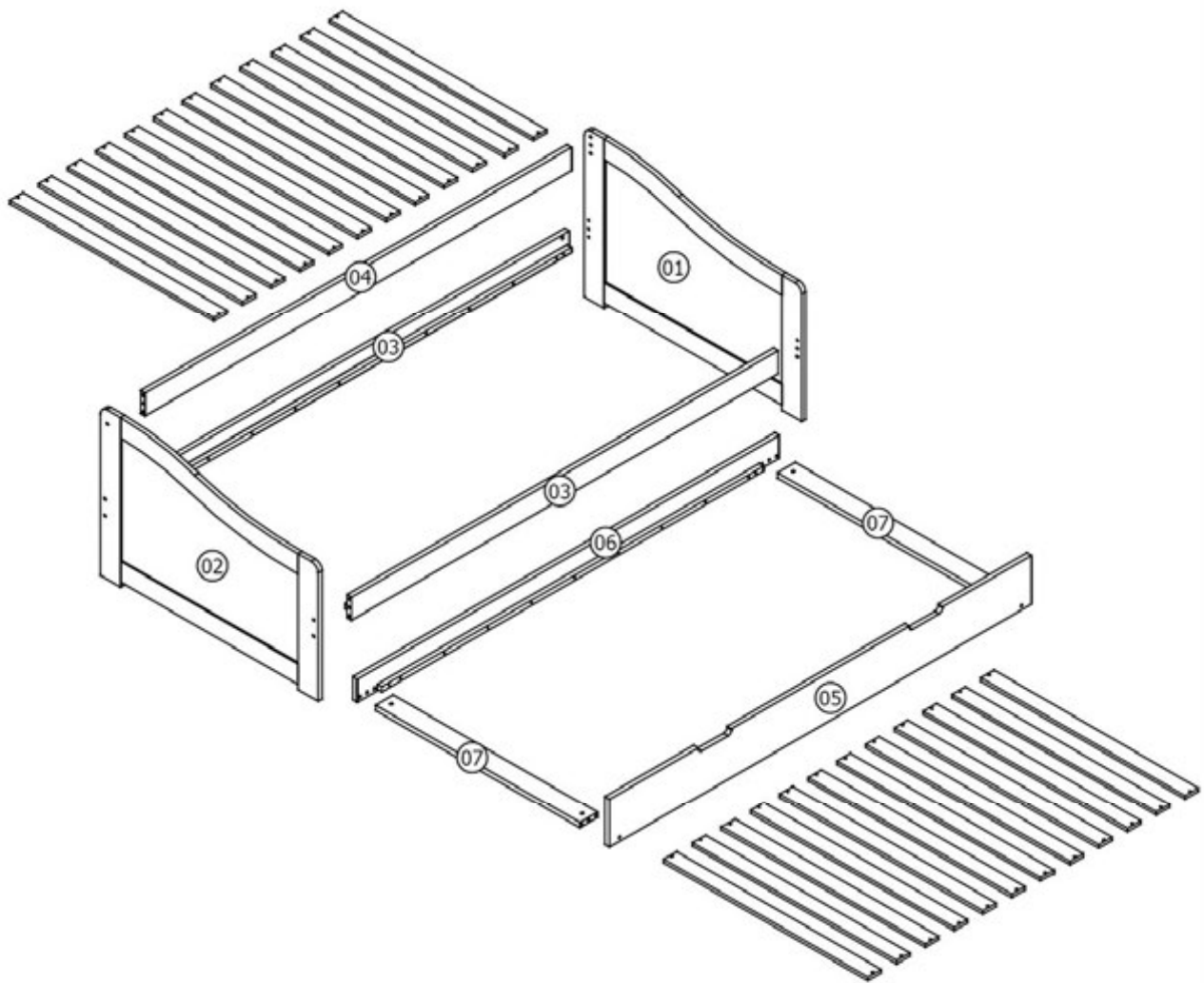
# Trundle Bed



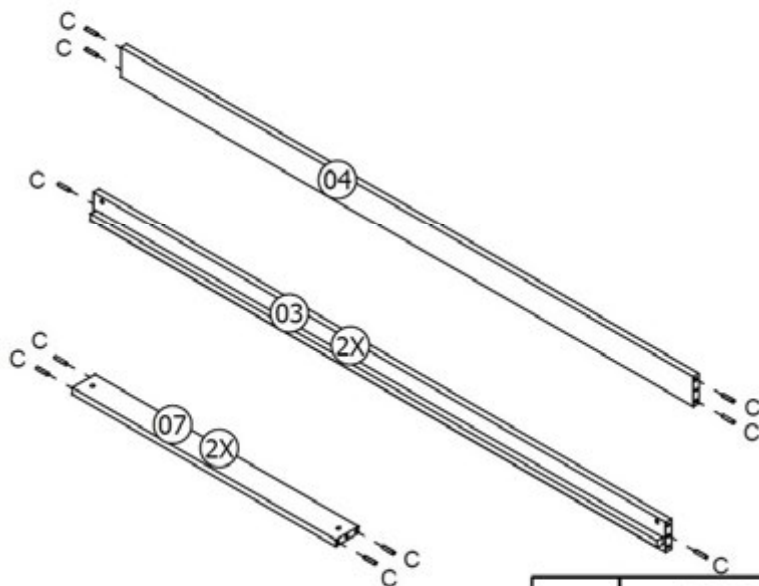
## HARDWARE


A	 15mm	 M6x70mm	14
B			14
C	 Ø8x30mm		16
D			01

E			04
F	 7mm	 Ø4x16mm	08
G	 8mm	 Ø4x30mm	48

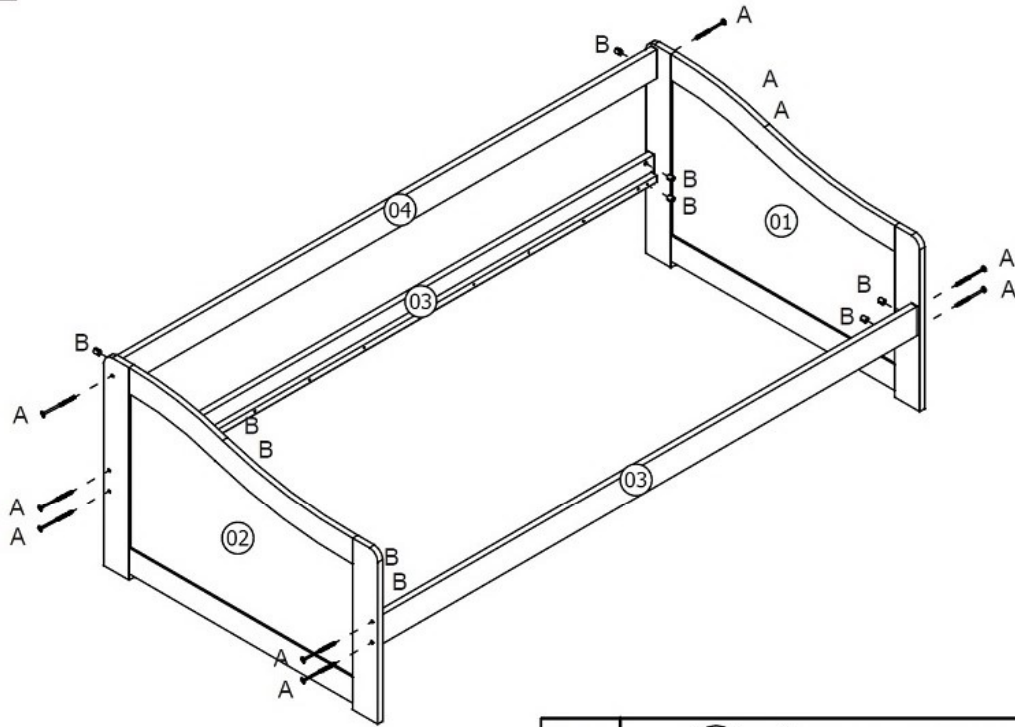





**01**



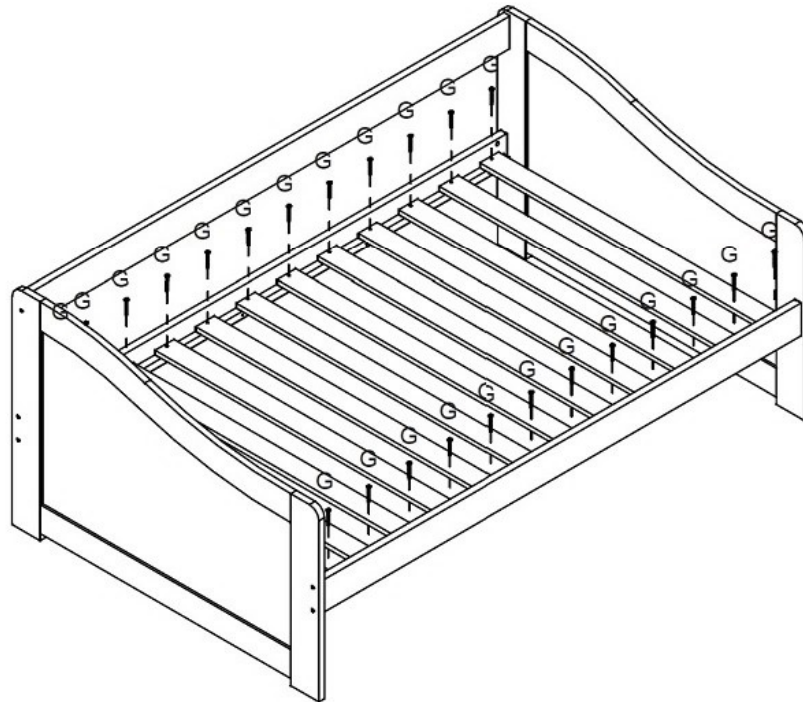
L	 Ø8x30mm	16
---	--	----

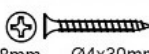
# 02



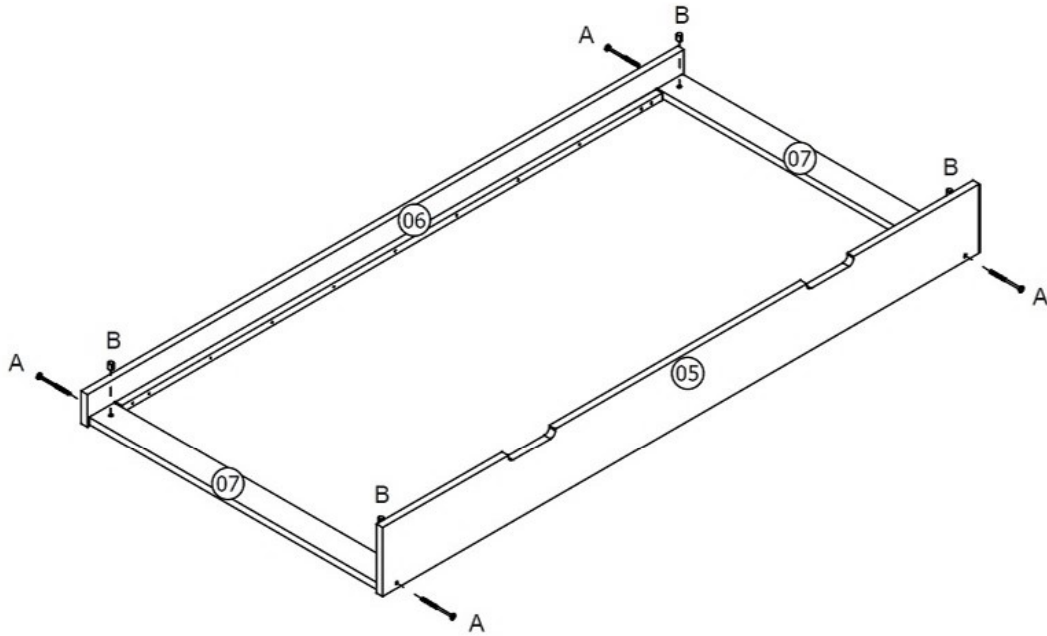
A	 15mm	 M6x70mm	10
B			10


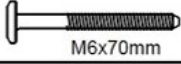

# 03



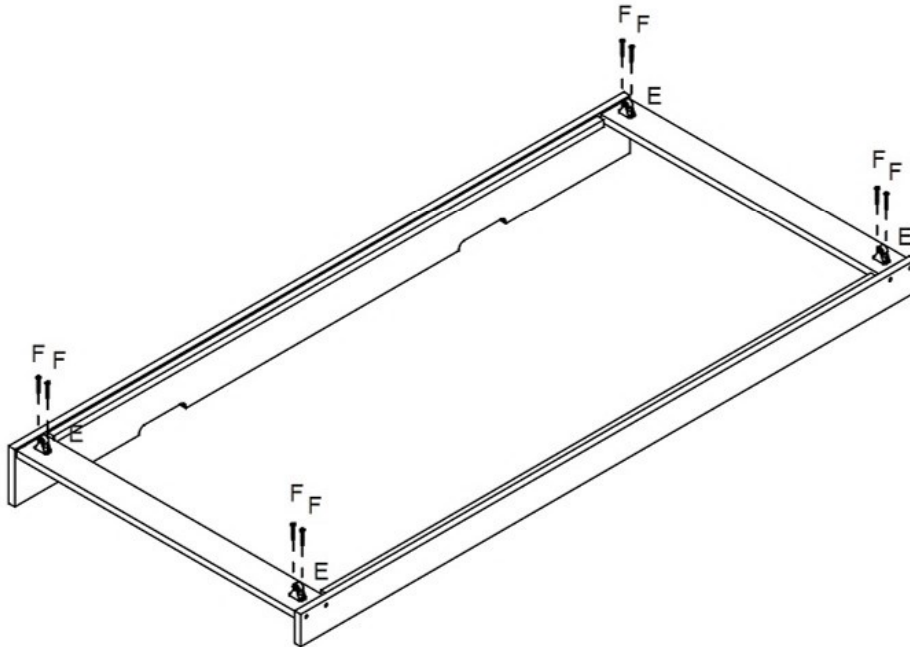
G	 8mm Ø4x30mm	24
---	---	----



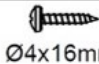
# 04



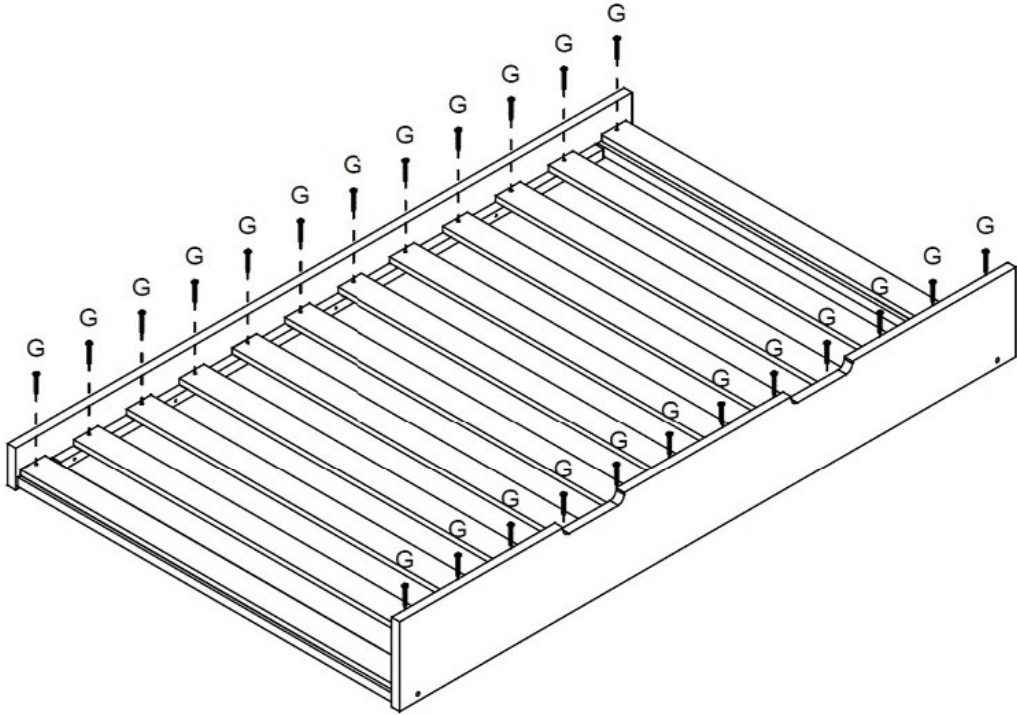
A	 	04
B		04


# 05



E		04
F	 	08

# 06



G	 8mm Ø4x30mm	24
---	---	----

# 07

