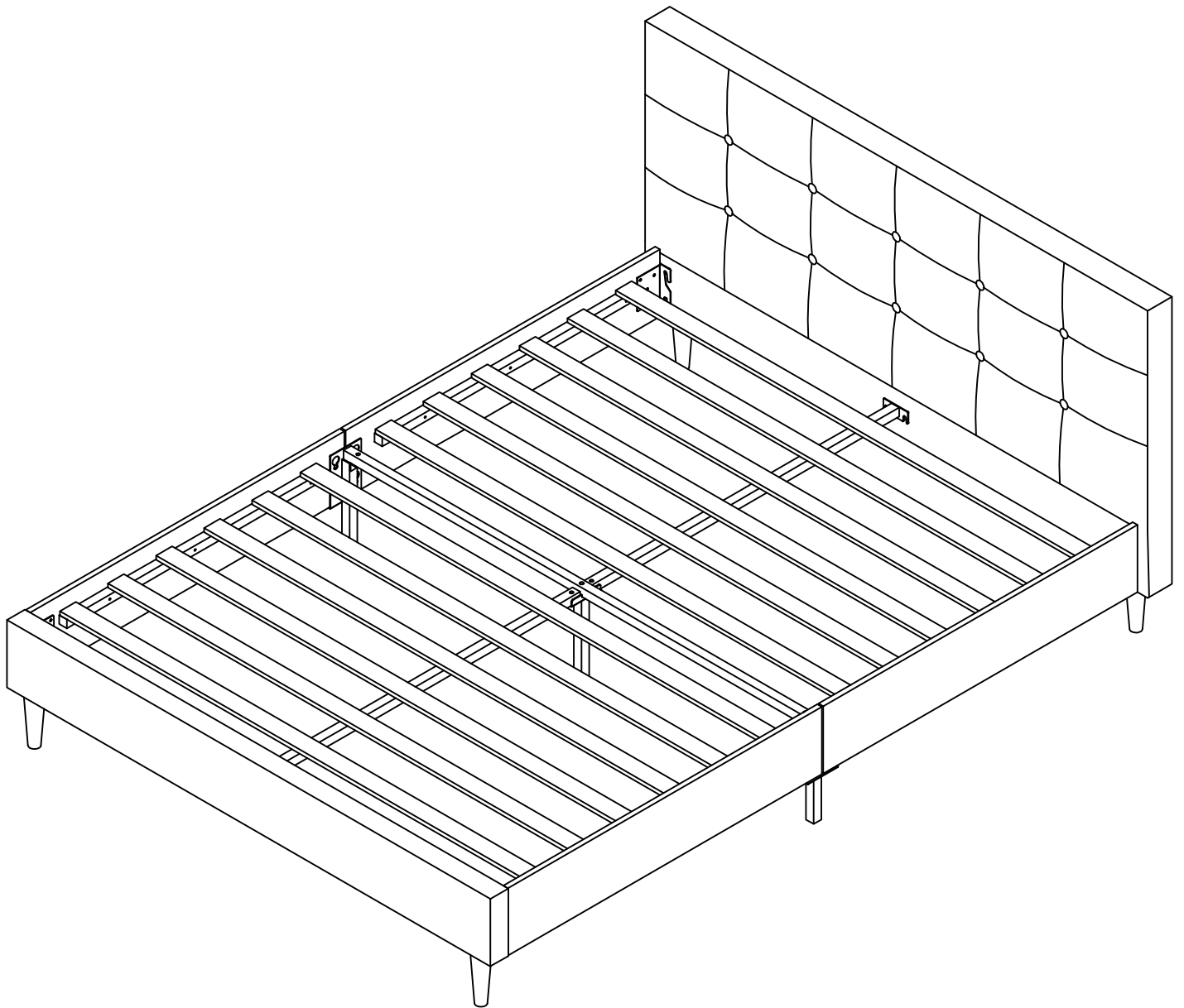


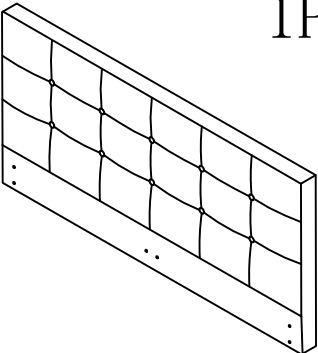
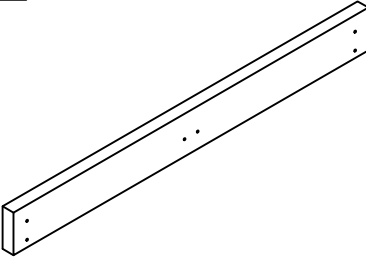
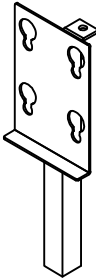
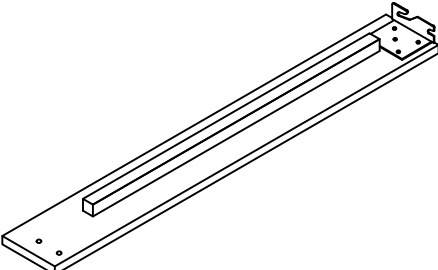
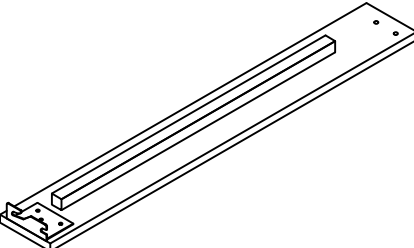
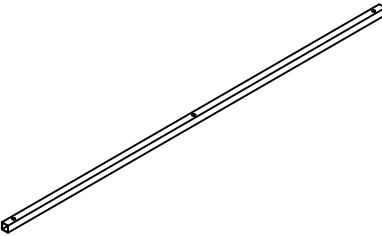
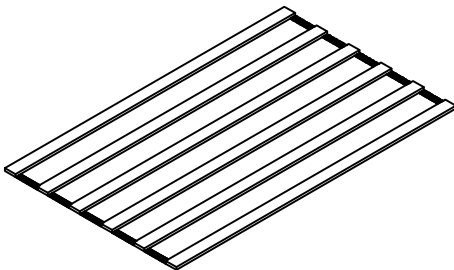
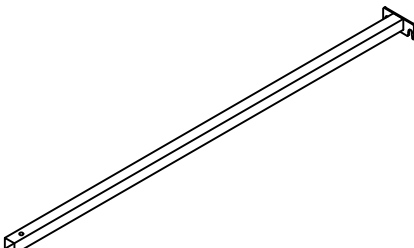
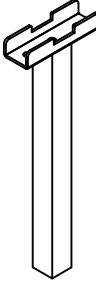
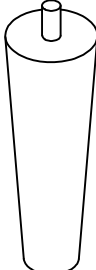
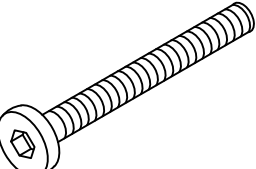
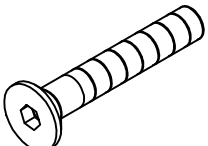
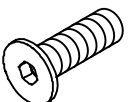
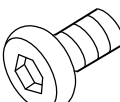
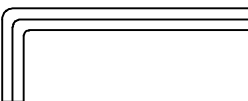
Assembly Instruction

Before starting assembly, please check if you have all the parts listed, if you find something missing, do not continue with assembly, please contact us immediately.

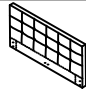
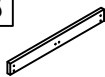

NOTE: When assembling, please do not fully tighten the screws one by one before ensuring that all corresponding screws are in the correct position.

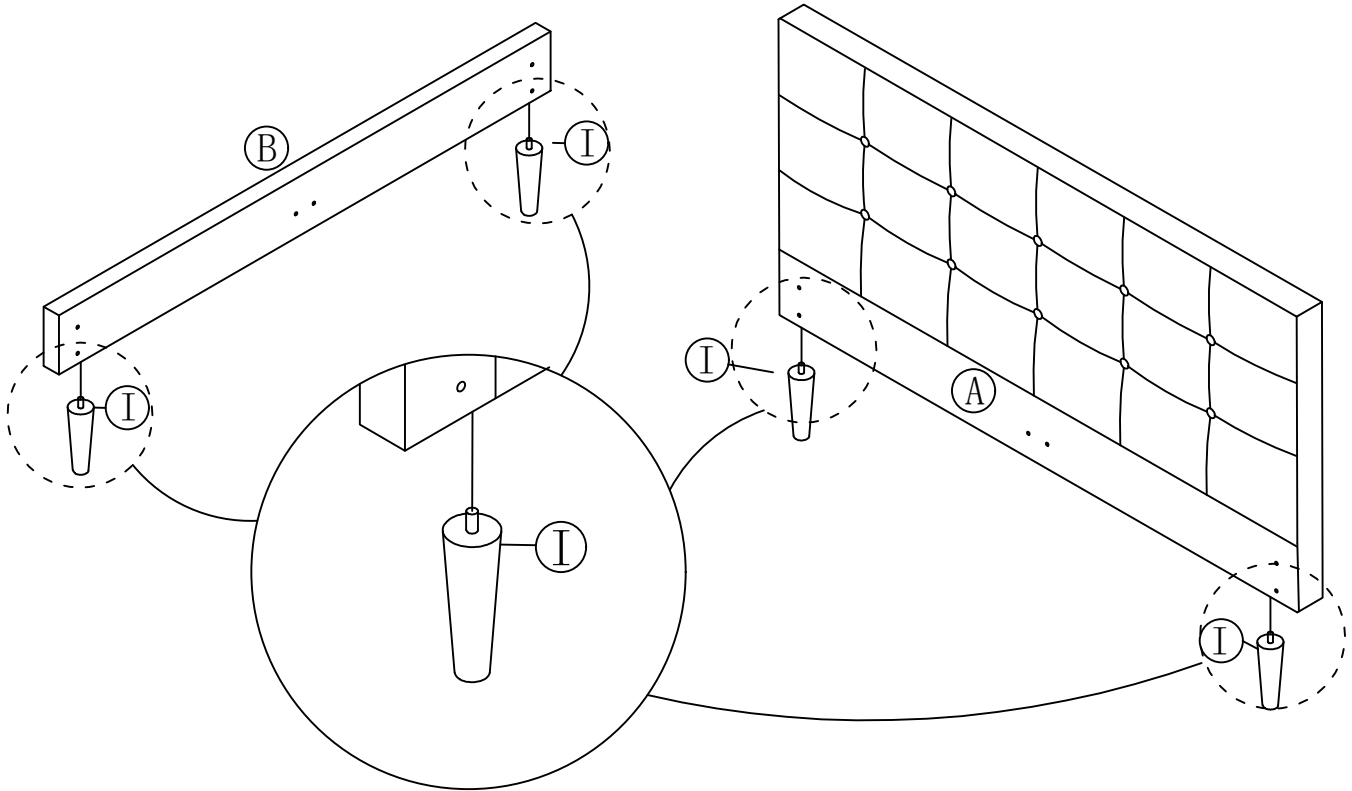
All parts are numbered for easy assembly. If you have any questions please feel free to contact us.




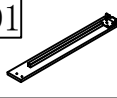
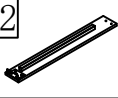

<p>A</p>  <p>1PC</p>	<p>B</p>  <p>1PC</p>	<p>C</p>  <p>2PCS</p>	
<p>D1</p>  <p>2PCS</p>	<p>D2</p>  <p>2PCS</p>	<p>E</p>  <p>1PC</p>	
<p>F</p>  <p>2PCS</p>	<p>G</p>  <p>2PCS</p>	<p>H</p>  <p>1PC</p>	
<p>I</p>  <p>4PCS</p>	<p>K</p>  <p>1PC</p> <p>M8*50mm</p>	<p>L</p>  <p>4PCS</p> <p>M8*40mm</p>	<p>M</p>  <p>12PCS</p> <p>M8*25mm</p>
<p>N</p>  <p>8PCS</p> <p>M8*18mm</p>	<p>O</p>  <p>1PC</p> <p>M8</p>		
<p>2 OF 6</p>			

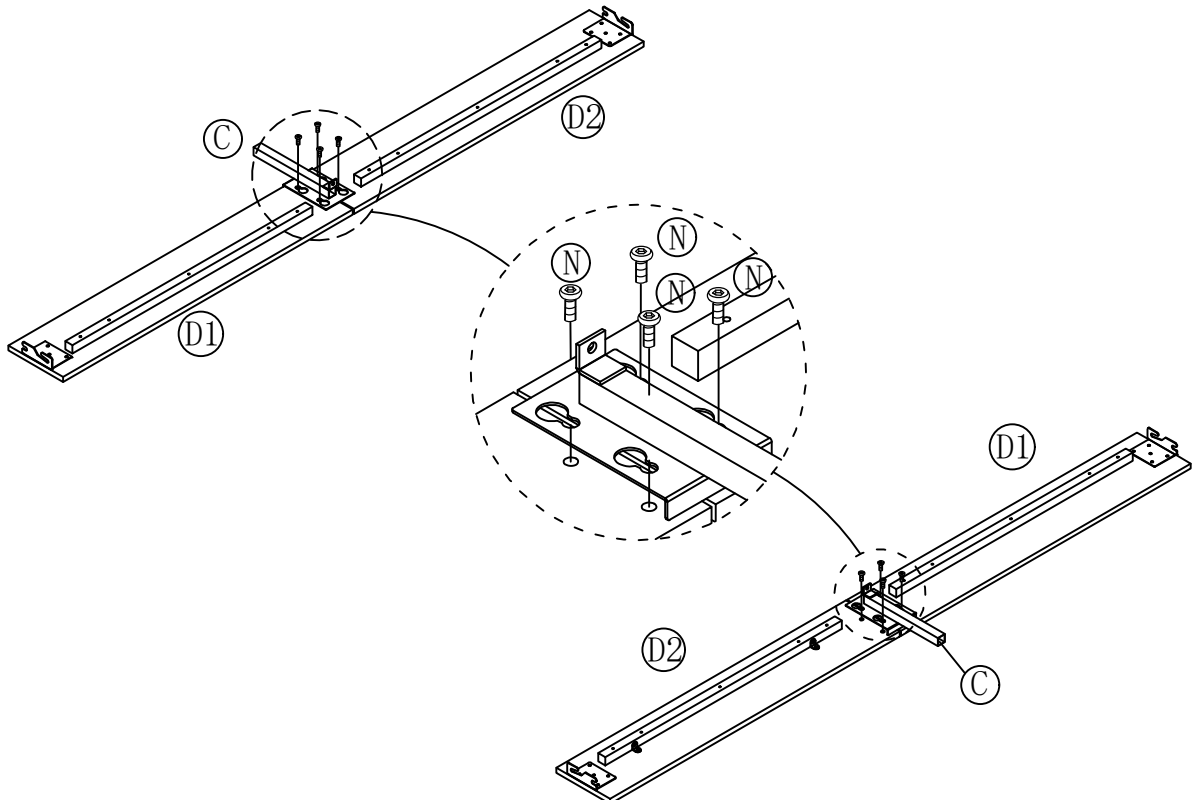
step1

A		B		I	
	1PC		1PC		4PCS


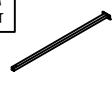
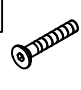


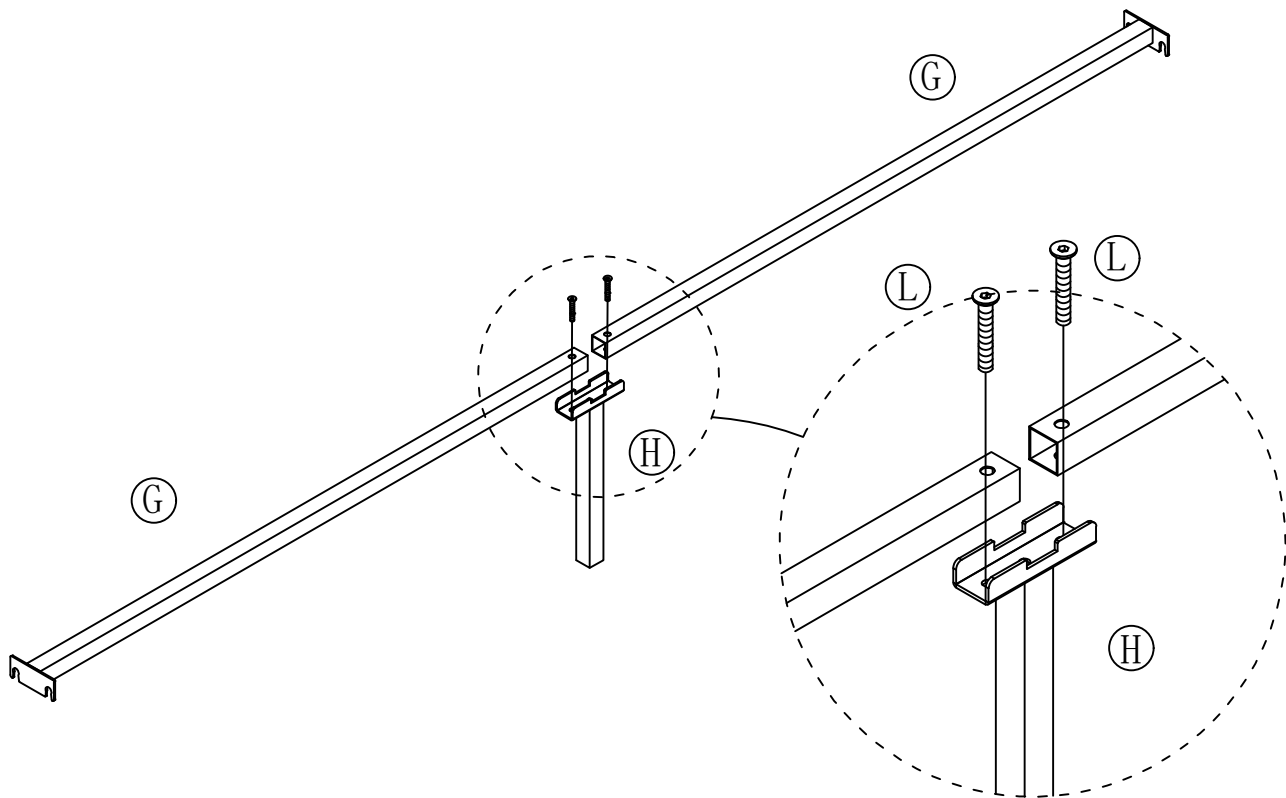
step2

C		D1		D2		N	
	2PCS		2PCS		2PCS		8PCS

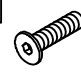


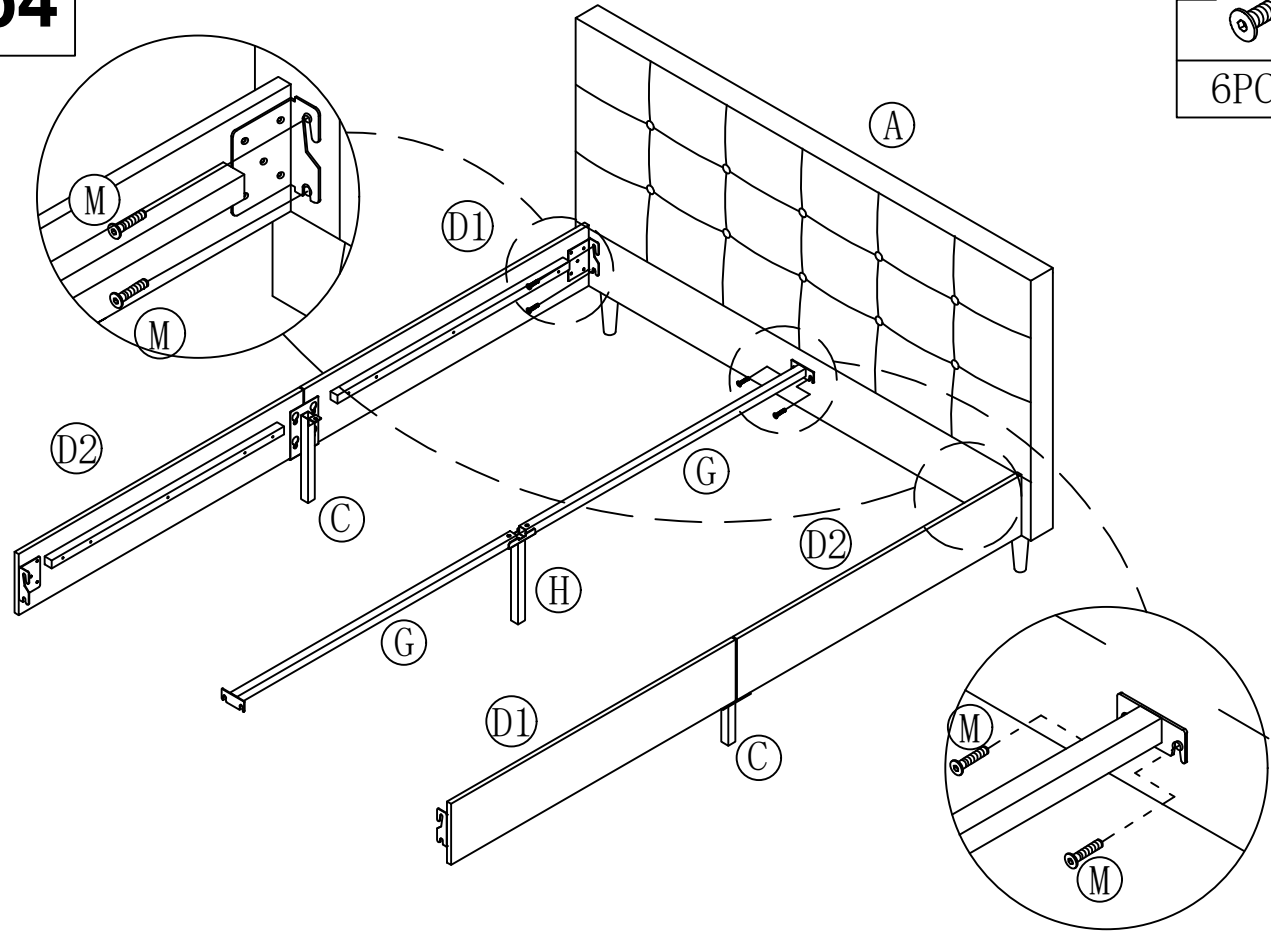
step3

H		G		L	
1PC		2PCS		2PCS	



step4

M	
6PCS	

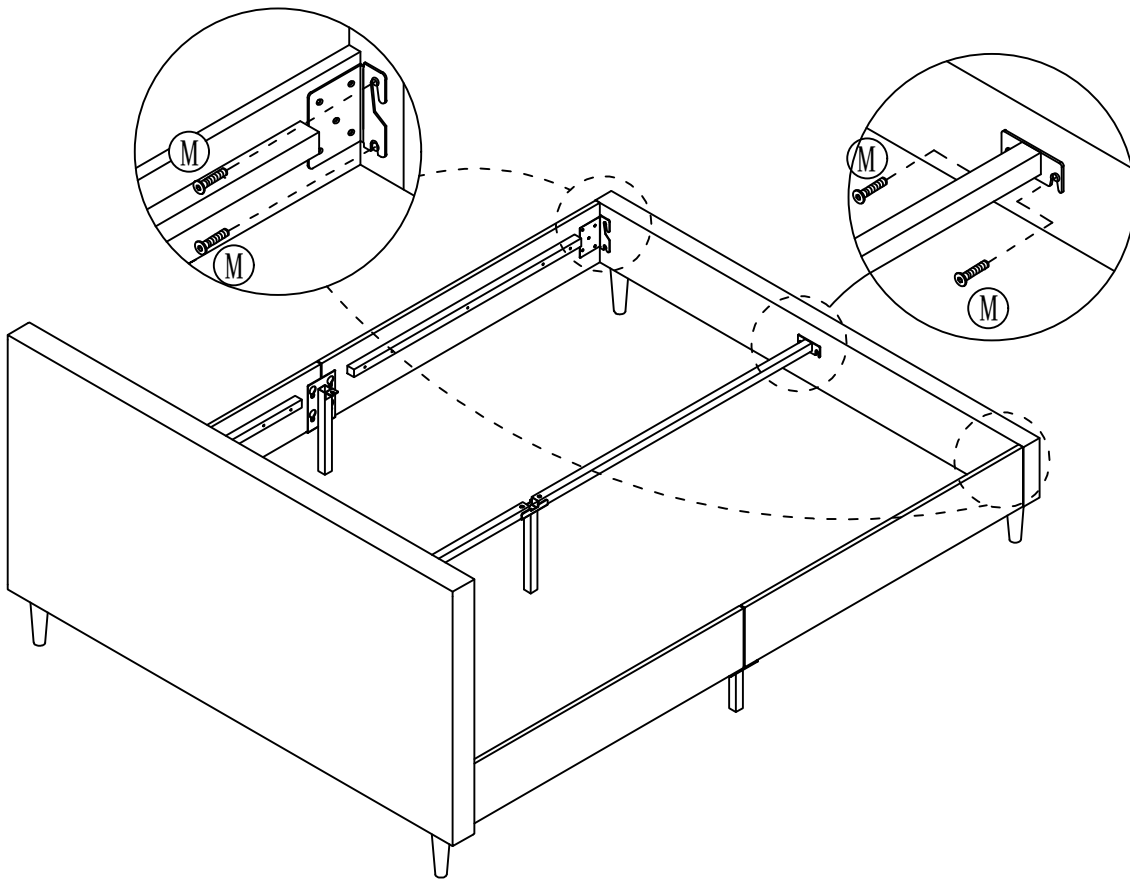


step5

M



6PCS



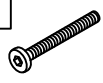
step6

E



1PC

K

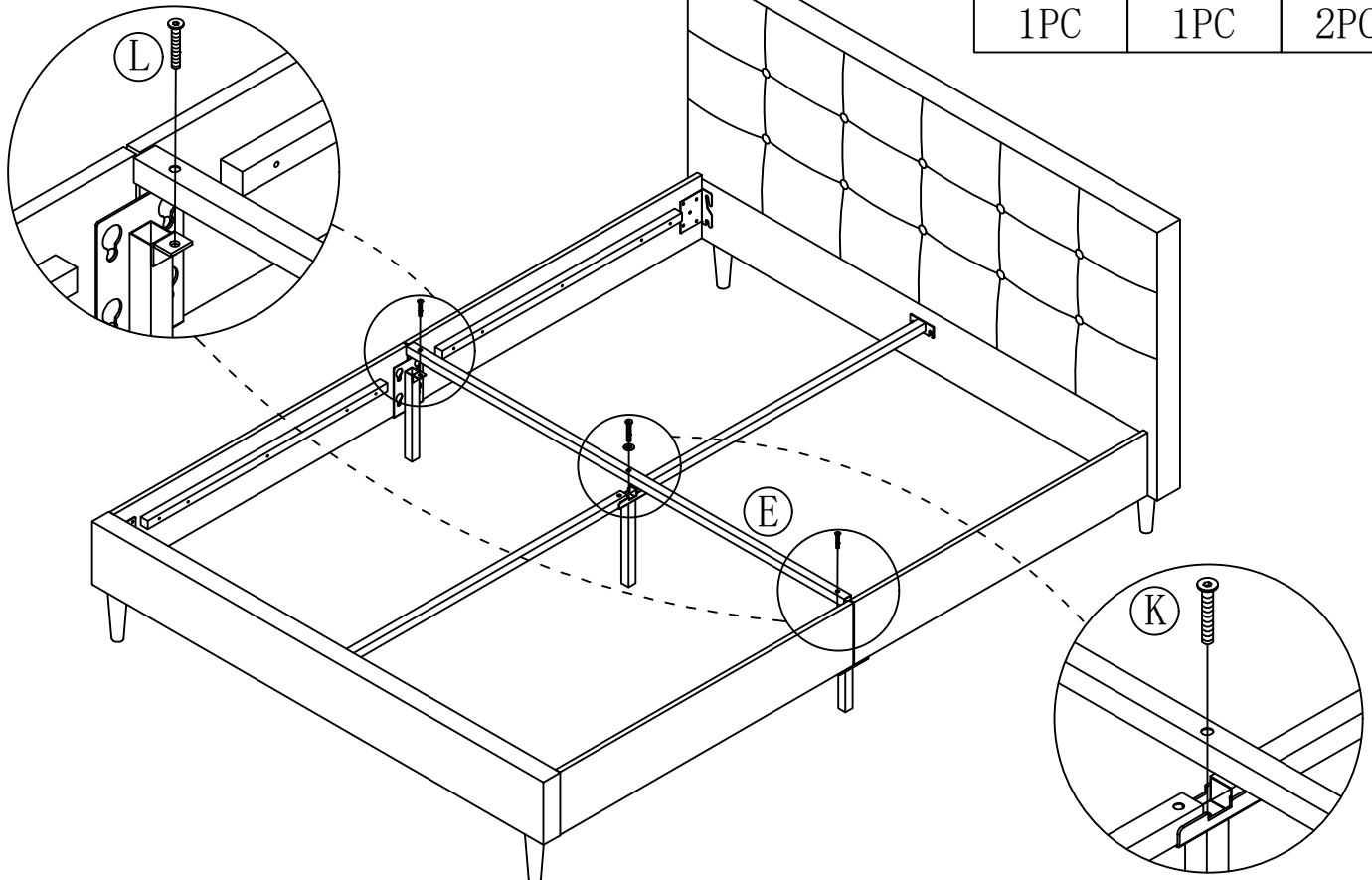


1PC

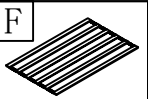
L



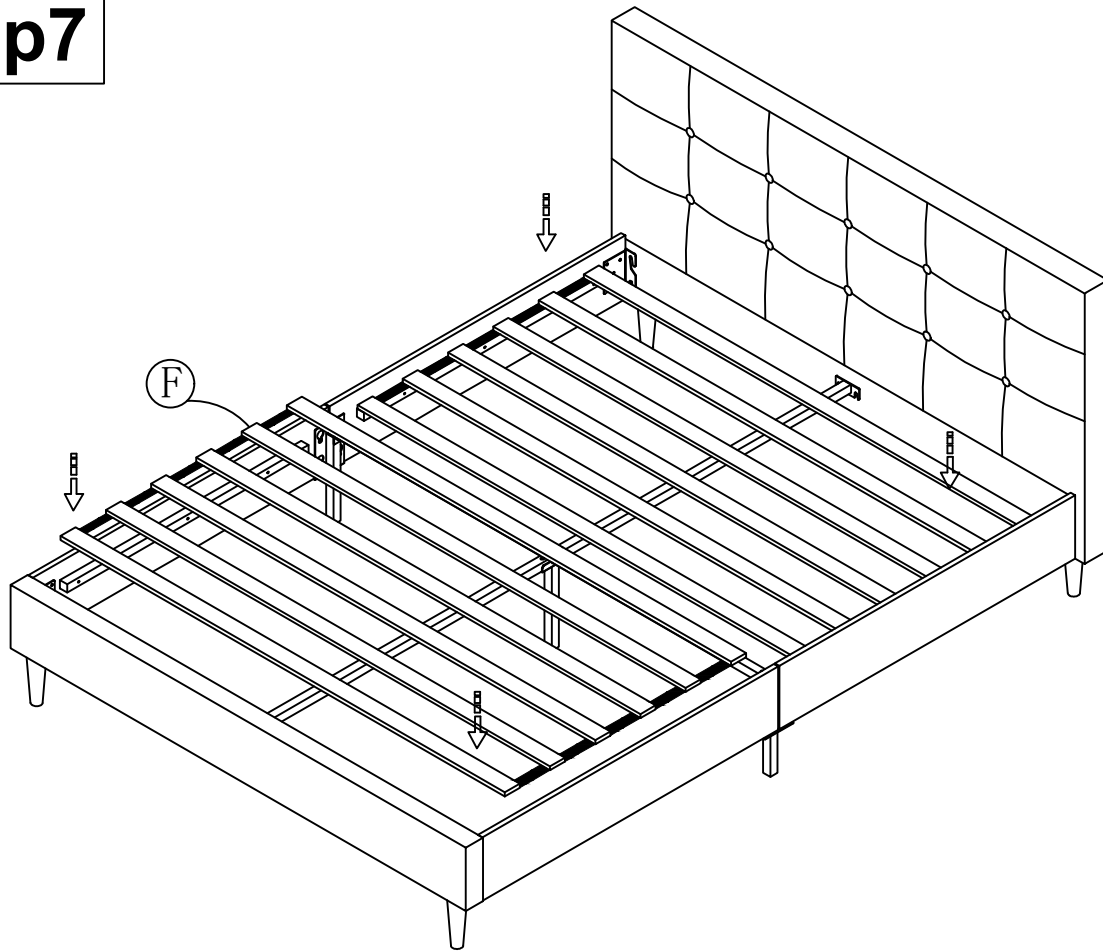
2PCS



step7



2PCS



step8

