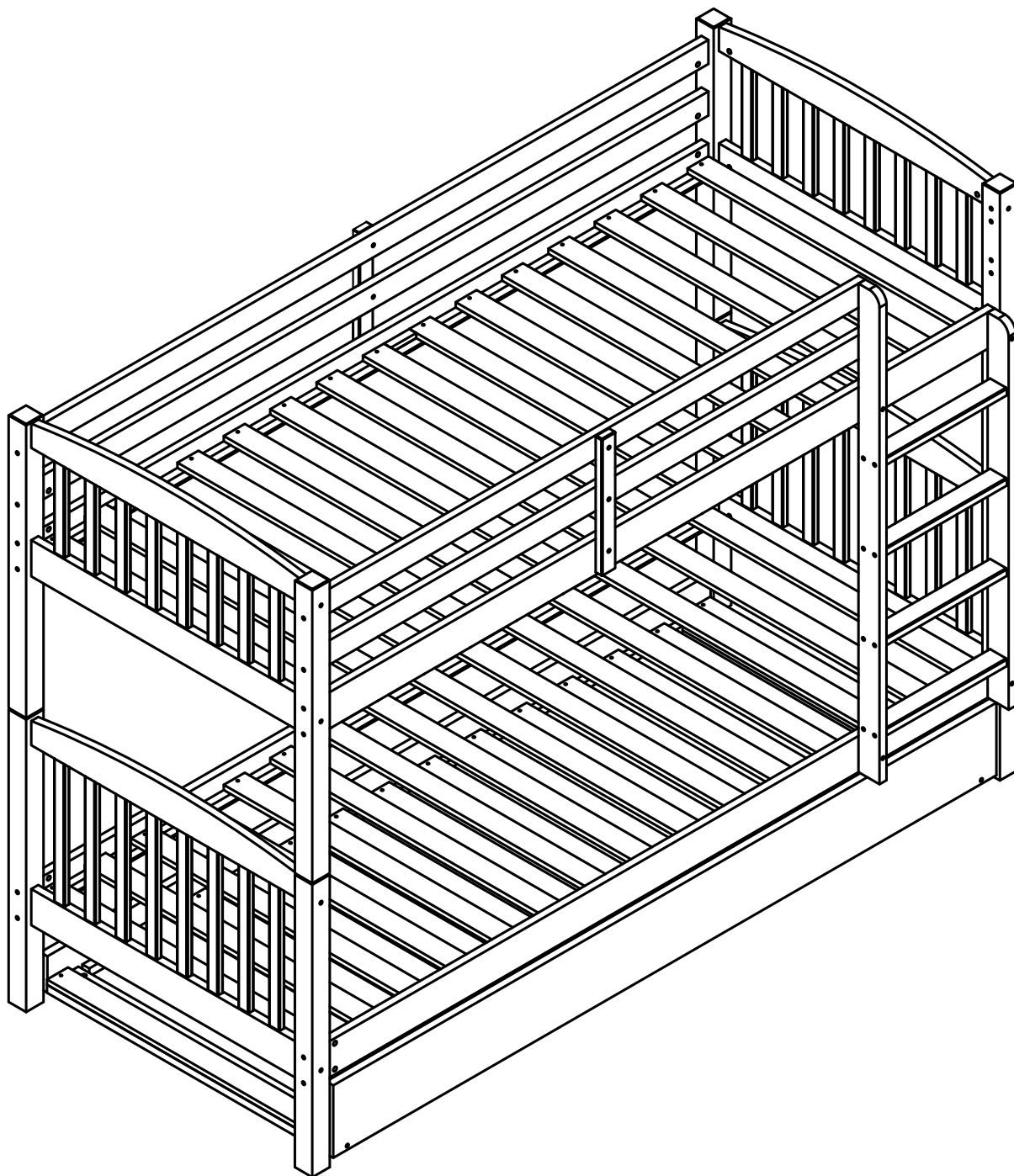

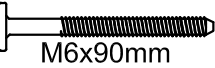



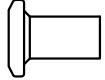









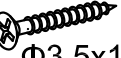


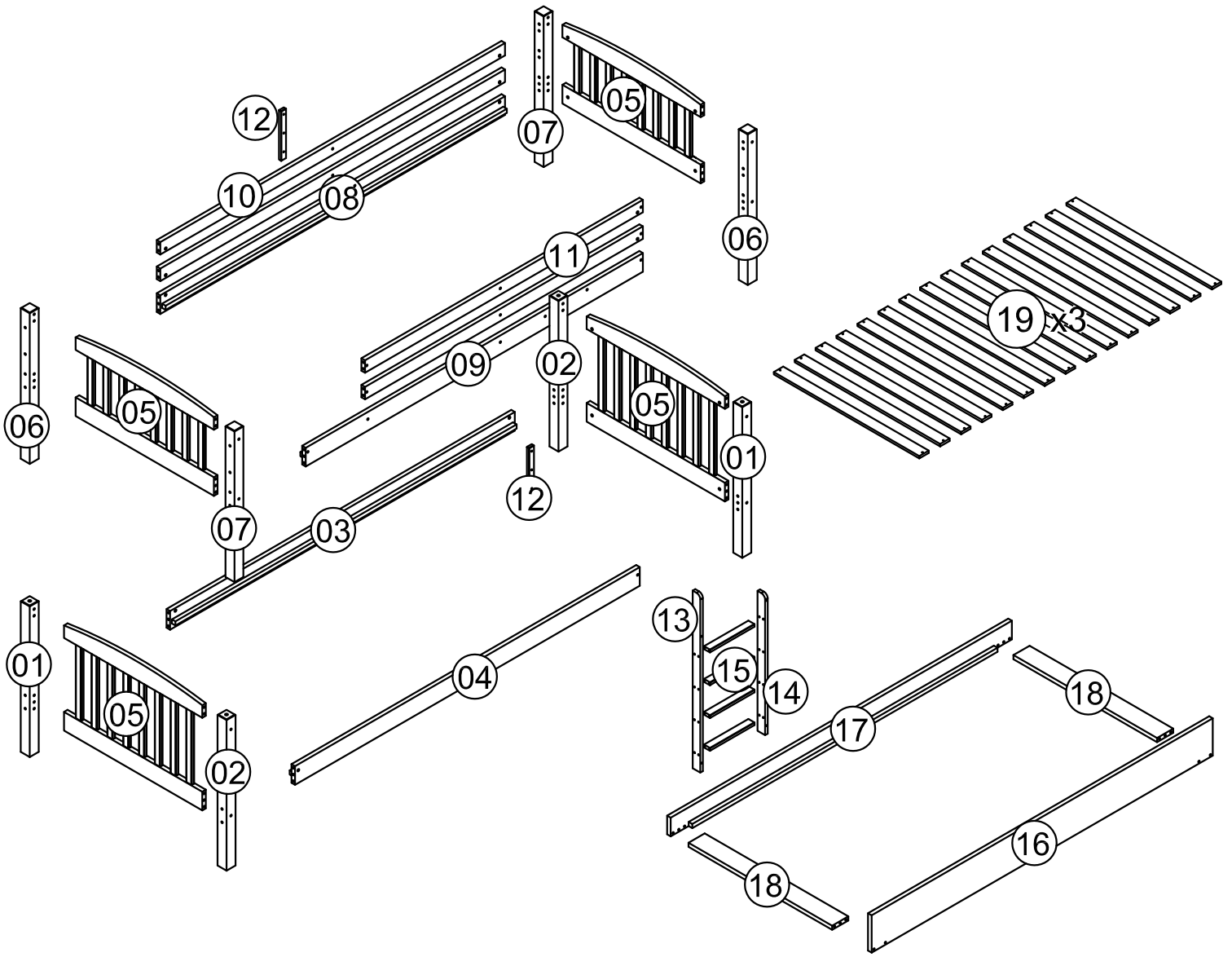
Assemble Instruction



Hardware List

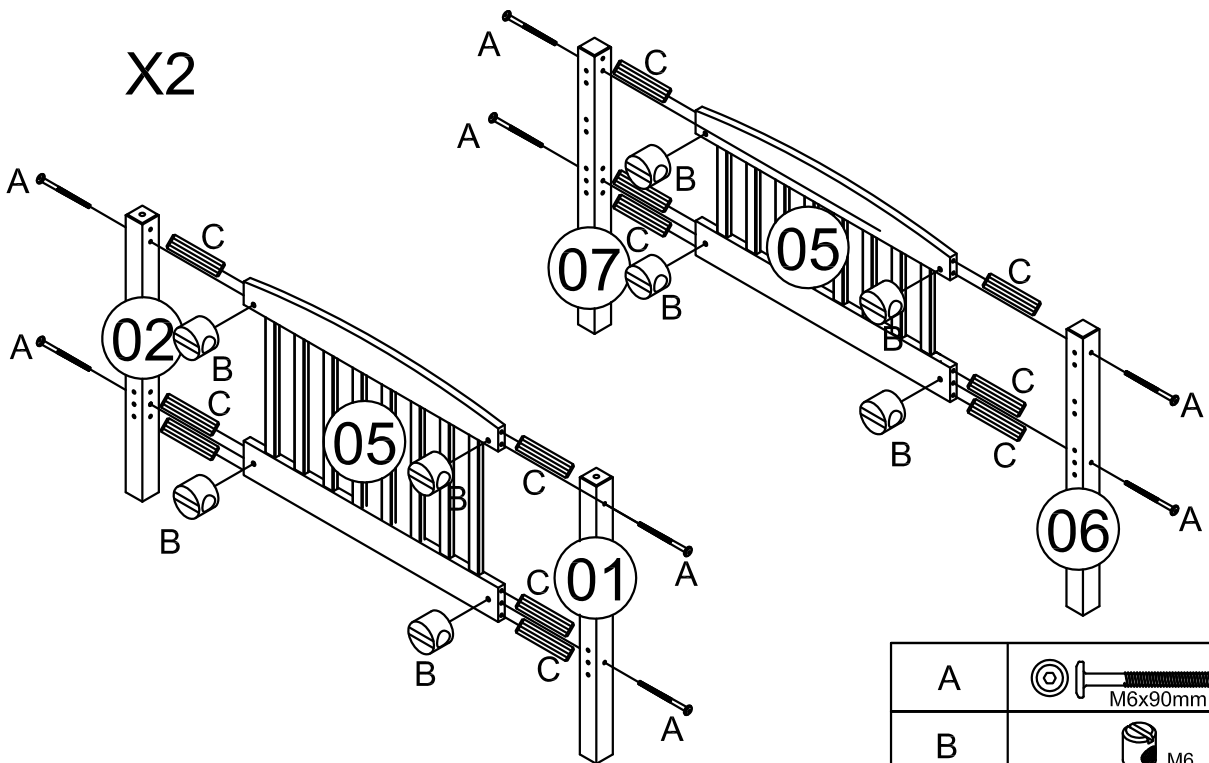
A	  M6x90mm	38	G	  M6x70mm	08
B	 M6	42	H		10
C	 Φ8x30mm	46	I	  Φ4x30mm	98
D	 Φ7x60mm	18	J		02
E	 Φ12x60mm	04	K		04
F	 M6x30mm	06	L	  Φ3.5x16mm	08




Parts List



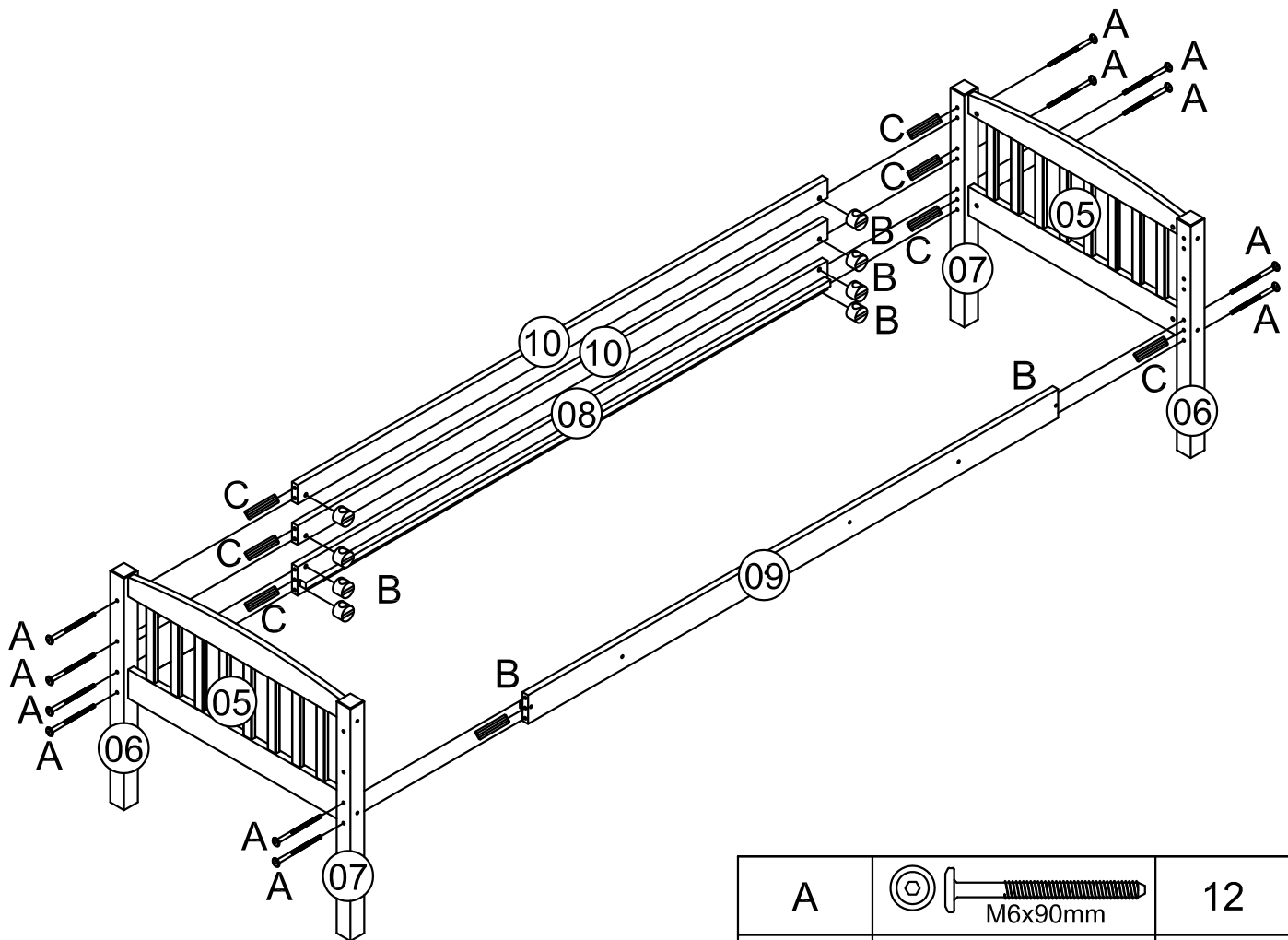
01

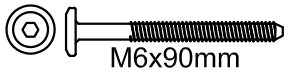


X2



A	 M6x90mm	16
B	 M6	16
C	 $\Phi 8 \times 30 \text{mm}$	24

02

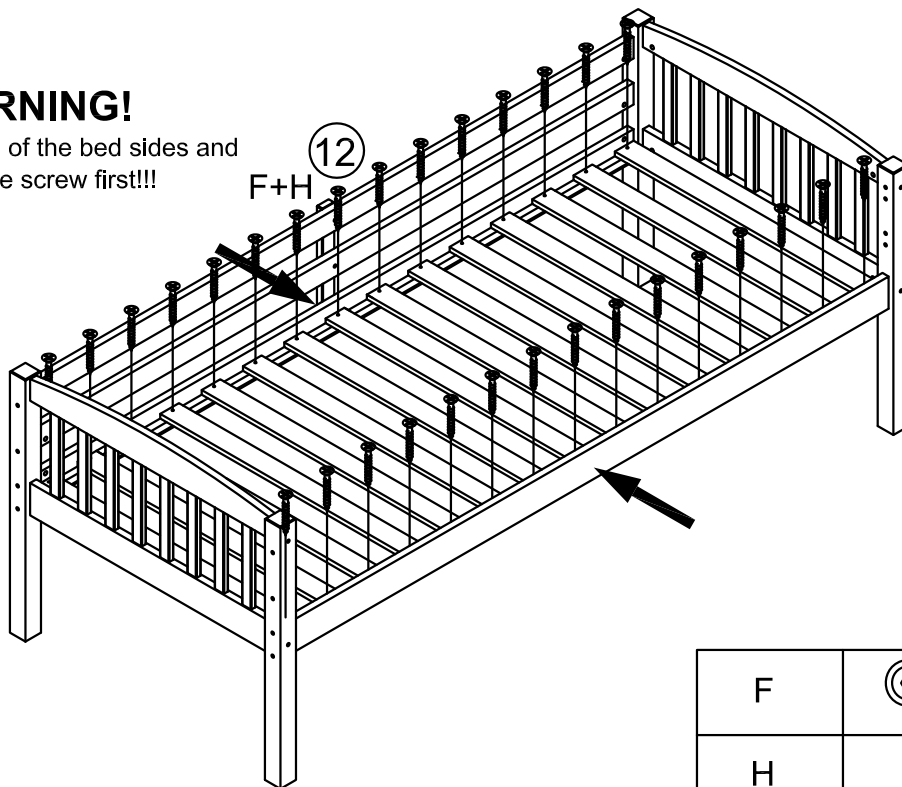


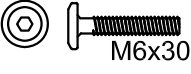
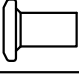

A		12
B		12
C		08

03

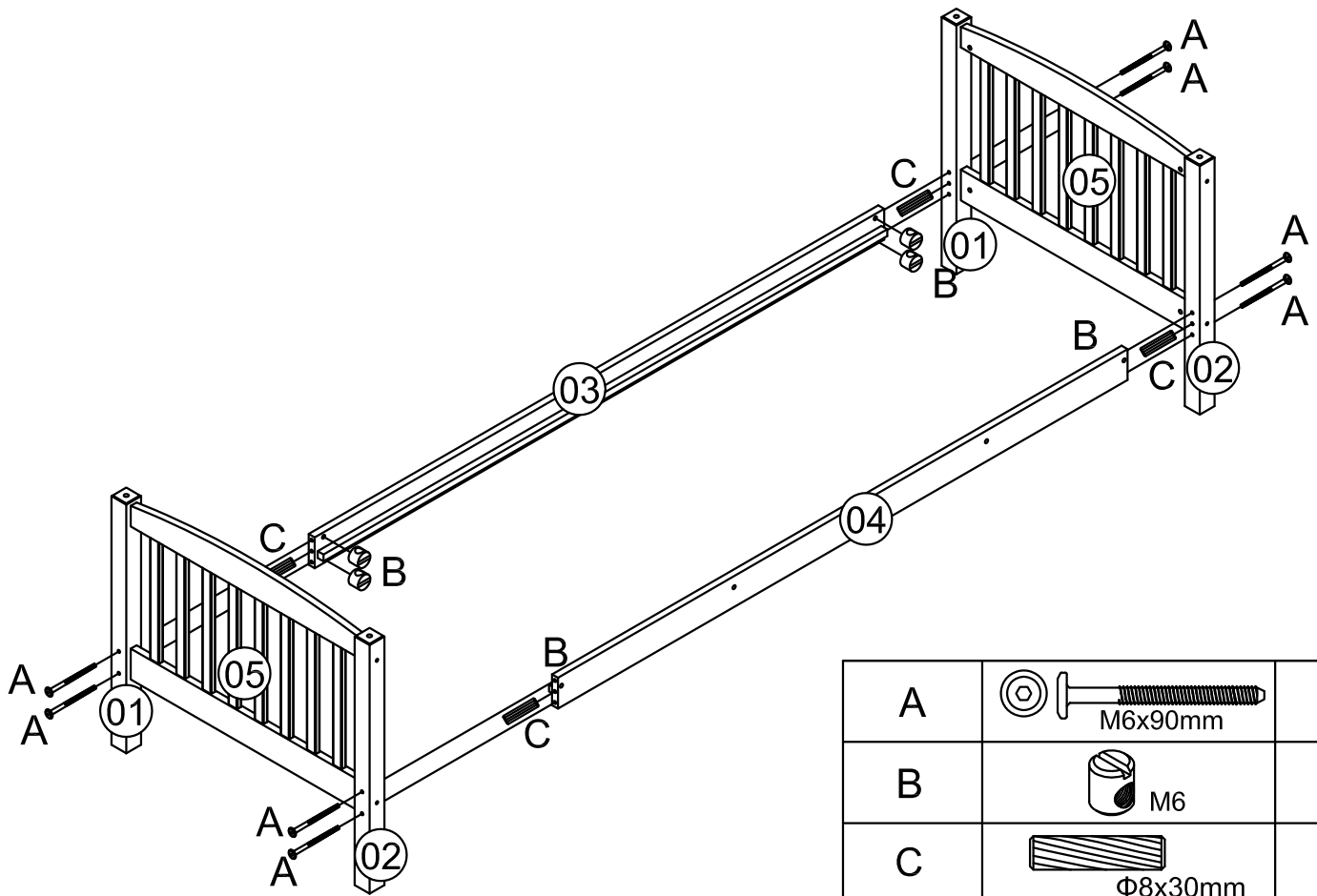
WARNING!

Press the middle of the bed sides and tighten the screw first!!!



F		03
H		03
I		30

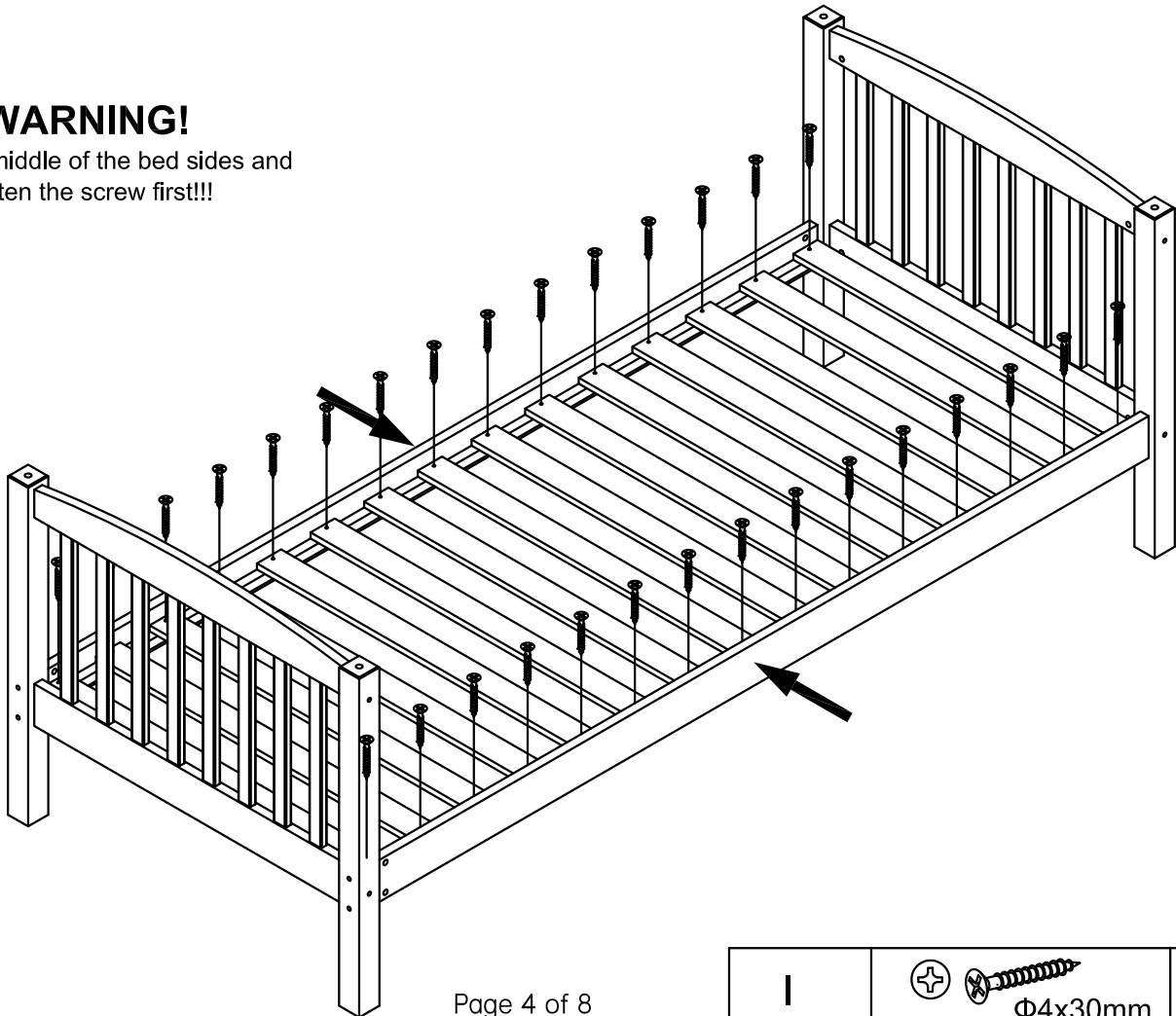
04



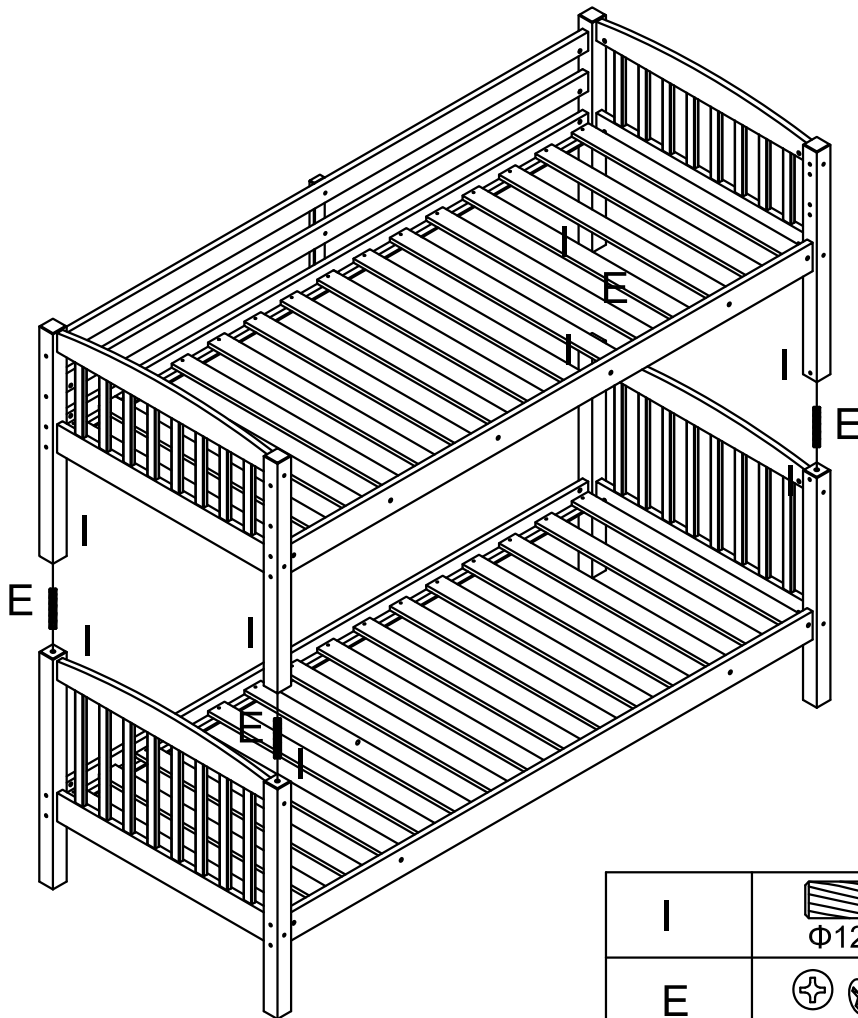
05



WARNING!

Press the middle of the bed sides and tighten the screw first!!!

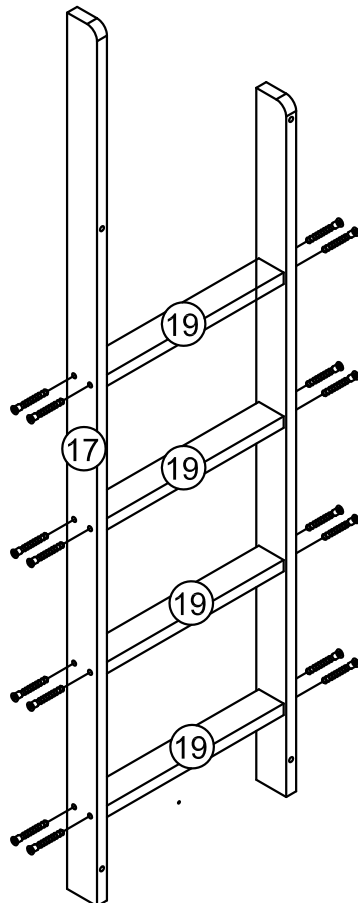


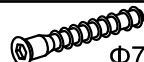
06



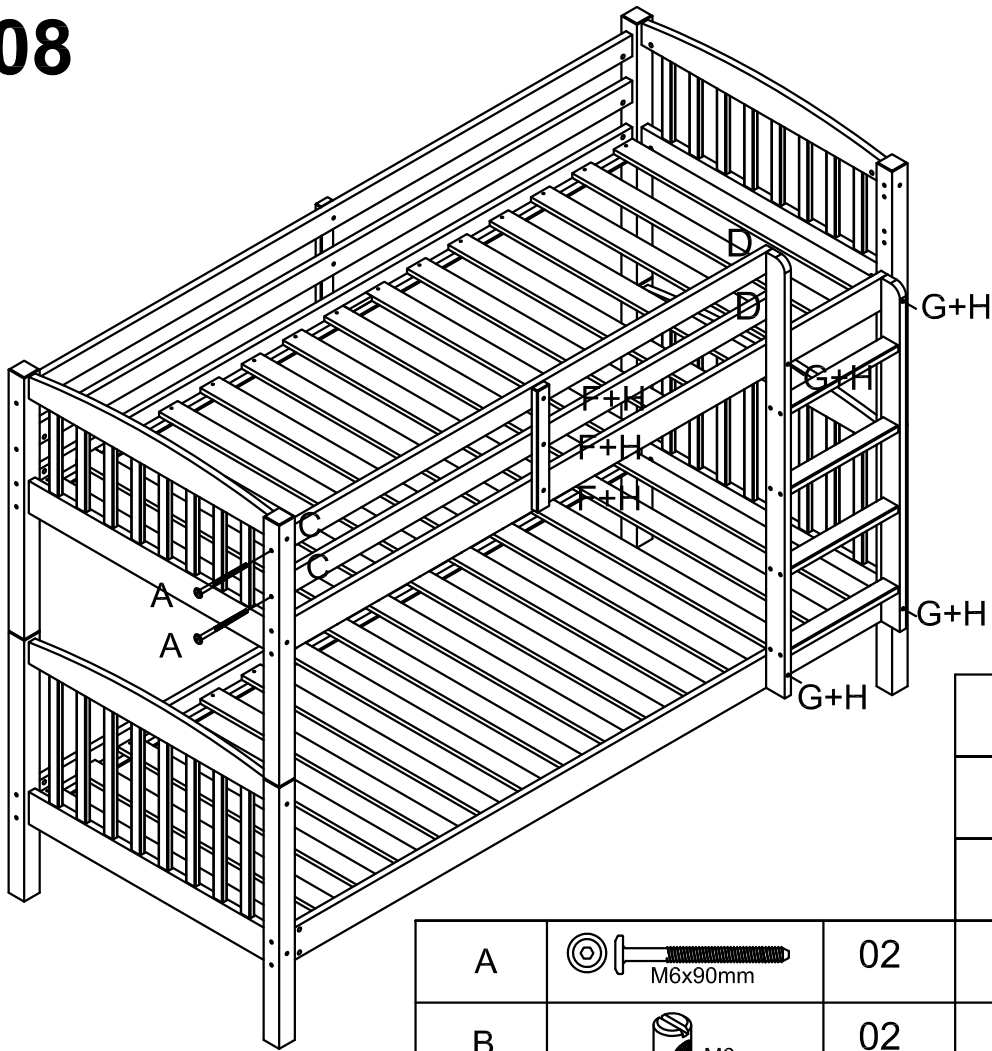
I	 Φ12x60mm	04
E	 Φ4x30mm	08






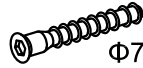

07



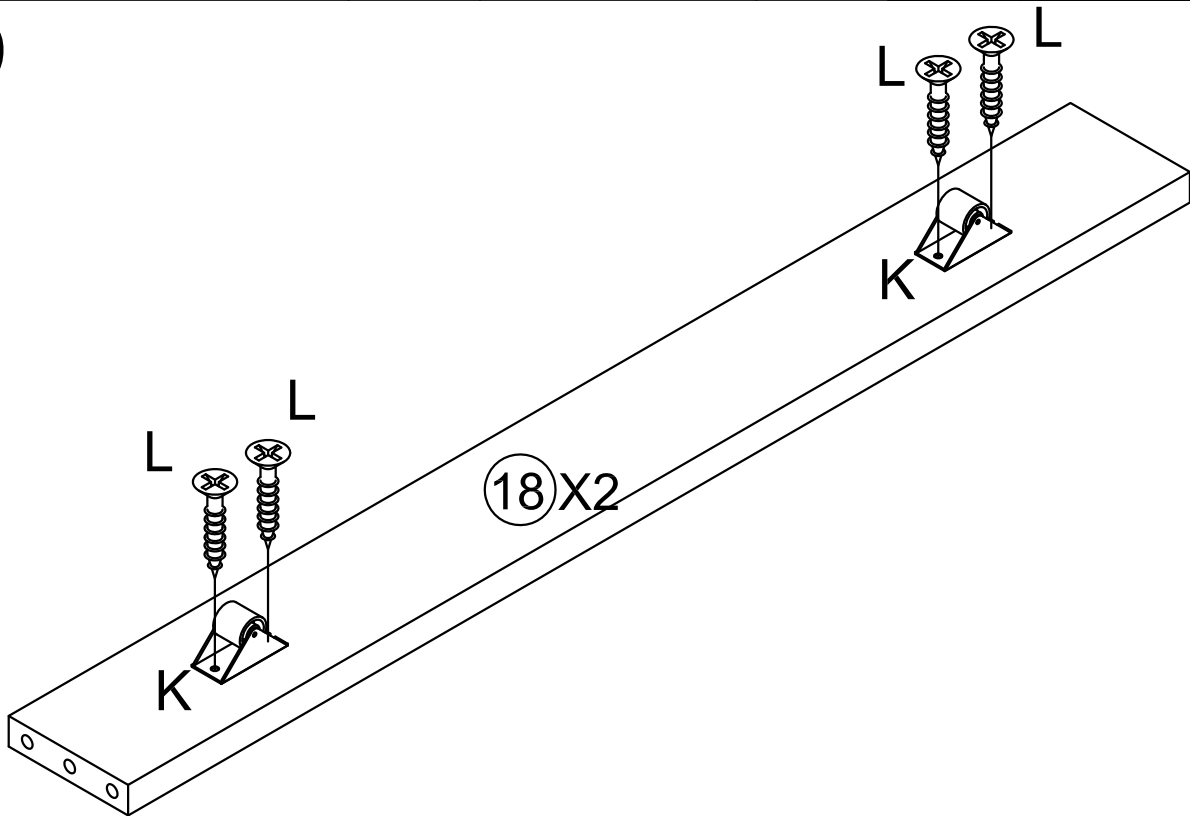
D	 Φ7x60mm	16
---	--	----

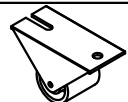

08



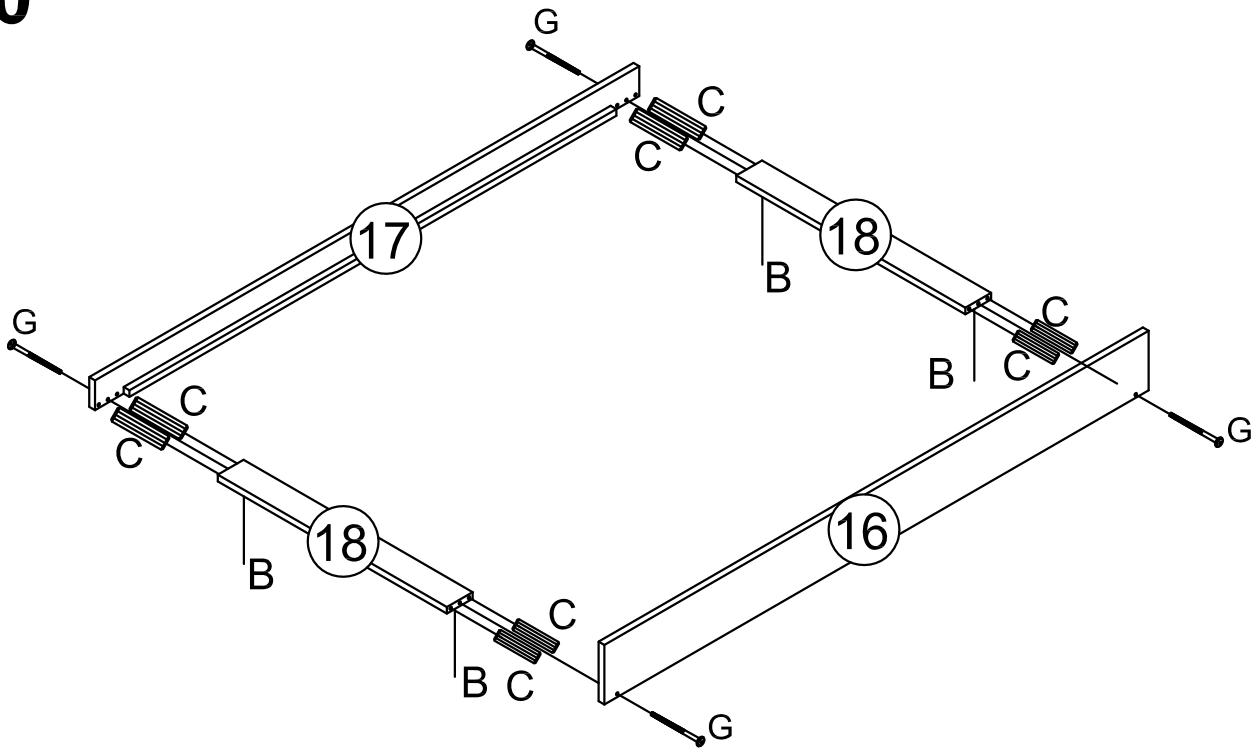
A	 M6x90mm	02	G	 M6x70mm	04
B	 M6	02	H		07
			C	 $\Phi 8 \times 30 \text{mm}$	02
			D	 $\Phi 7 \times 60 \text{mm}$	02
			F	 M6x30mm	03




09



K		04
L	 $\Phi 3.5 \times 16 \text{mm}$	08

10

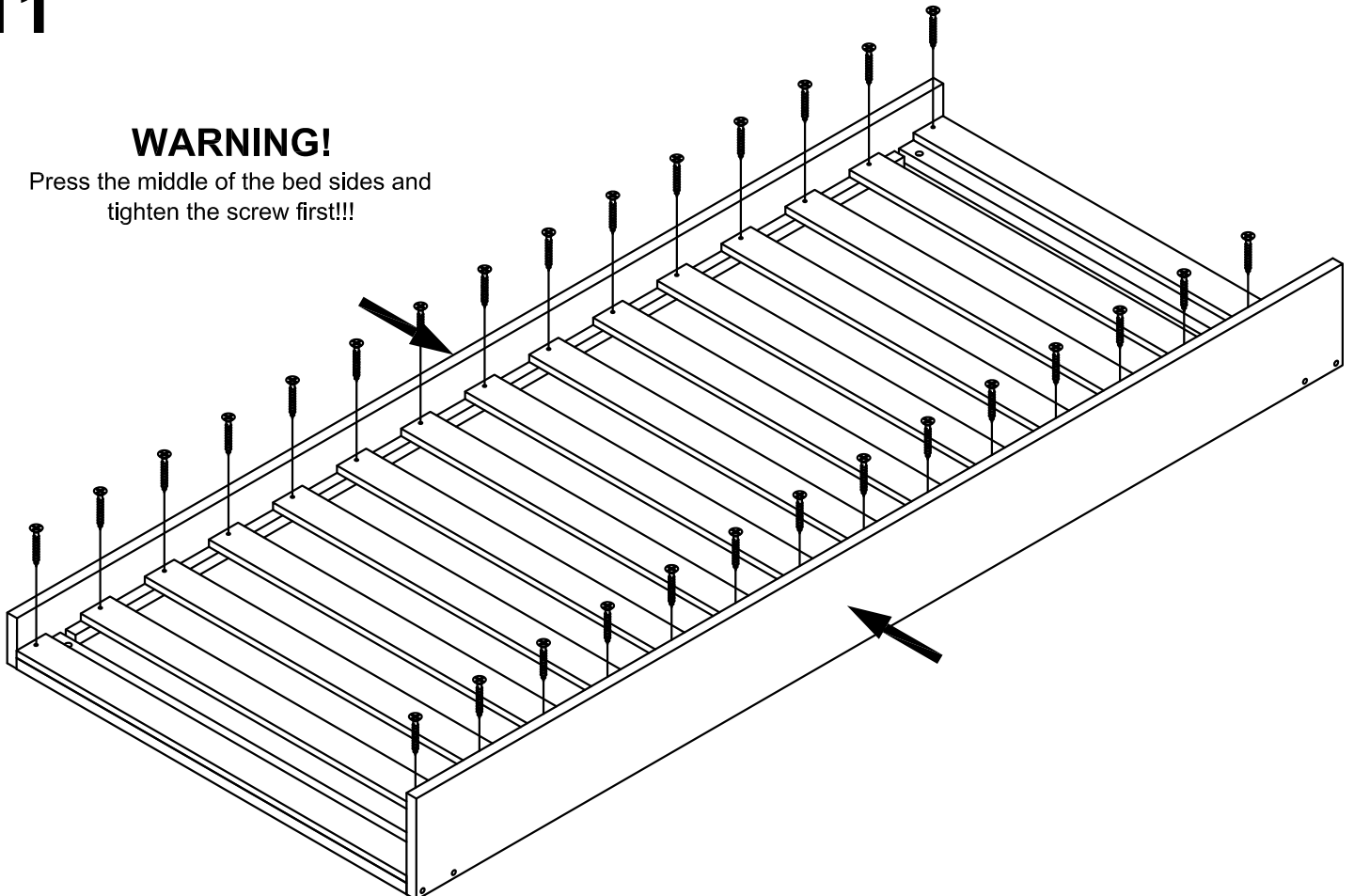



B	 M6	04
C	 $\Phi 8 \times 30 \text{mm}$	08
G	 M6x70mm	04

11

WARNING!

Press the middle of the bed sides and tighten the screw first!!!



I	 $\Phi 4 \times 30 \text{mm}$	30
---	--	----

