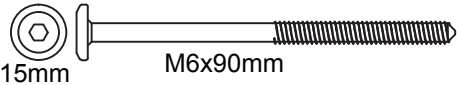

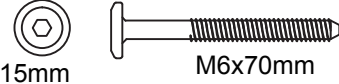

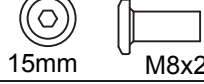
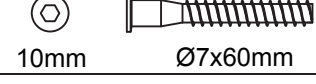
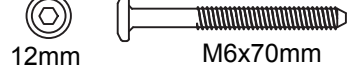


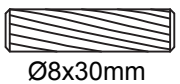
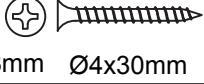


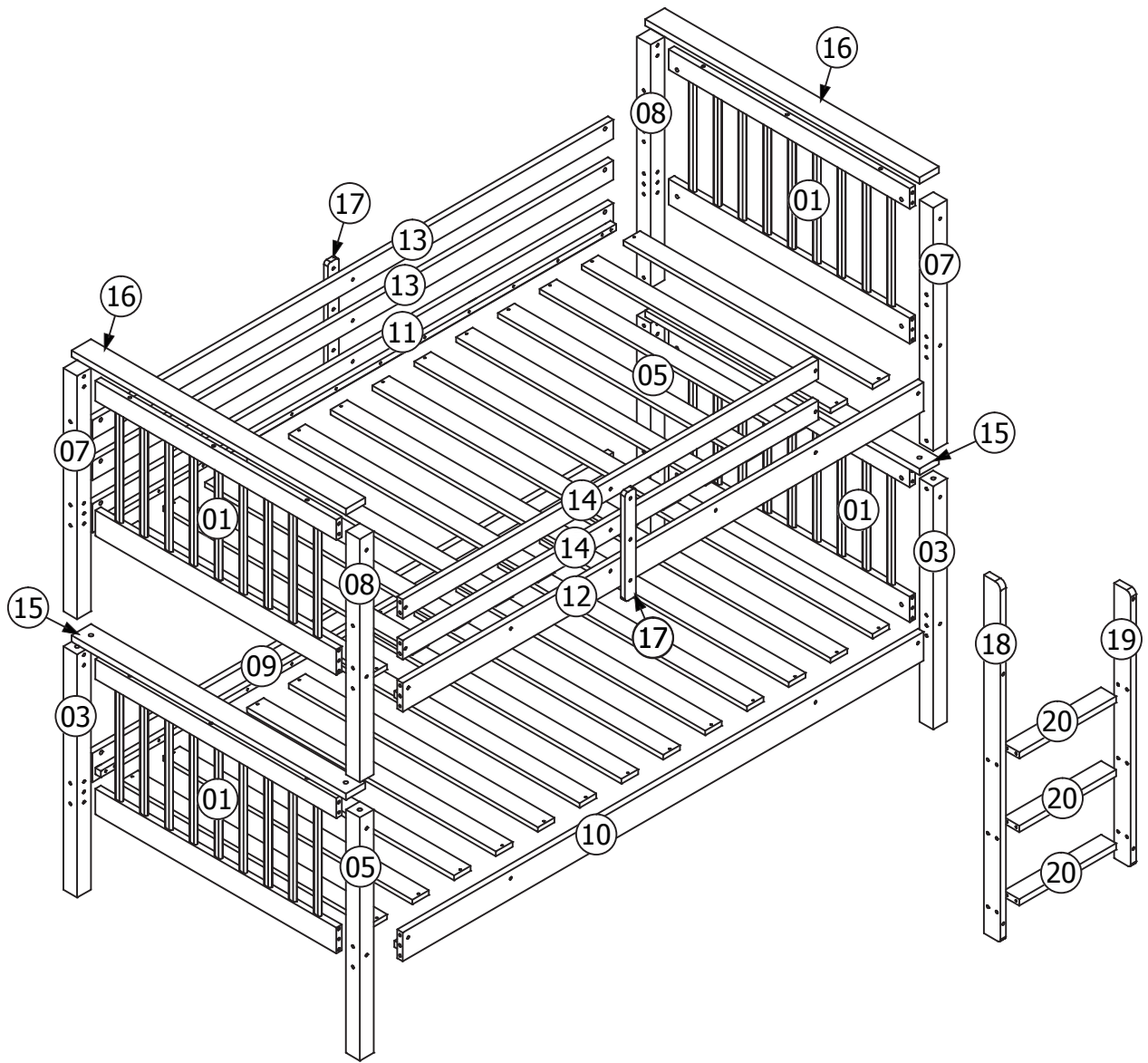


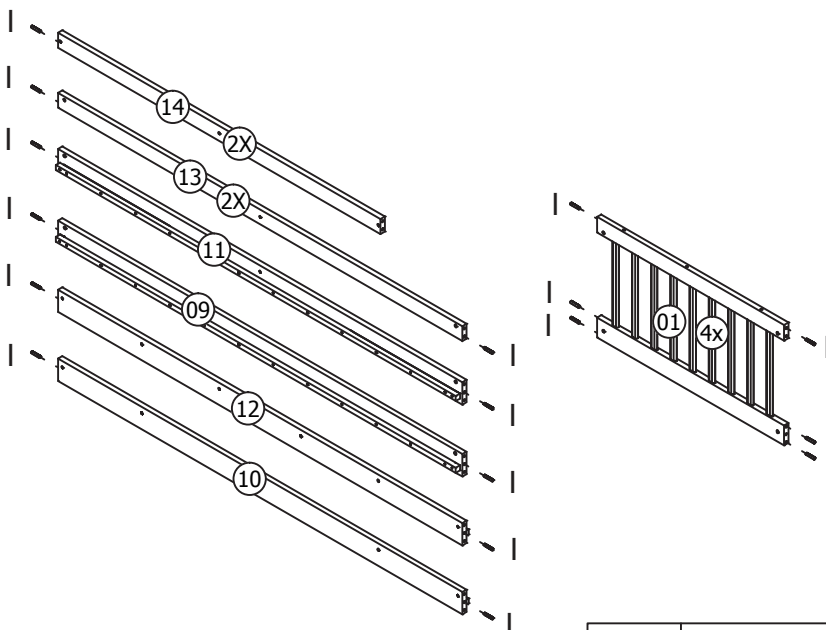
# HARDWARE


A		38
B		38
C		04
D		06
E		10
F		14
M		12

G		02
H		04
I		38
J		68
K		19
L		02

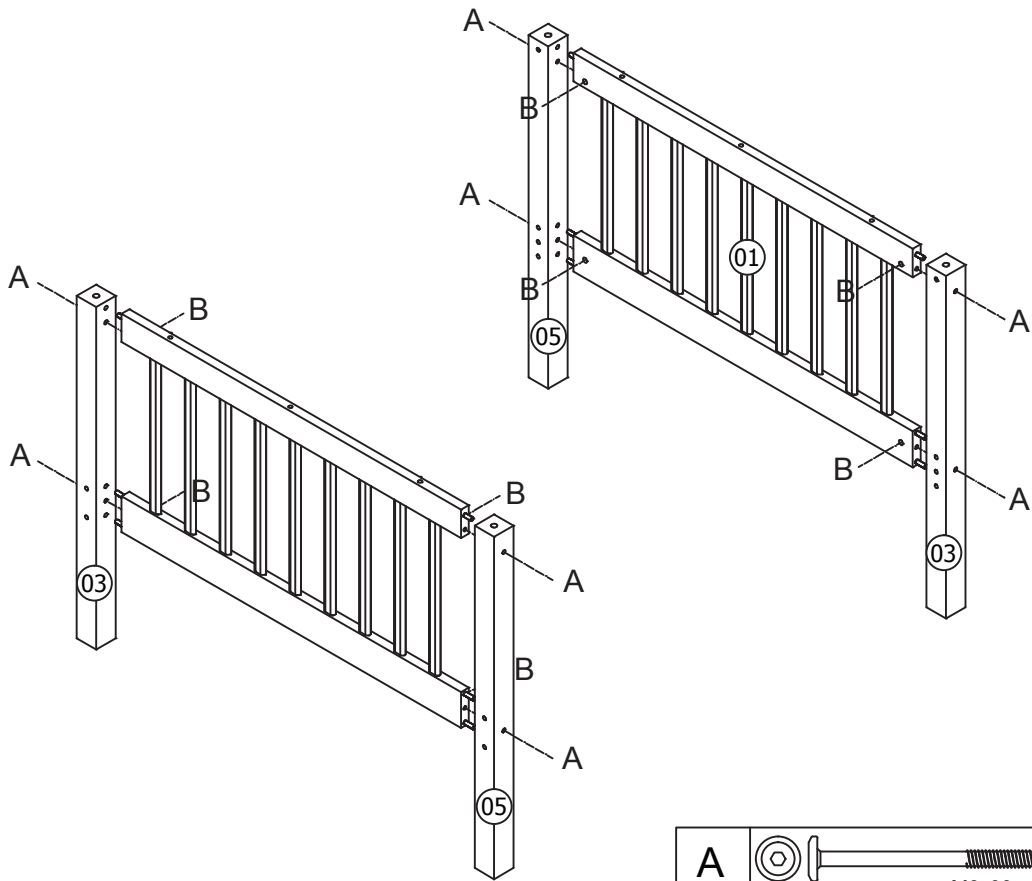




# 01



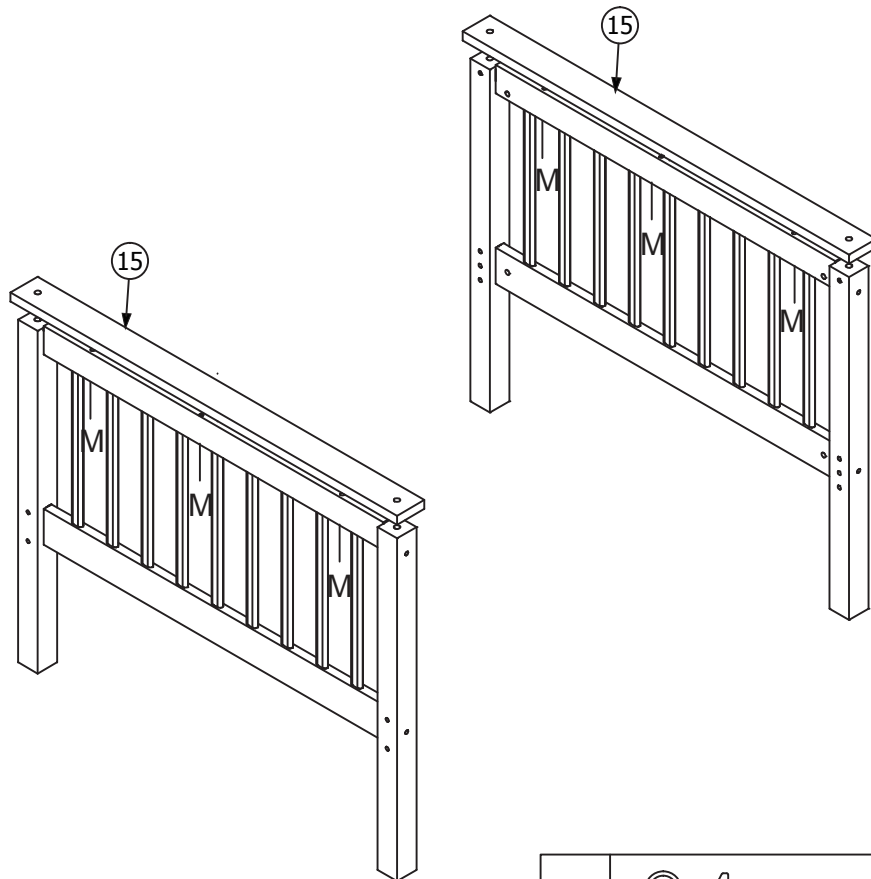
I	 Ø8x30mm	38
---	--	----


# 02



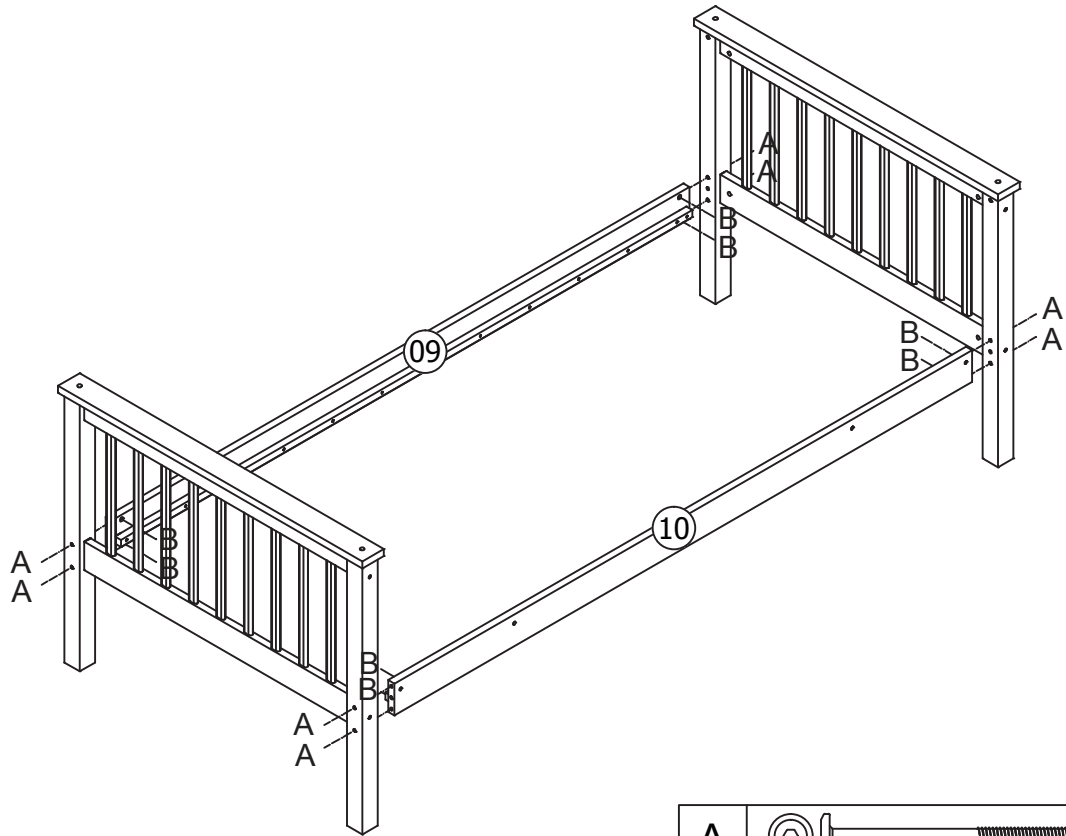
A	 15mm M6x90mm	08
B		08


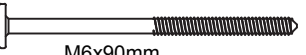

# 03



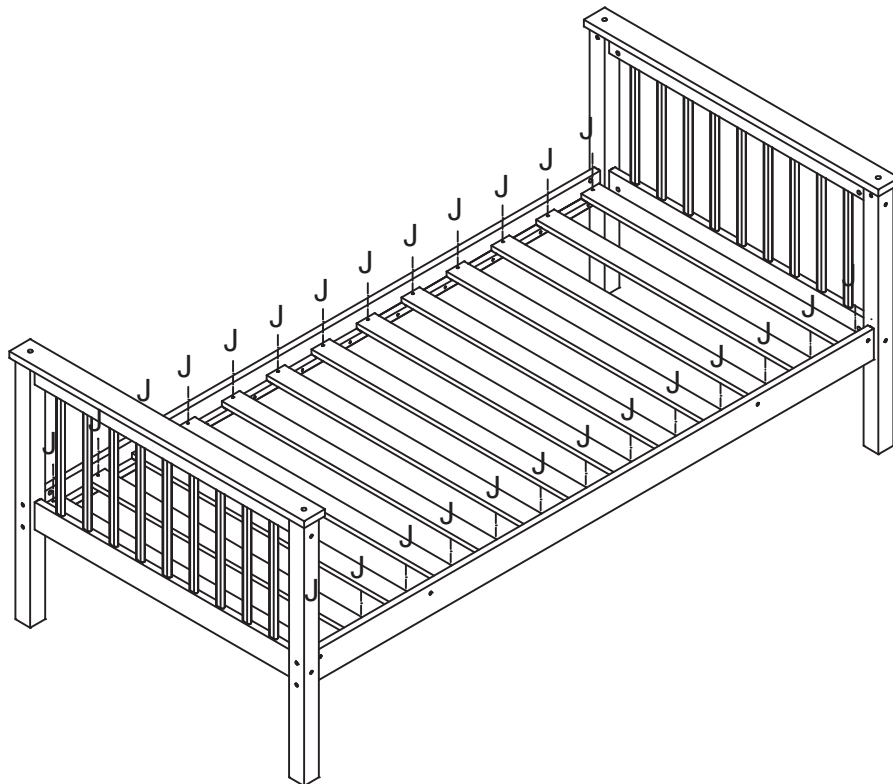
M	 12mm M6x70mm	06
---	--	----



# 04



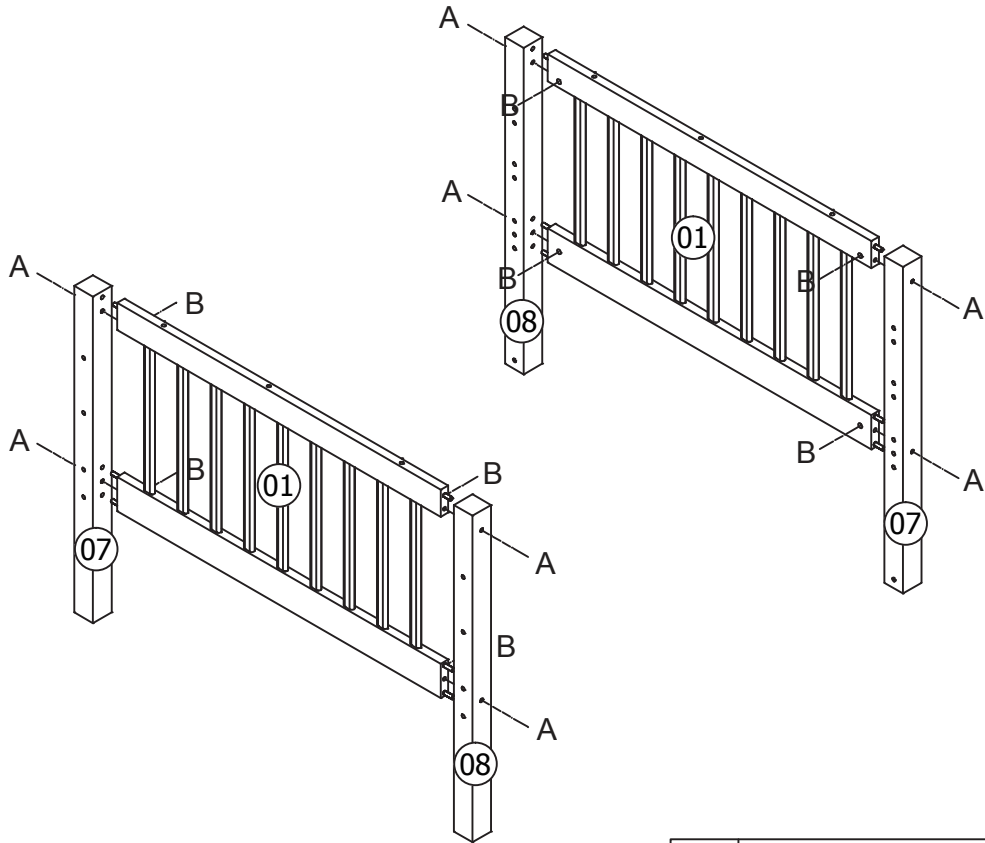
A	  M6x90mm	08
B		08




# 05



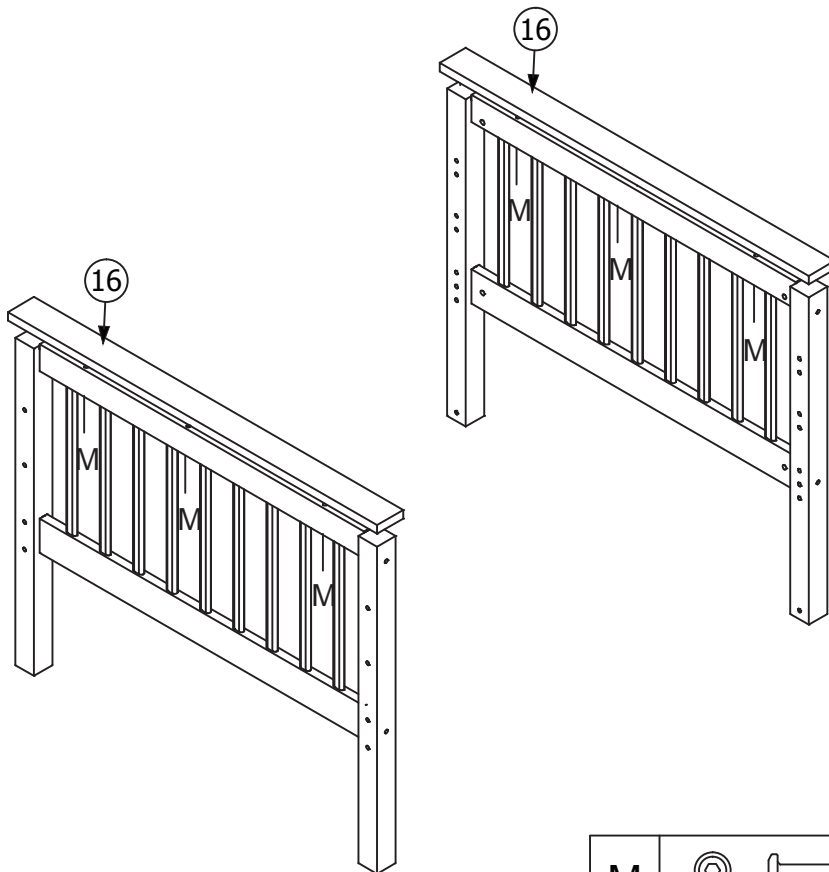
J	  8mm      Ø4x30mm	30
---	---	----



# 06



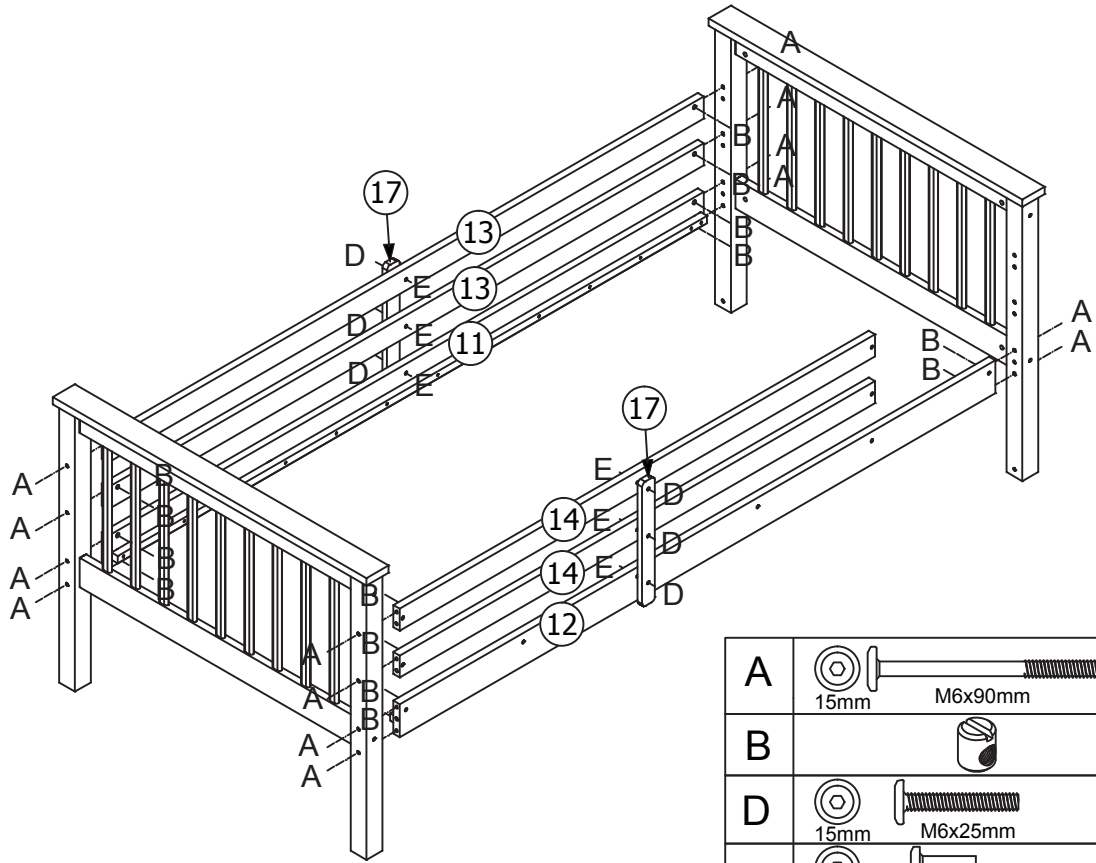
A		 M6x90mm	08
B			08





# 07



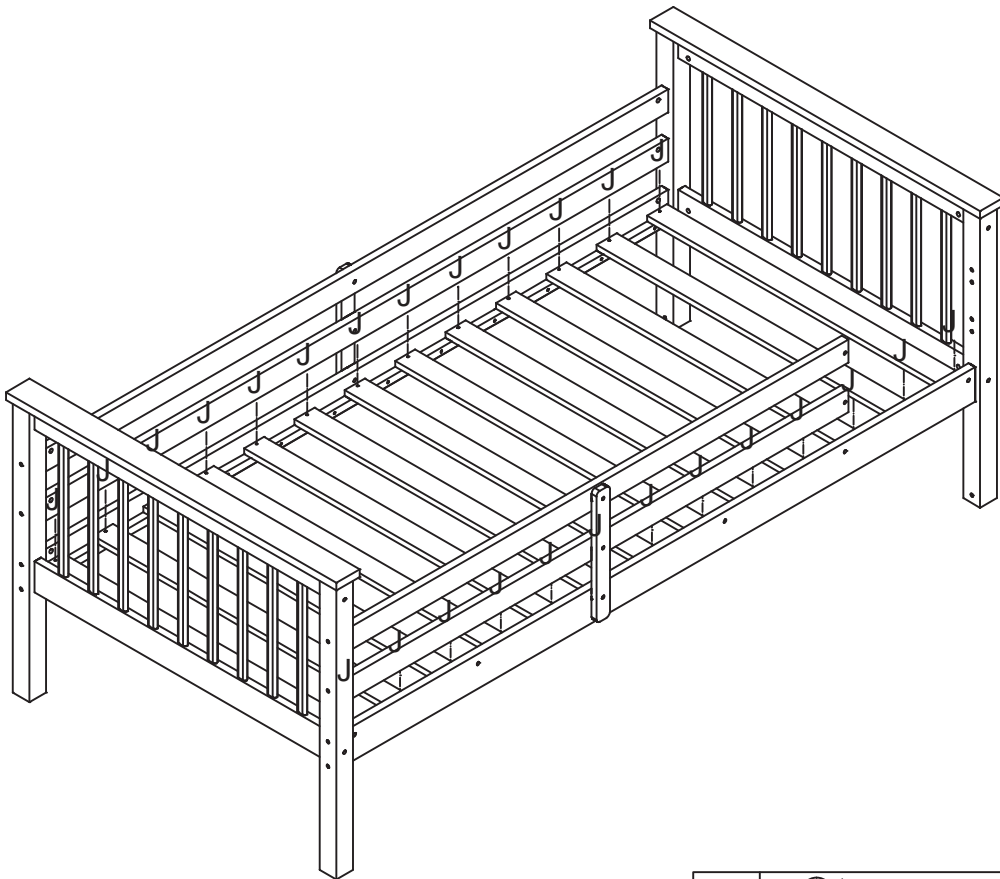
M		 M6x70mm	06
---	---	--	----


# 08



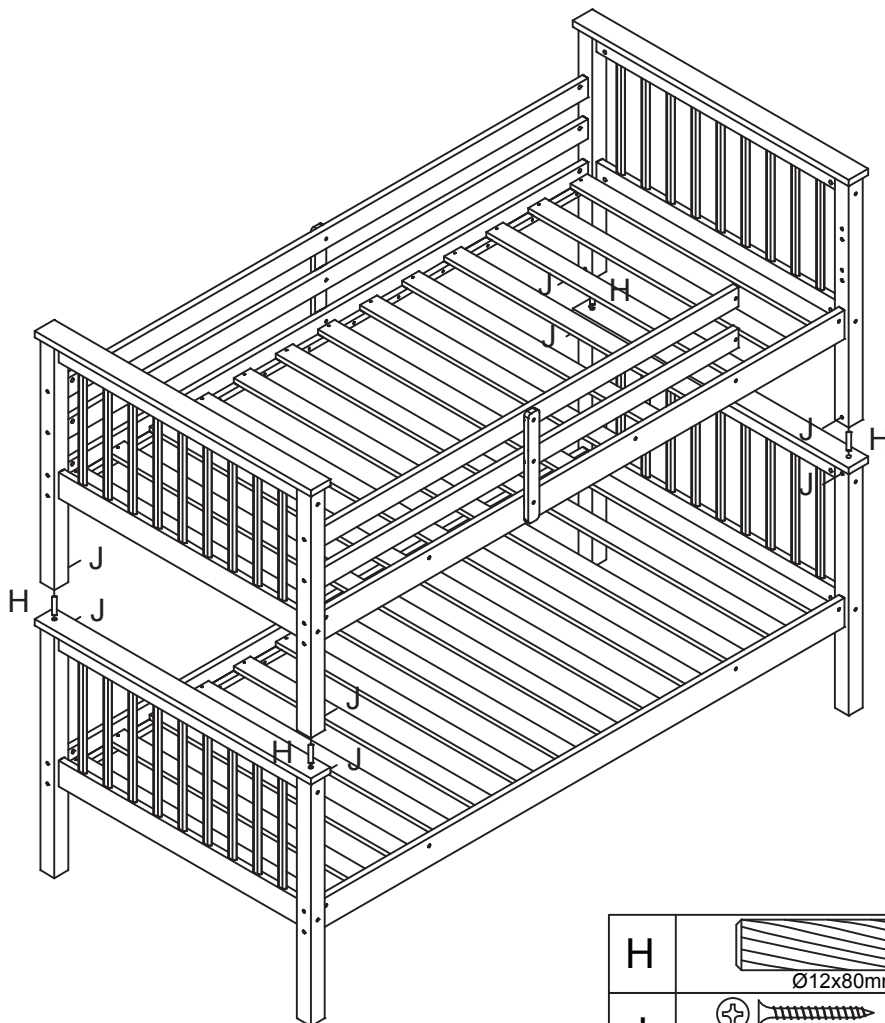
A		M6x90mm	14
B			14
D		M6x25mm	06
E		M8x20mm	06



# 09



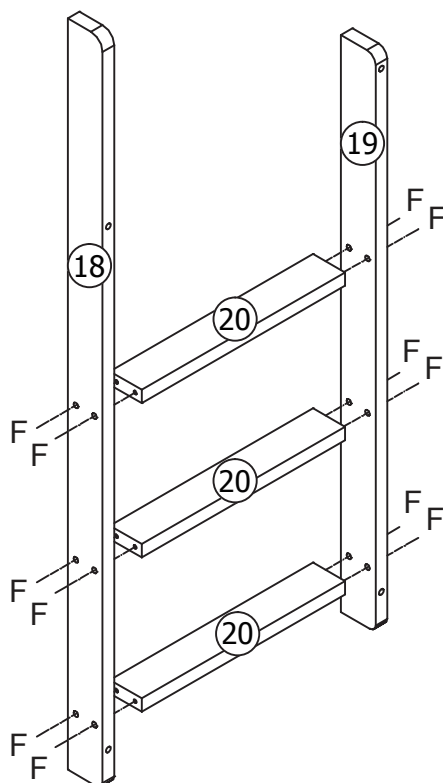
J		8mm Ø4x30mm	30
---	---	-------------	----


# 10



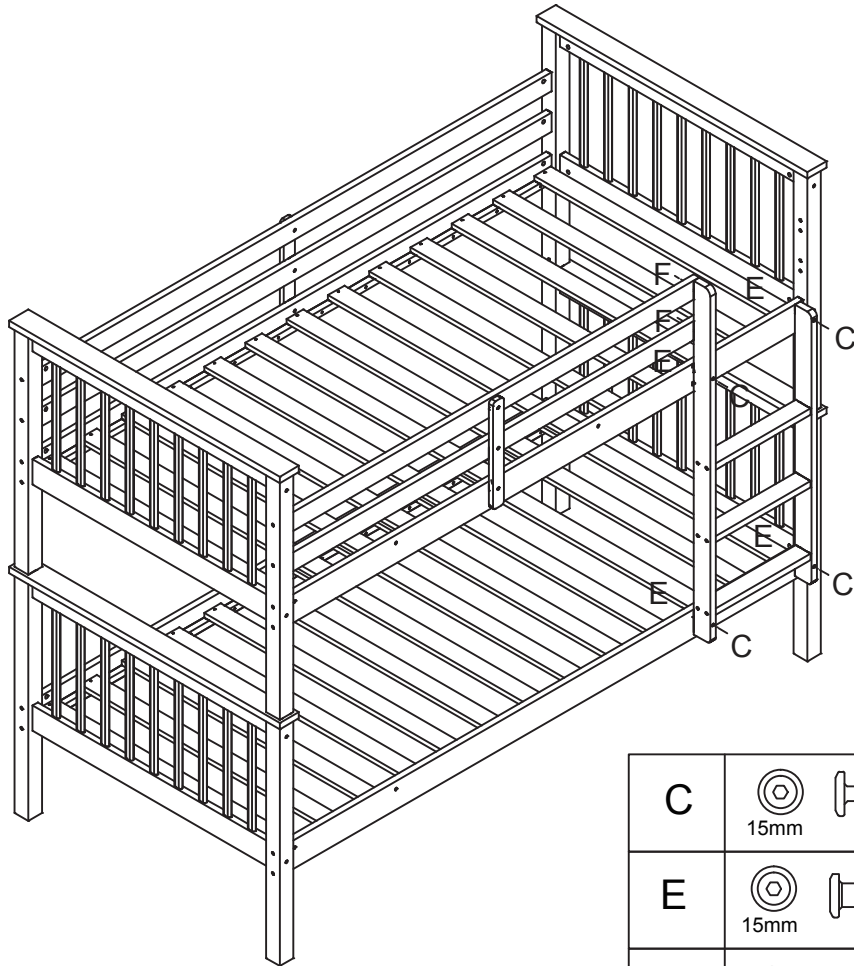
H	 Ø12x80mm	04
J	 8mm Ø4x30mm	08


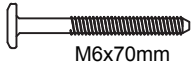

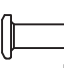


# 11



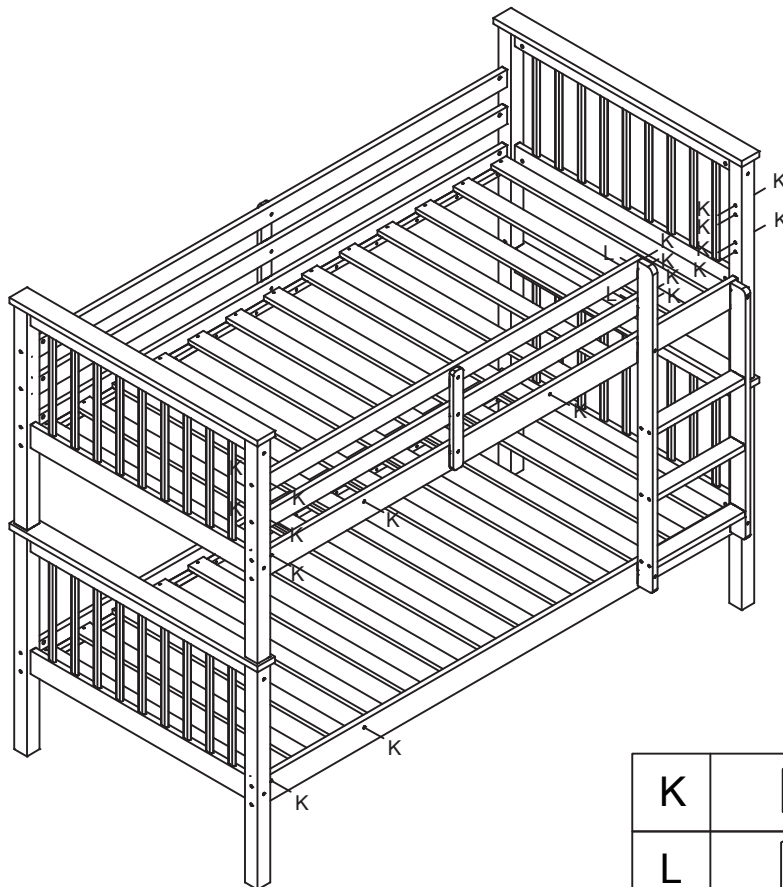
F	 10mm Ø7x60mm	12
---	---	----




# 12



C			04
E			04
F			02

# 13



K			19
L			02