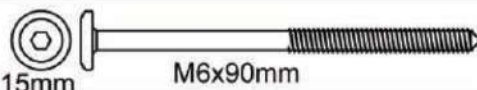

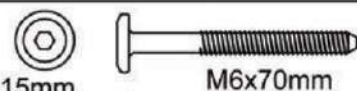
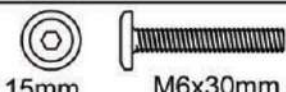

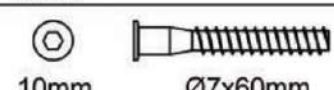



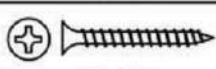

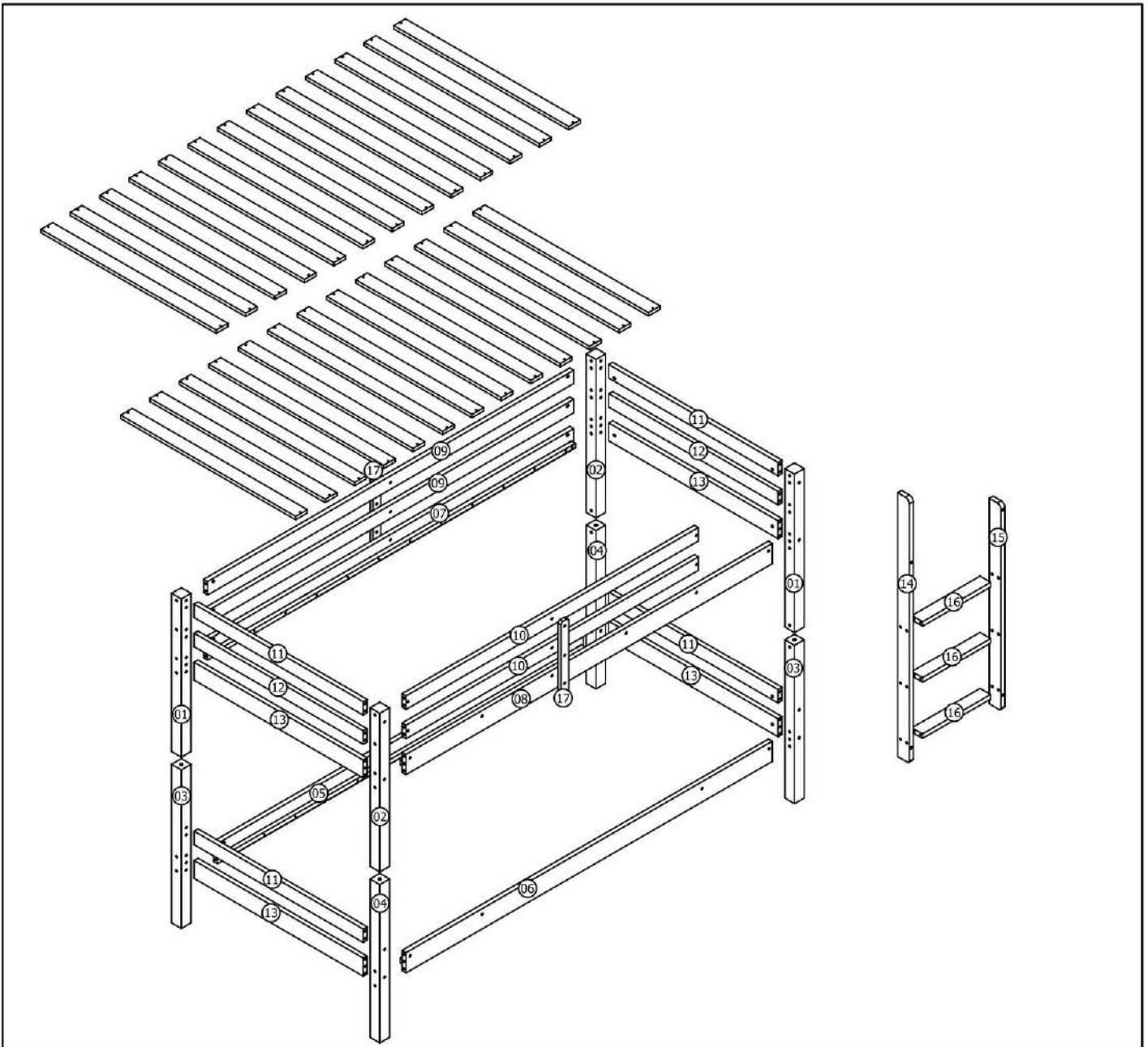


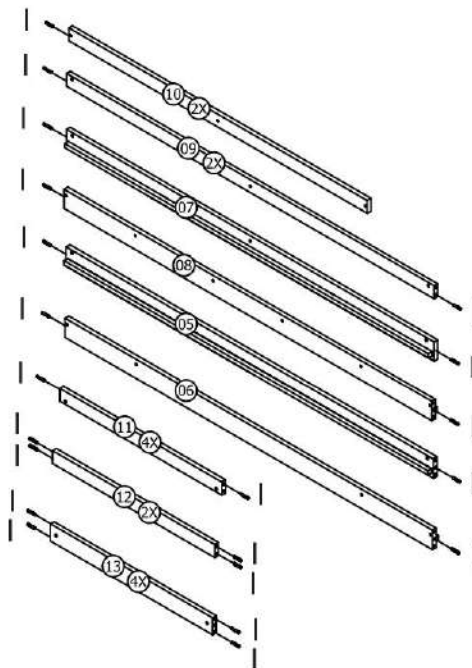
POR FIJACIONES


A	 15mm M6x90mm	38
B		38
C	 15mm M6x70mm	04
D	 15mm M6x30mm	06
E	 15mm	10
F	 10mm Ø7x60mm	14

G		02
H	 Ø12x60mm	04
I	 Ø8x30mm	46
J	 8mm Ø4x30mm	68
K	 Plastic Cover	52

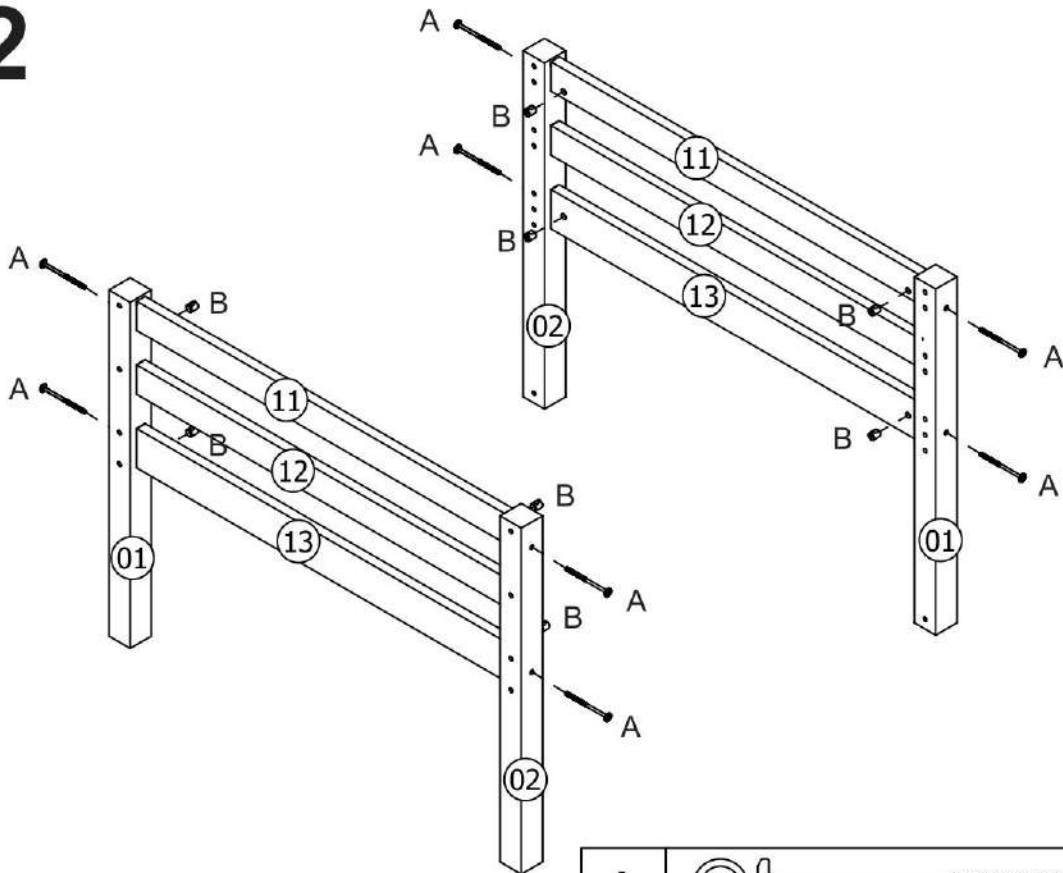




01



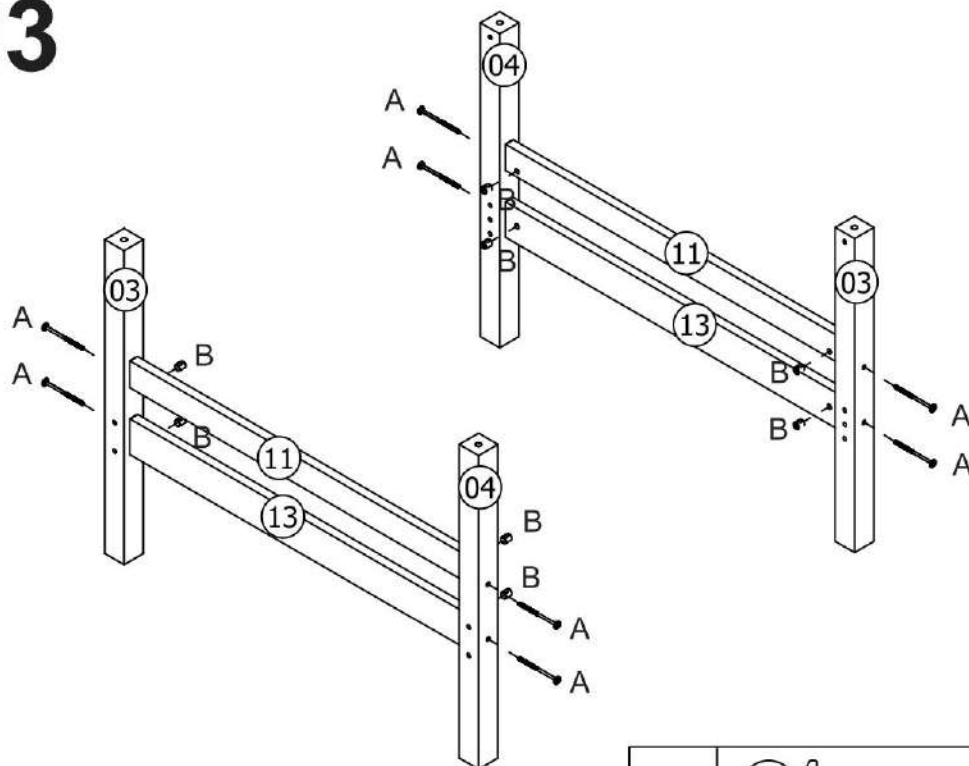
I	 Ø8x30mm	46
---	--	----



02



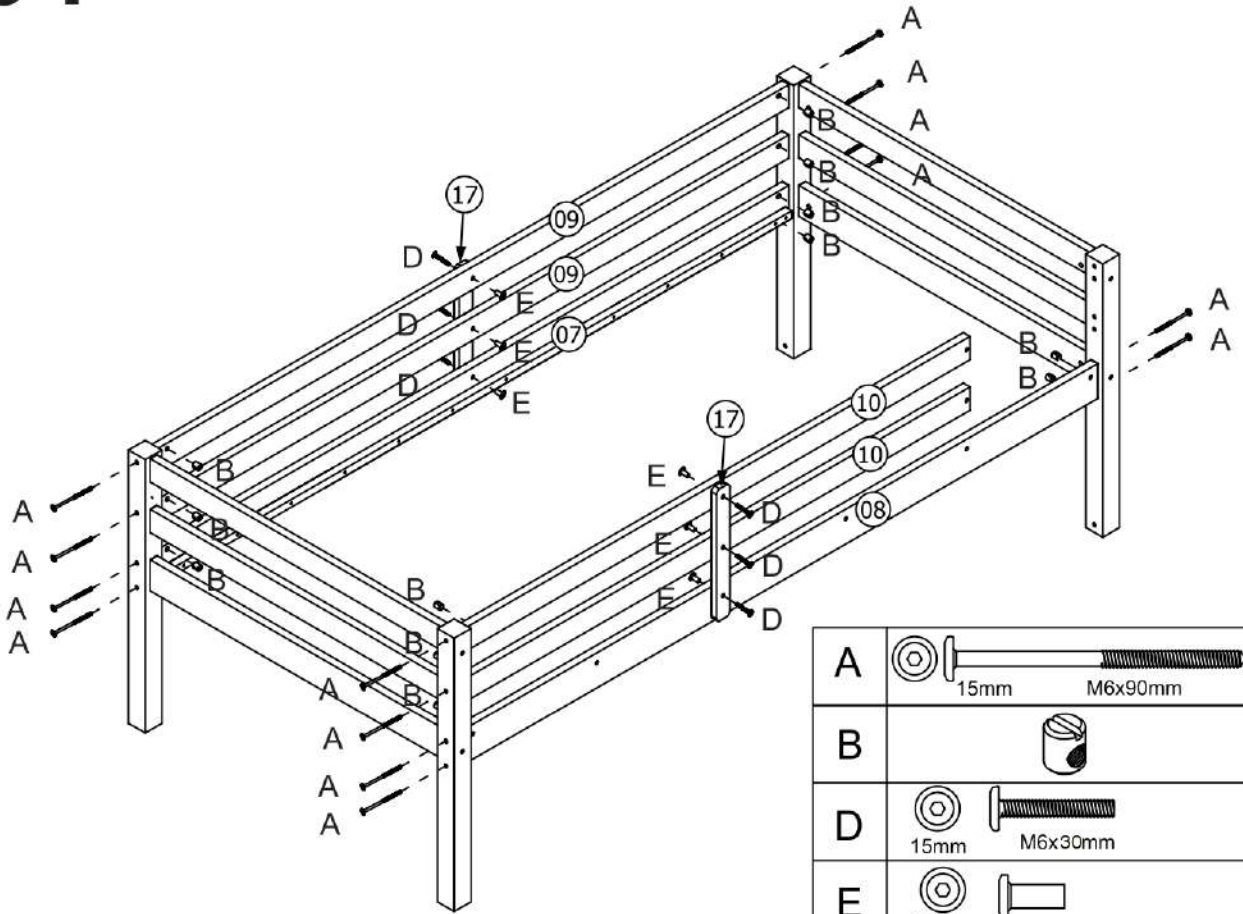
A	 M6x90mm	08
B		08

03



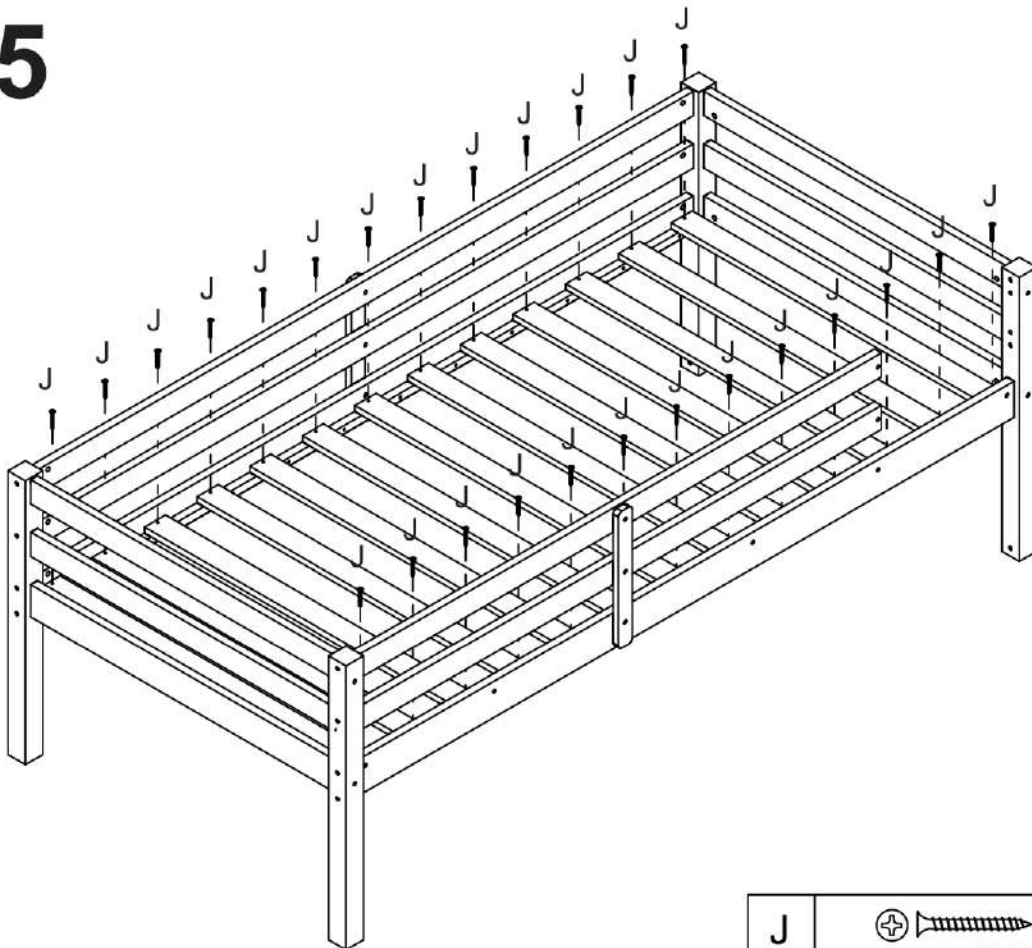
A	 M6x90mm	08
B		08

04



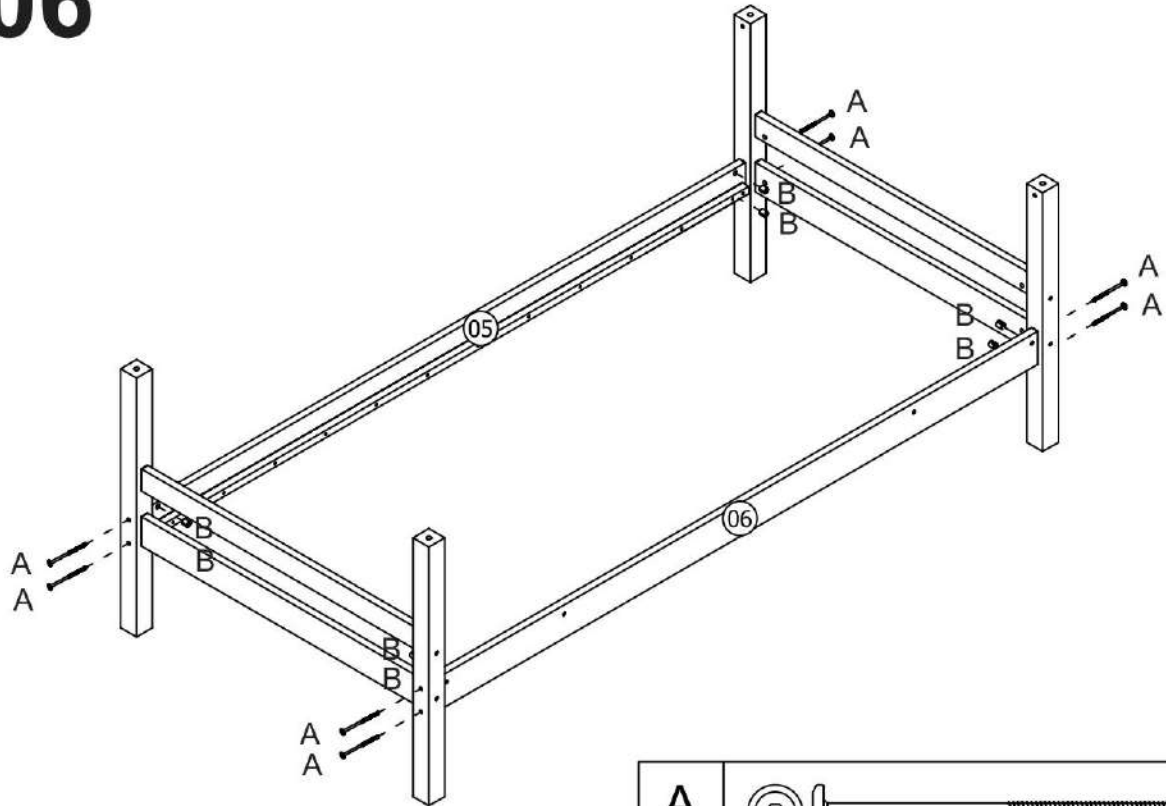
A		14
B		14
D		06
E		06



05



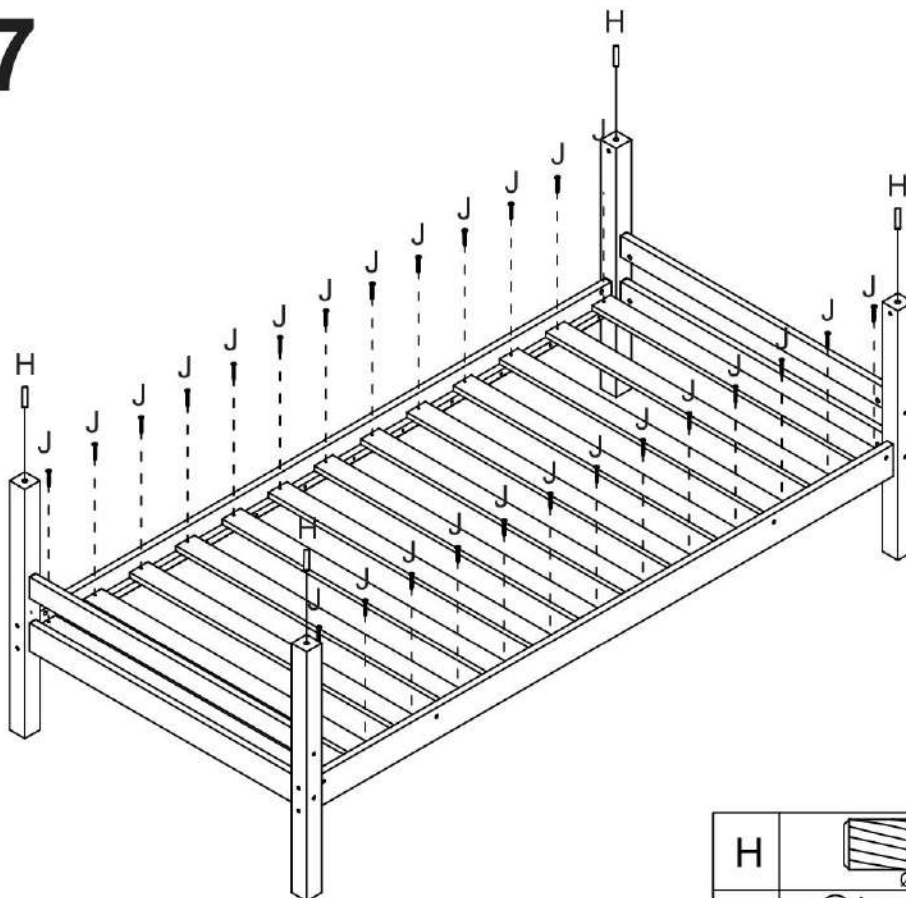
J		30
---	--	----


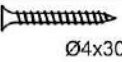
06



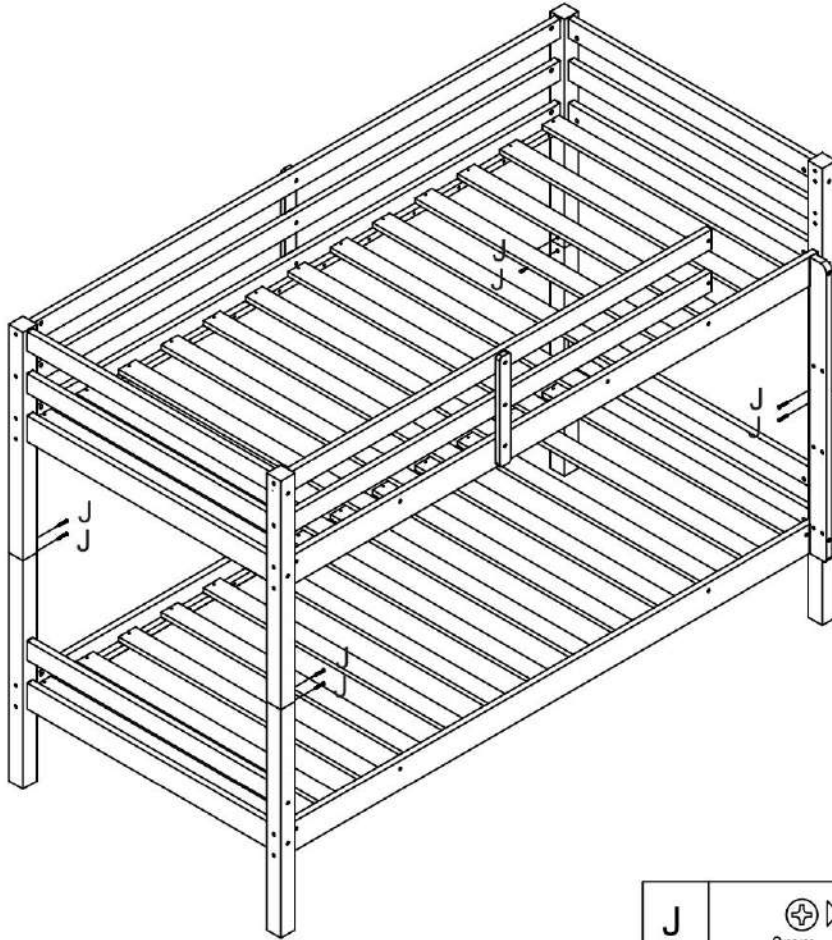
A	 M6x90mm	08
B		08

07

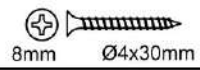


H	 Ø12x60mm	04
J	 8mm Ø4x30mm	30

08

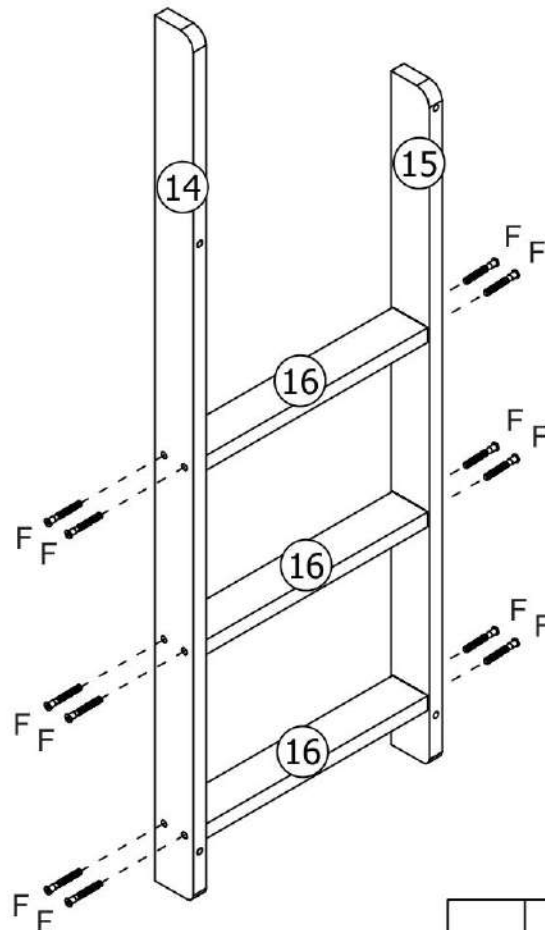


J

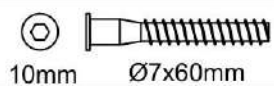


08

09

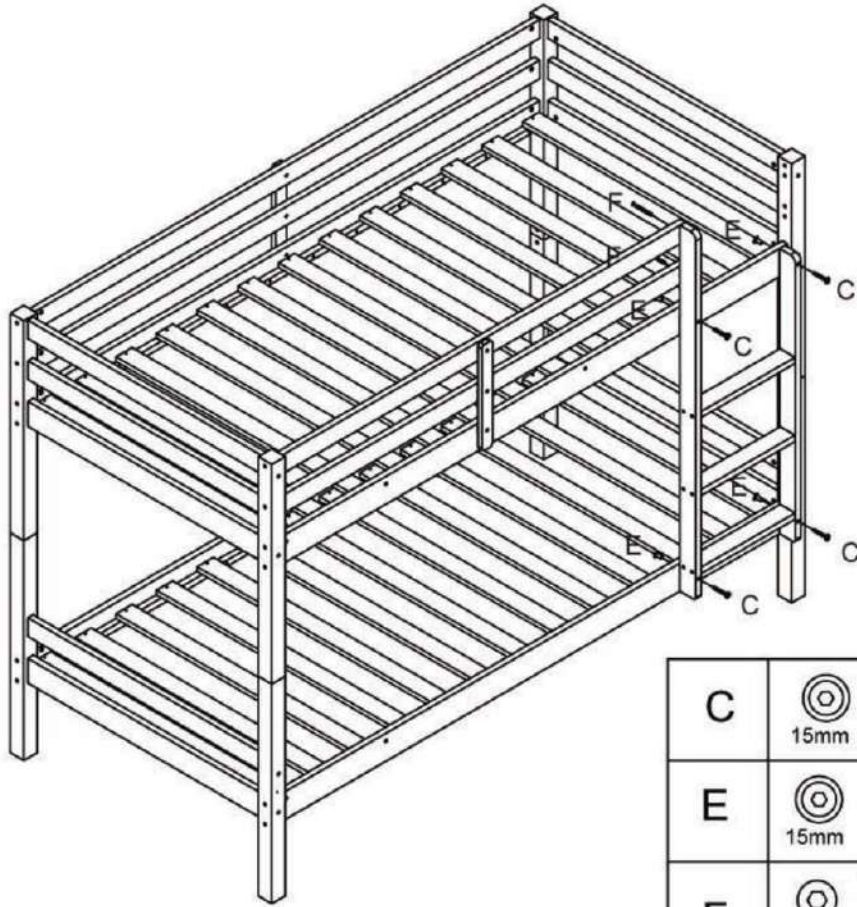





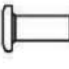

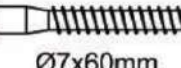
F



12

10



C	 15mm	 M6x70mm	04
E	 15mm		04
F	 10mm	 Ø7x60mm	02