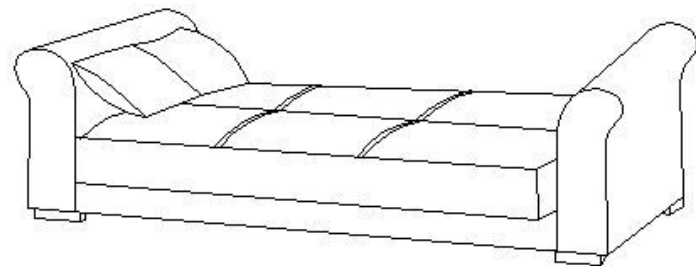
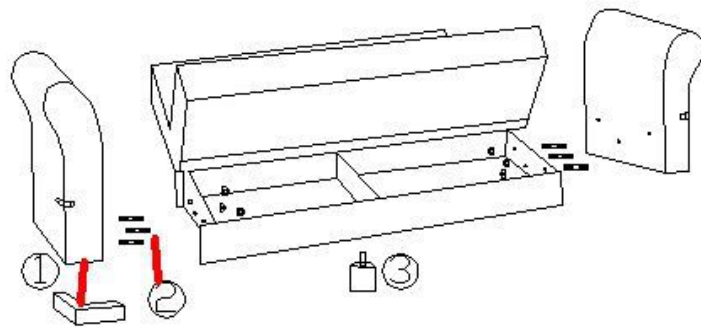
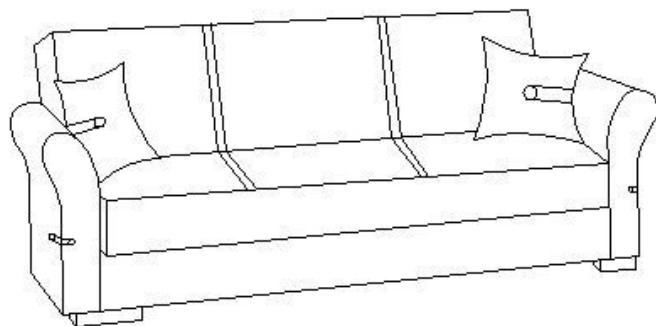












# FELIPE

## ASSEMBLY INSTRUCTIONS



### HARDWARE PACKAGE CONTENT

		LEG (4)
		SCREW (6)
		WINGNUT (6)
		SUPPORTLEG (1)
		SCREW (16)

