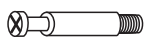

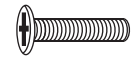
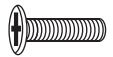


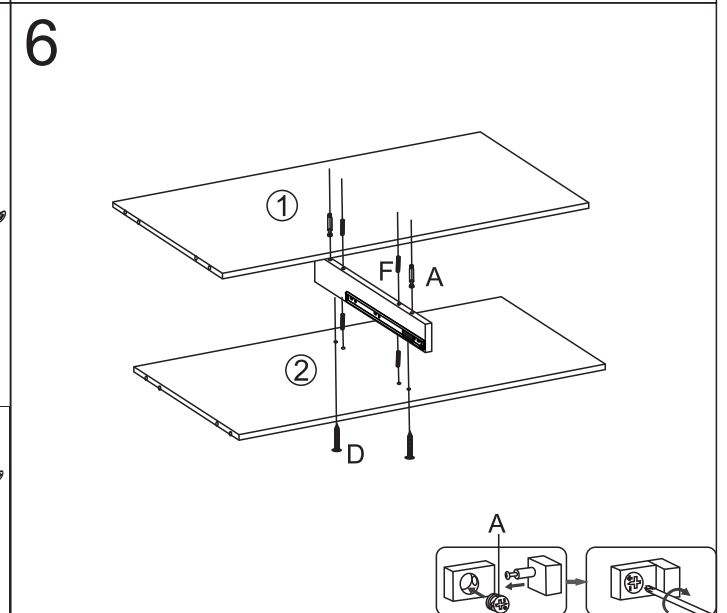
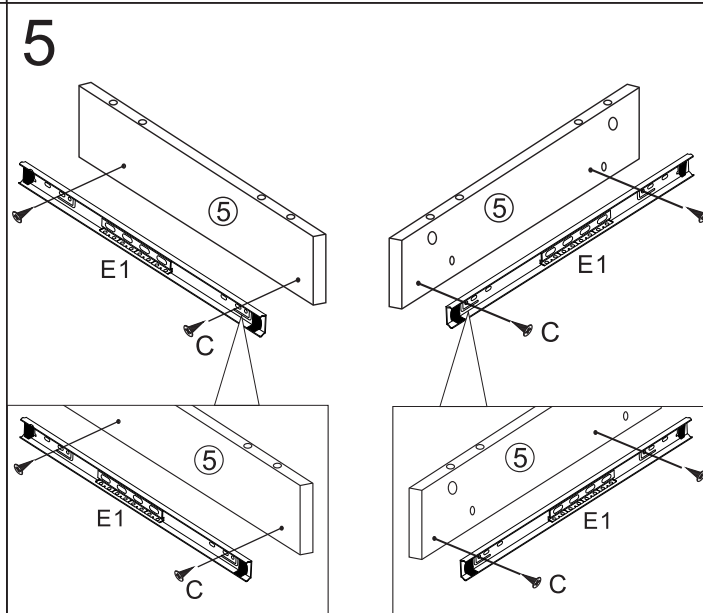
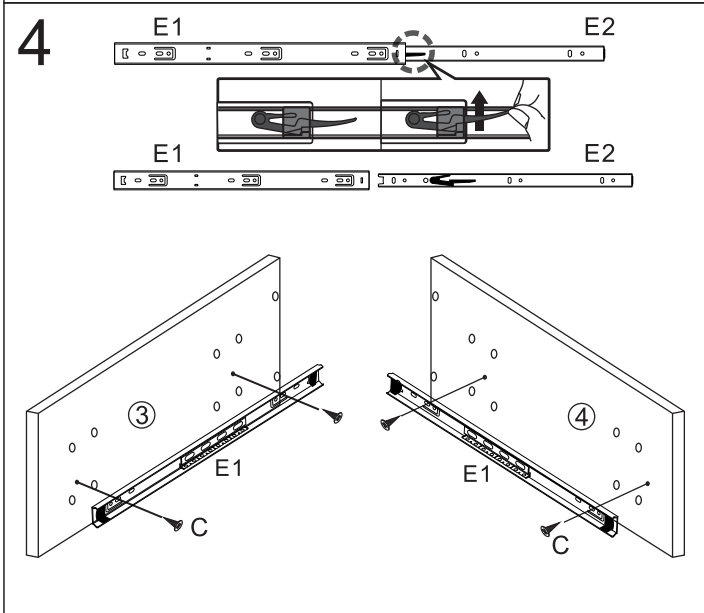
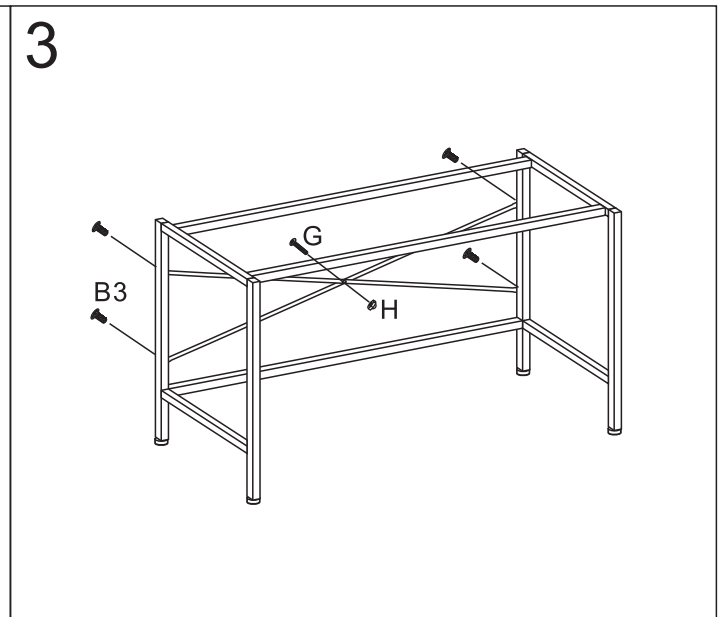
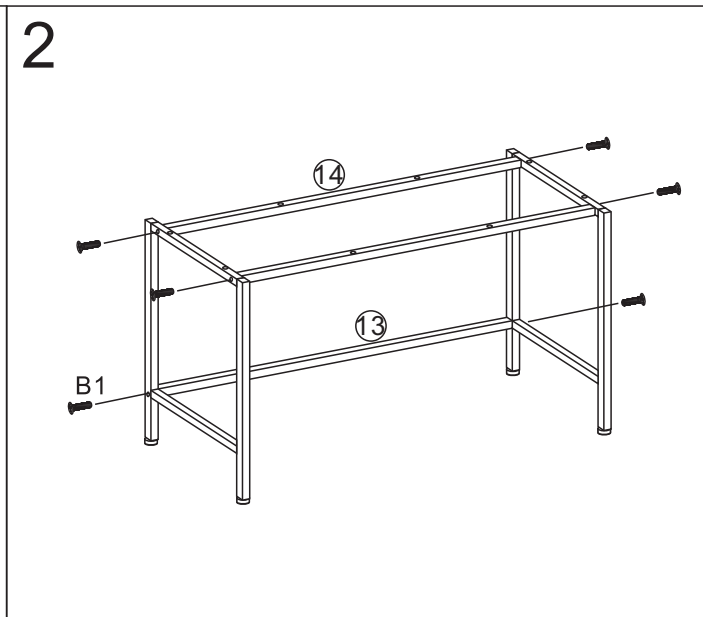
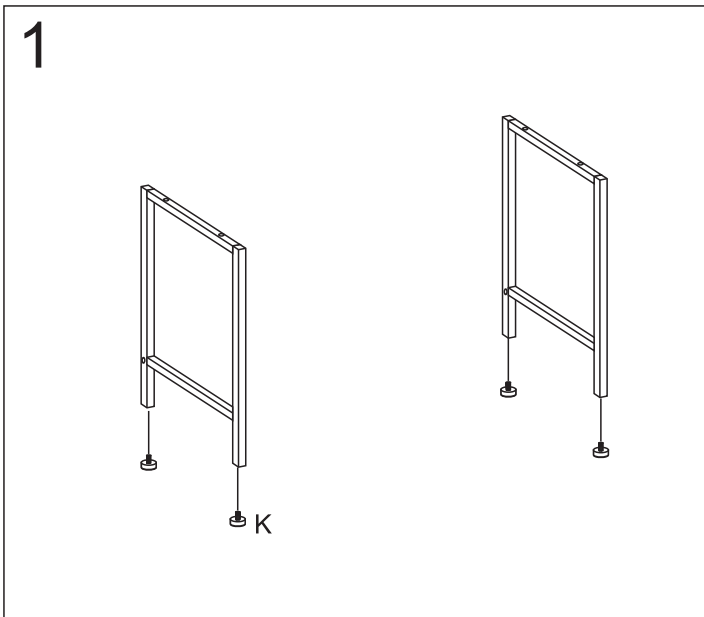


|  |  |  |  |   |
|--|--|--|--|---|
| <p><b>A</b></p>   <p>10pcs</p> | <p><b>B1</b></p>  <p>M6X35mm<br/>6pcs</p> | <p><b>B2</b></p>  <p>M6X30mm<br/>8pcs</p> | <p><b>B3</b></p>  <p>M6X12mm<br/>4pcs</p> | <p><b>C</b></p>  <p>ST3.5X14mm<br/>20pcs</p> |
|--|--|--|--|---|

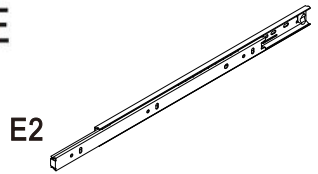


D



ST5X50mm  
18pcs

E



E2

4pcs

F



8X30mm  
12 pcs

G



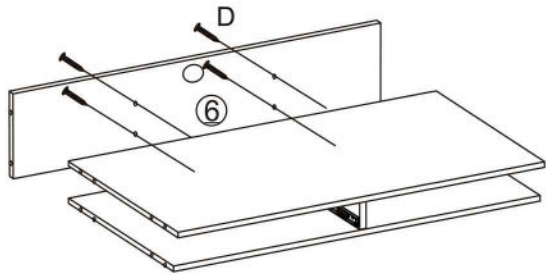
M4X25mm  
1pc

H

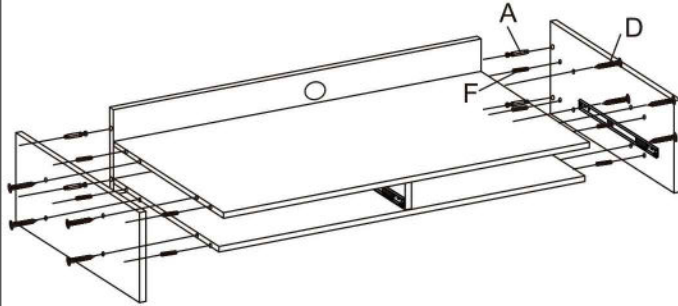


M4mm  
1pc

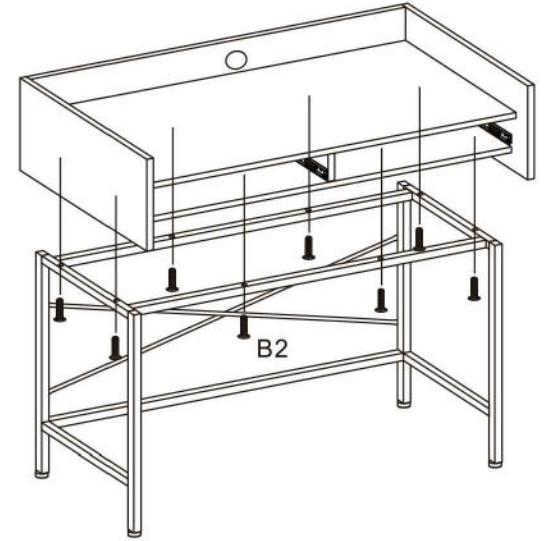
7



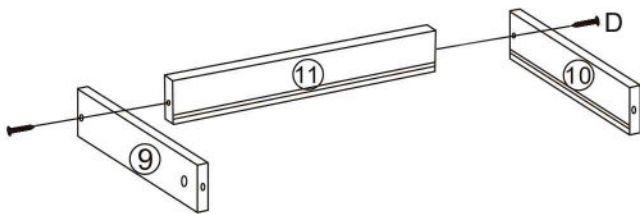
8



9

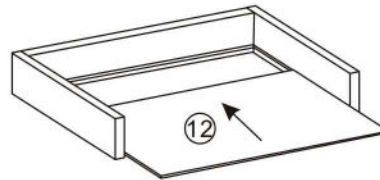


10



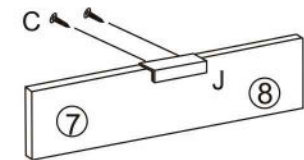
X 2

11



X 2

12

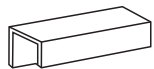


I



1pc

J



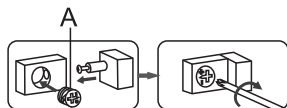
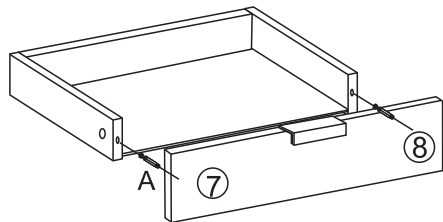
2pcs

K

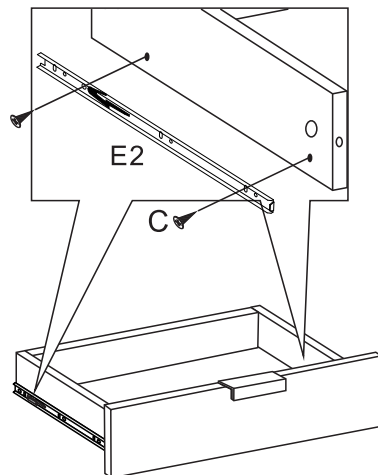


4pcs

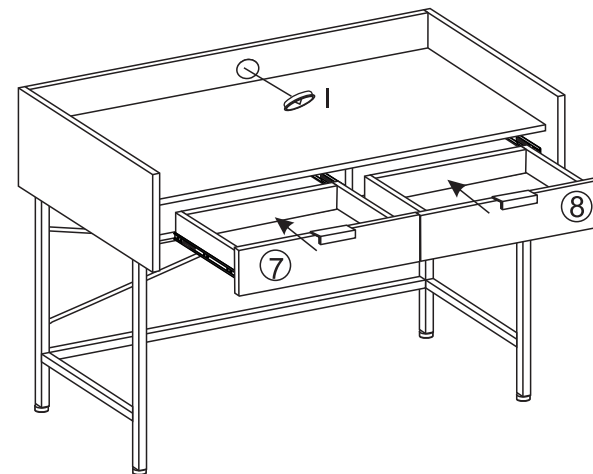
13



14



15



16

