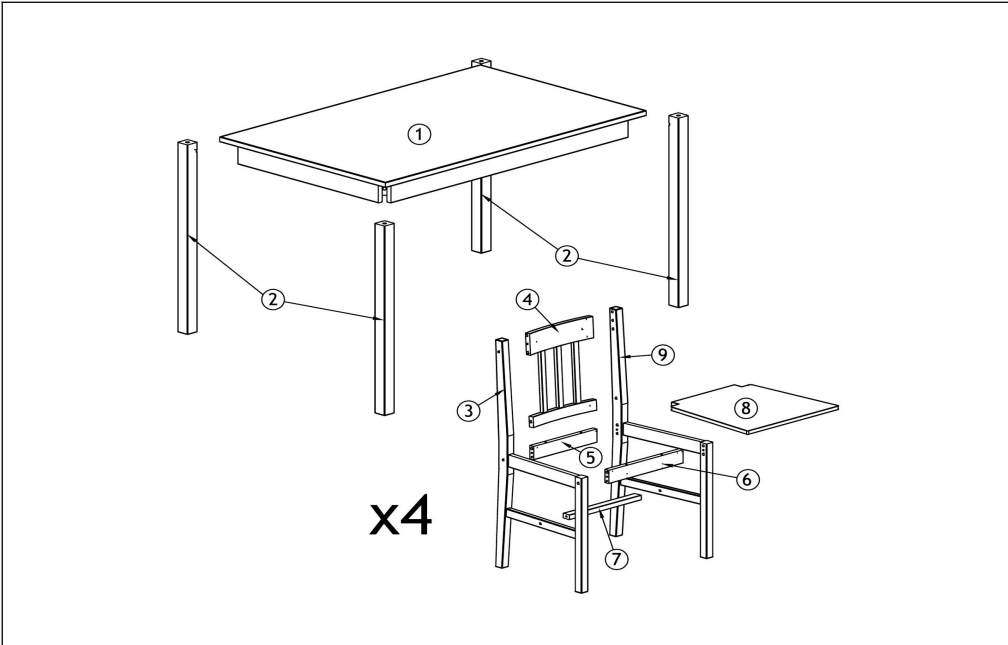









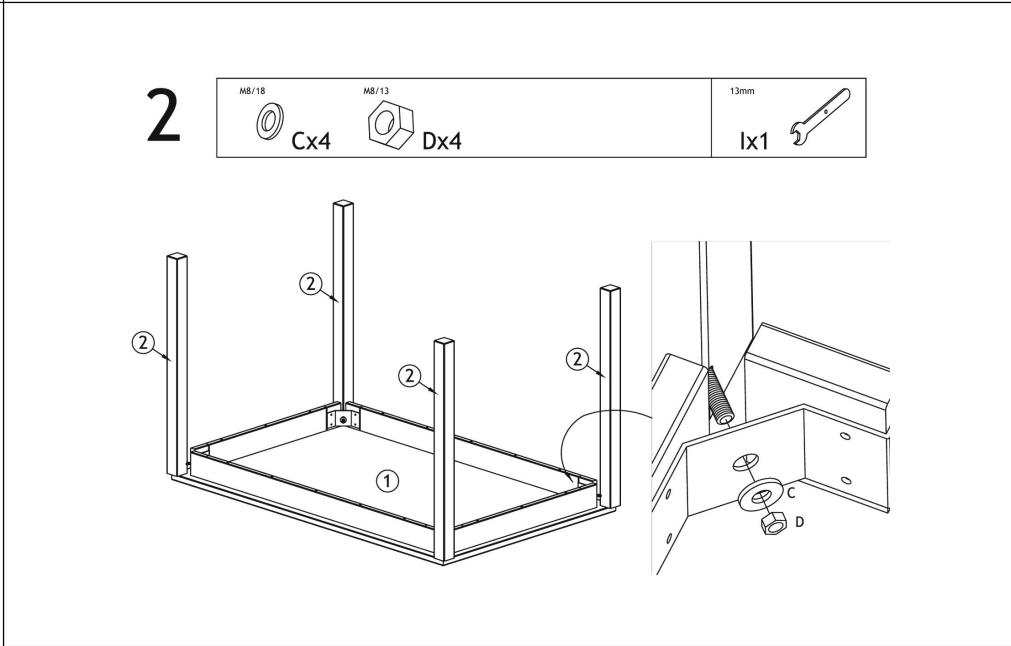
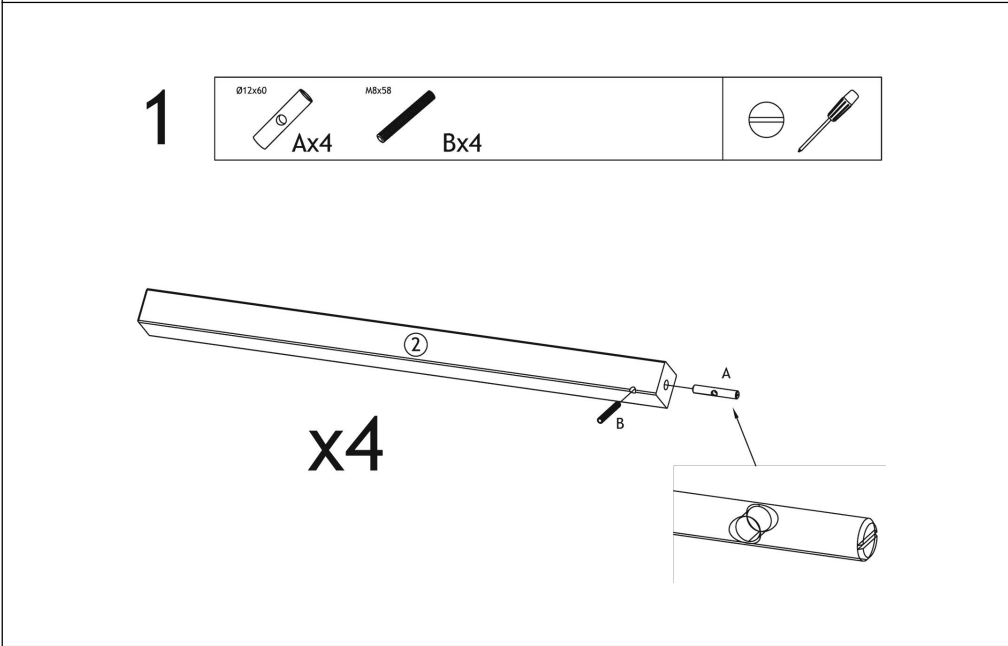


THE TABLE CHAIR CONSTRUCTION DIAGRAM

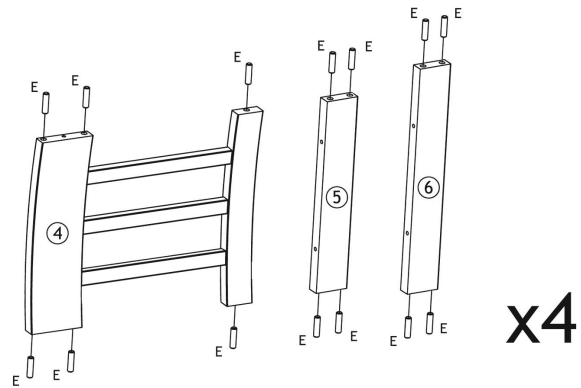


 Ø12x60 Ax4	 M8x58 Bx4	 M8/18 Cx4	 M8/13 Dx4	 Ø8x30 Ex56
 Ø7x70 Fx32	 Ø4x35 Gx16	 4MM Hx1	 13MM Ix1	

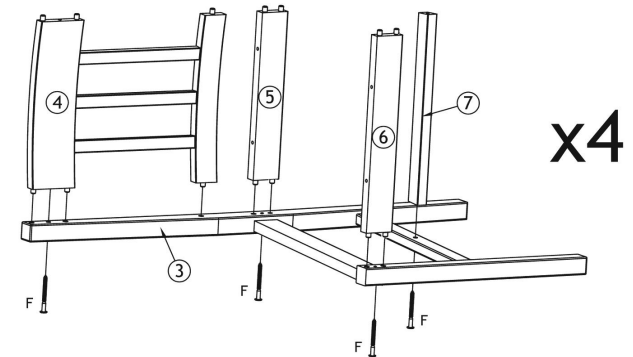


THE TABLE CHAIR CONSTRUCTION DIAGRAM

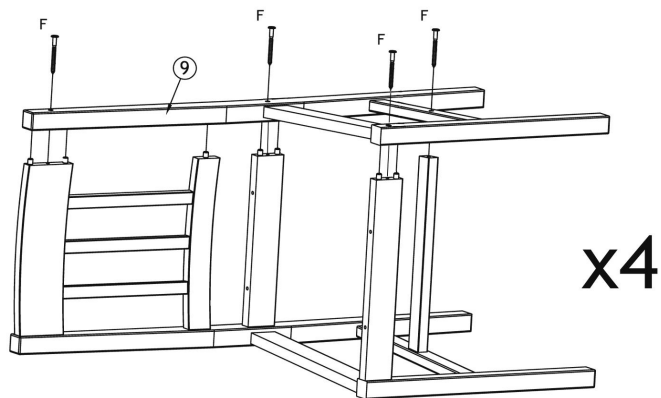
3



4



5



6

