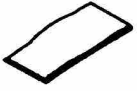


ASSEMBLING INSTRUCTION

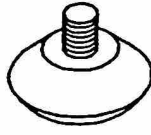
1.X1PC



2.X4PCS



3.X4PCS



A.X12PCS



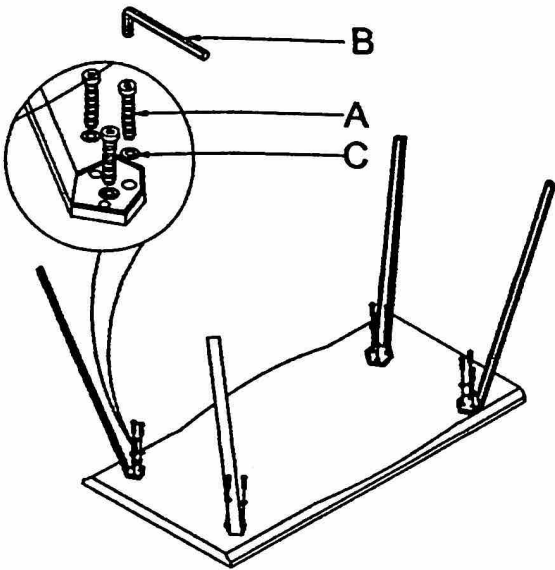
B.X1PC



C.X12PCS



1



2

