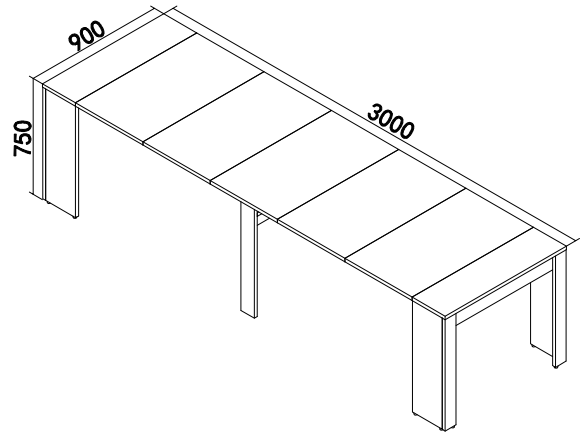


ASSEMBLY INSTRUCTIONS

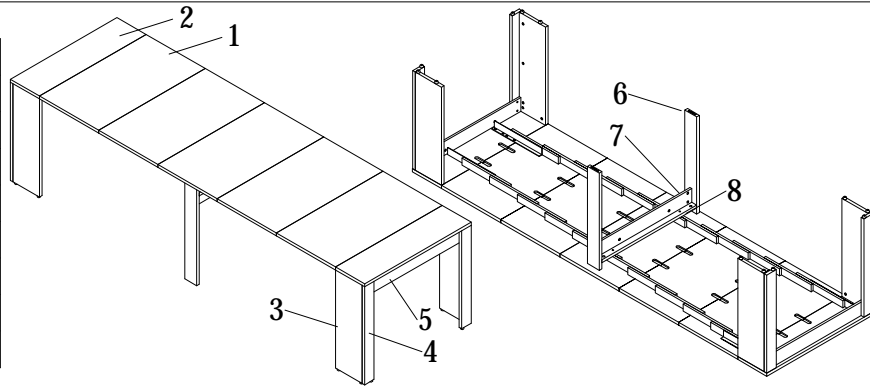
ES



1. Identify the parts which make up your piece of furniture.
2. Gather the hardware parts and count them.
3. Have the necessary tools ready.
4. Organize a space for assembly, wall carpeting or a blanket will protect the furniture again scratches.
5. Mount the furniture, never force the parts to be assembled.

FTER IT HAS BEEN USED FOR SOME TIME.
TRUCTION SINCE IT WILL HELP YOU WHEN YOU GET IN TOUCH WITH THE STORE IF A PART SHOULD BE MISSING.

1	900x500x22mm	5
2	900x245x22mm	2
3	717x222x22mm	4
4	717x80x22mm	4
5	855x100x15mm	2
6	710x100x15mm	2
7	800x100x15mm	1
8	800x100x15mm	1



TORNILLERIA Y HERRAJES

A		2	B	M6x16	16	C	M6x30	12	D	M6	12
E	M6	1	F	∅8x30	16	G	∅15	34	H	M6	34
I		2	J	M6x15	60	K		12	L		12
M	∅20	34	N		2						

🕒 tiempo de montaje:
20 minutos

👤 Número de personas: 2

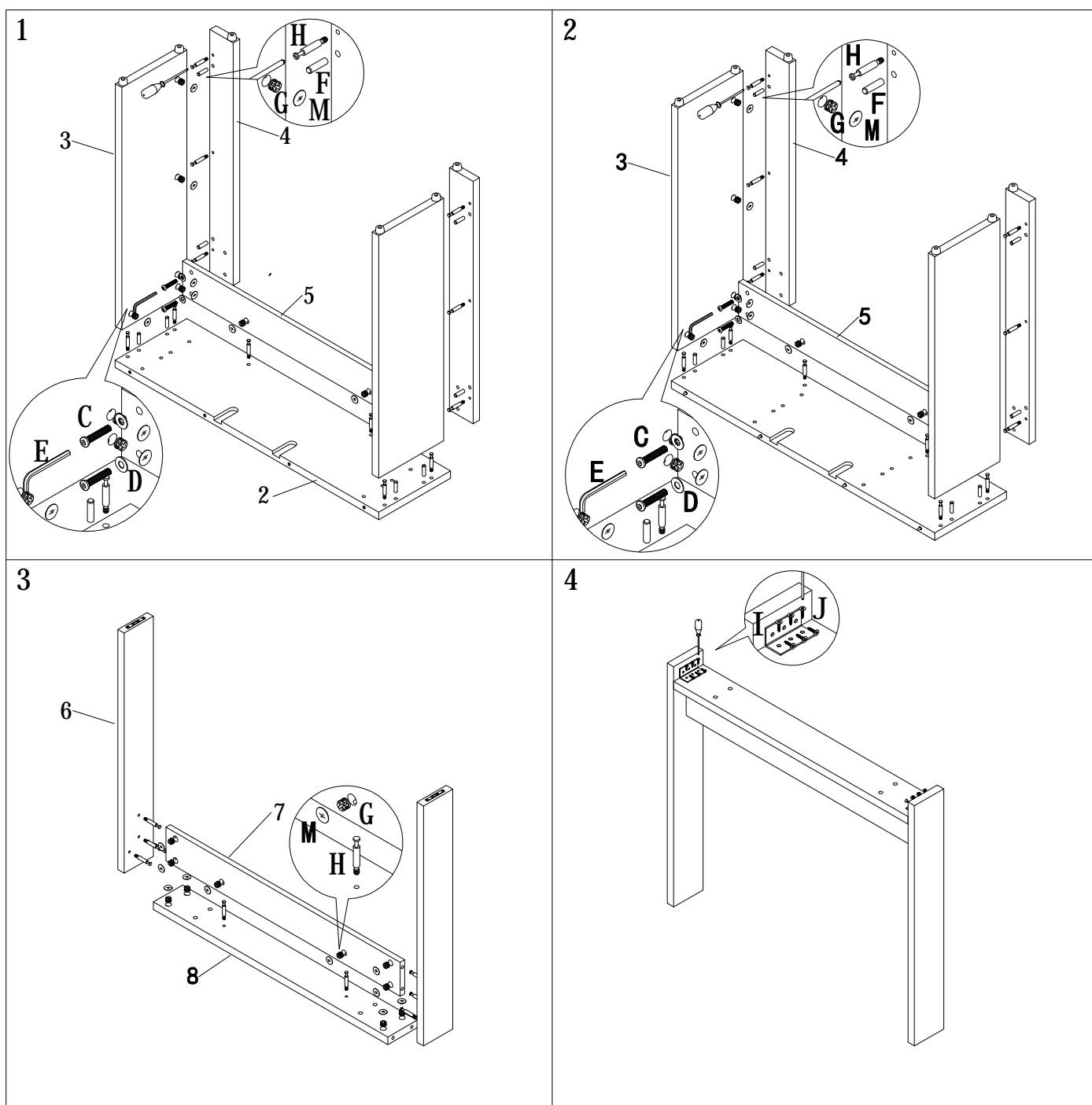
🔧 Herramientas 

🌀 Para el cuidado diario
utilizar solo un paño
suave.

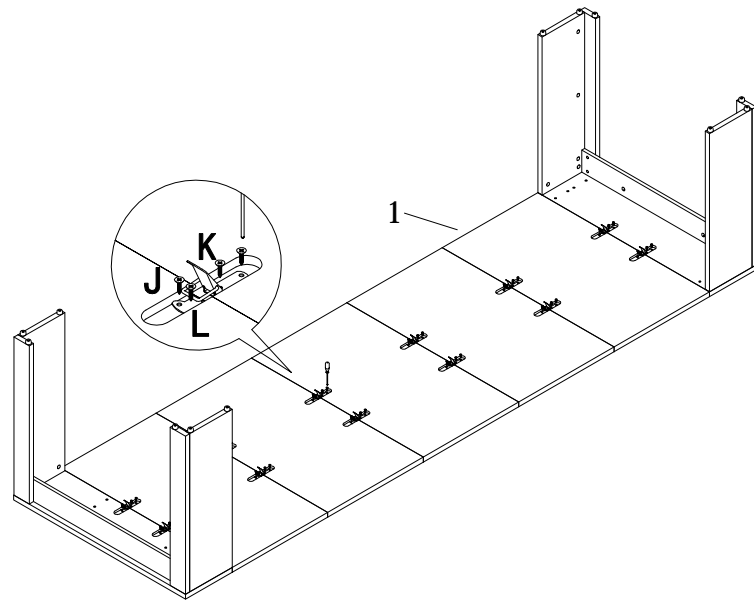
MONTAJE

(NO.)X(CANT.)

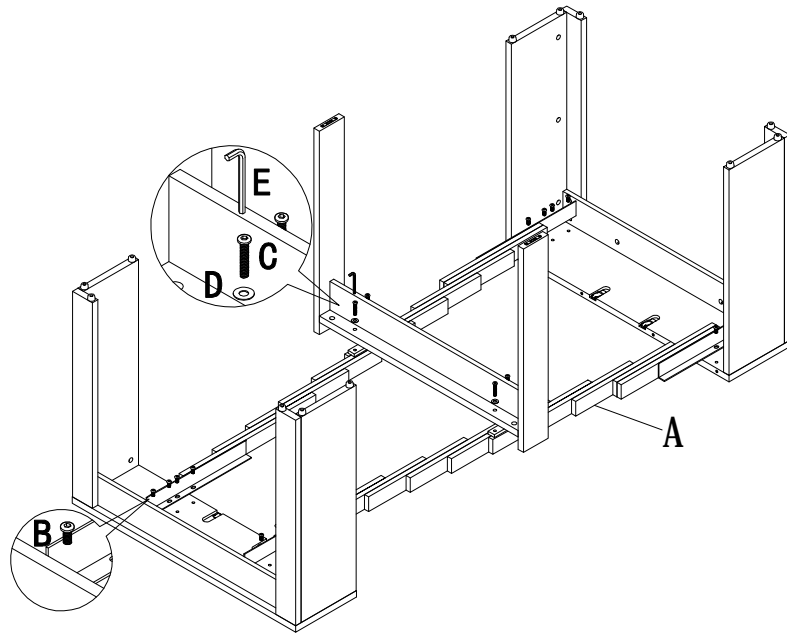
Ax2	Bx16	Cx12	Dx12	Ex1	Fx16
Gx32	Hx32	Ix2	Jx60	Kx12	Lx12
Mx2					



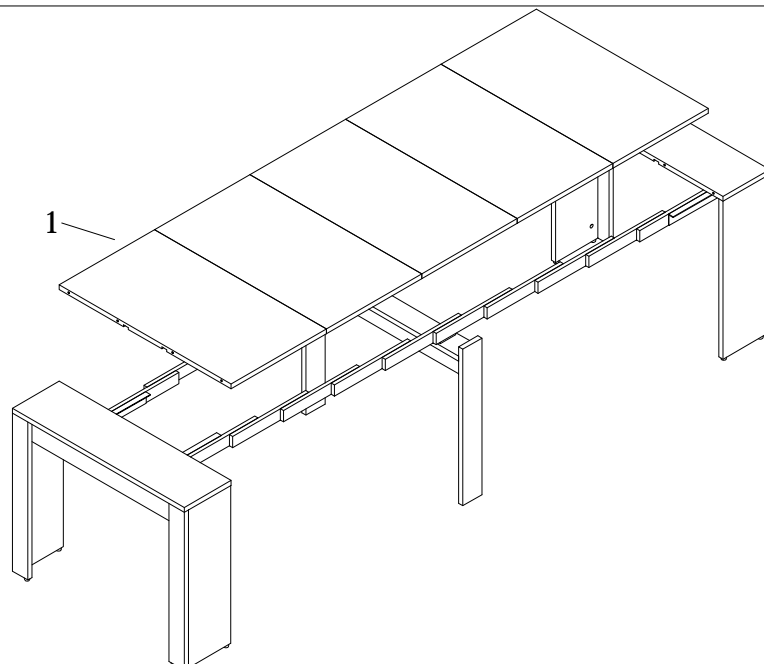
5



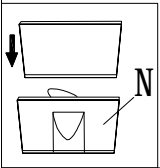
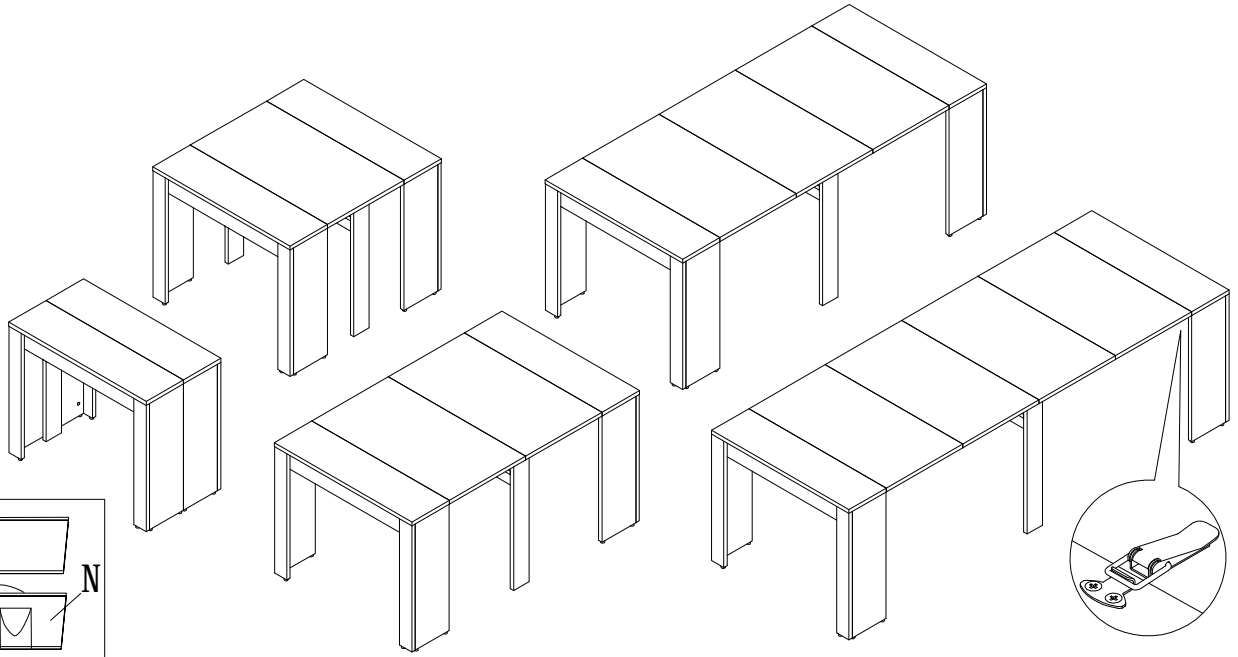
6



7



8



9

