






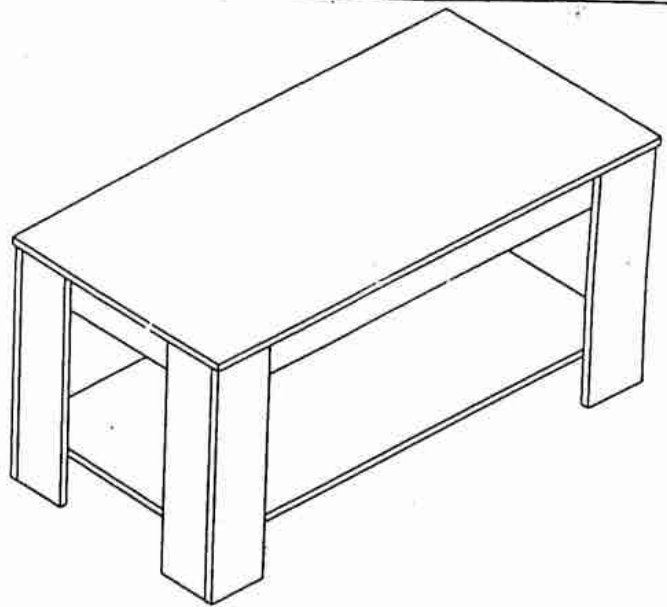


Product installation drawing

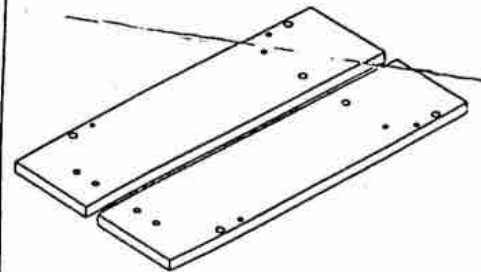
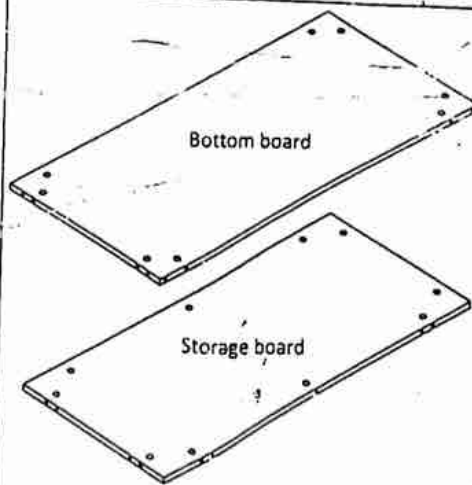
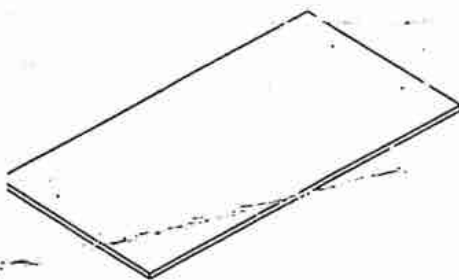
Model#	Coffee table	Dimension of product	1000*500*500	Version No	A0	Drawing No	-008
--------	--------------	----------------------	--------------	------------	----	------------	------

Tools	NO	Appearance	Specification of the parts	QTY
Straight screwdriver	1		3 in 1 screw	26PCS
	2		3 in 1 nut	26PCS
Cross screwdriver	3		wooden plug	24PCS
	4		tapping screw 23.5*35	8PCS
Hammer	5		grub screw	16PCS
	6		tapping screw 24*16	24PCS
Electric drill	7		mechanism	2PCS

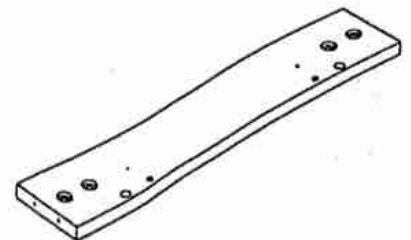
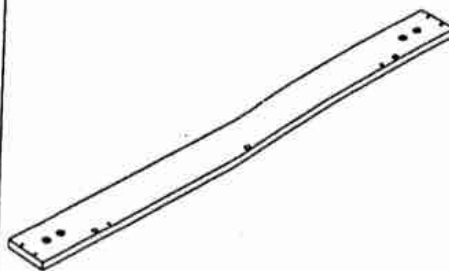
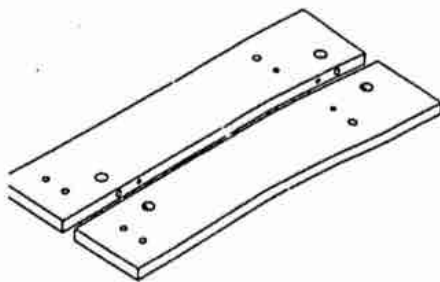


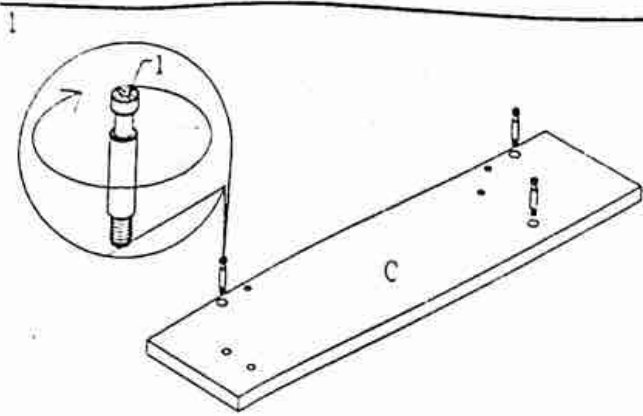
you have electric drill, it will be more easier and faster to assemble

NO	Part name	Dimension of the part	QTY	NO	Part name	Dimension of the part	QTY	NO	Part name	Dimension of the part	QTY
A	Top board	1000*500*15	1	B	Bottom board	959*460*15	1	C	Leg A	485*120*15	4
				J	Storage board	929*430*15	1				



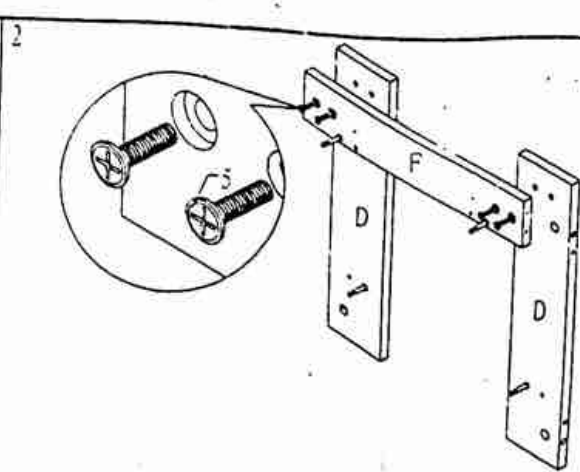
NO	Part name	Dimension of the part	QTY	NO	Part name	Dimension of the part	QTY	NO	Part name	Dimension of the part	QTY
D	Leg B	485*105*15	4	E	Long brace	959*80*15	2	F	Short brace	430*80*15	2





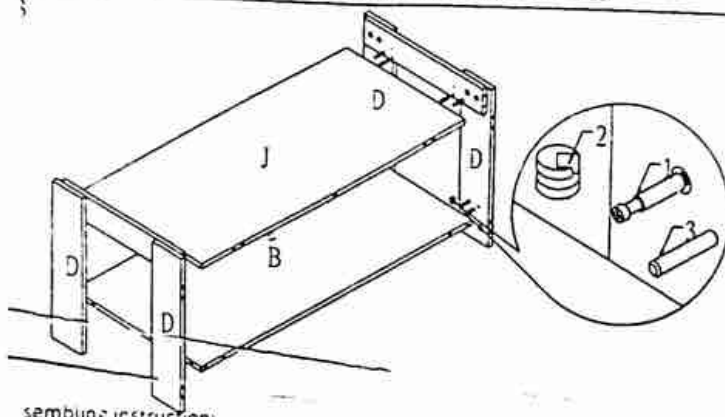
Assembling instruction:

Take out all the parts and confirm that, if all the parts are ready. Put the leg (No.C) flat, install the 3 in 1 screws (No.1) into the plastic holes.



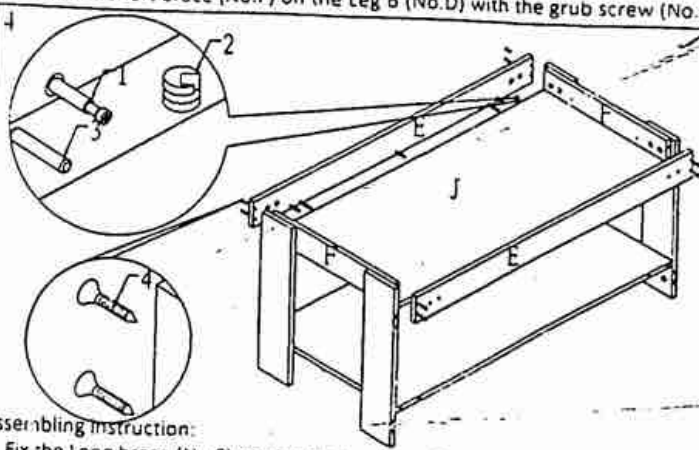
Assembling instruction:

Fix the Short brace (No.F) on the Leg B (No.D) with the grub screw (No.5)



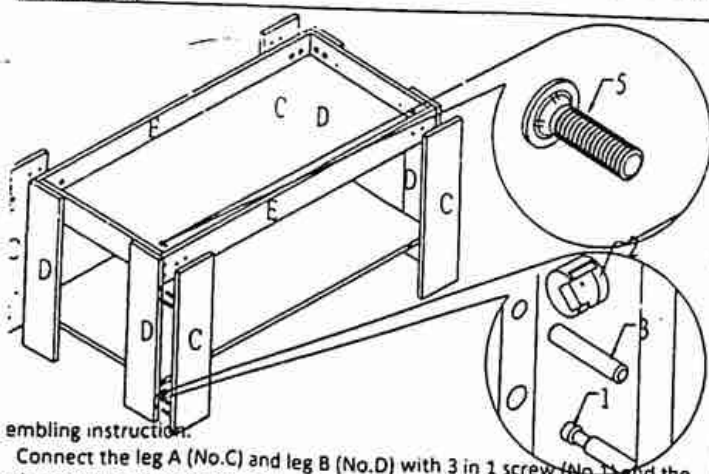
Assembling instruction:

Fix the Bottom board (No.B) and the Storage board (No.J) on the Leg B (No.D) with 3 in 1 screw (No.1) and the wooden plug (No.3), then tightening the 3 in 1 nut (No.2).



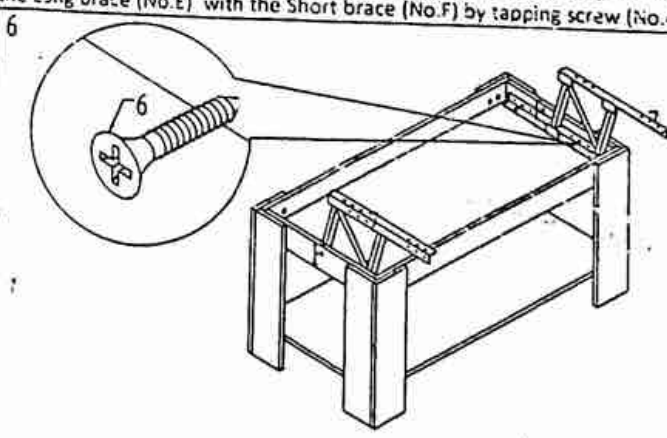
Assembling instruction:

Fix the Long brace (No.E) on the Storage board (No.J) with 3 in 1 screw (No.1) and the wooden plug (No.3), then tightening the 3 in 1 nut (No.2). Then fix the Long brace (No.E) with the Short brace (No.F) by tapping screw (No.4).



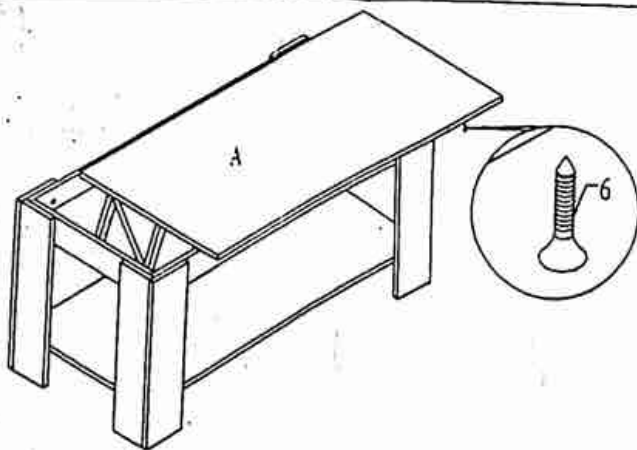
Assembling instruction:

Connect the leg A (No.C) and leg B (No.D) with 3 in 1 screw (No.1) and the wooden plug (No.3), tightening the 3 in 1 nut, and tightening the grub screw (No.5)



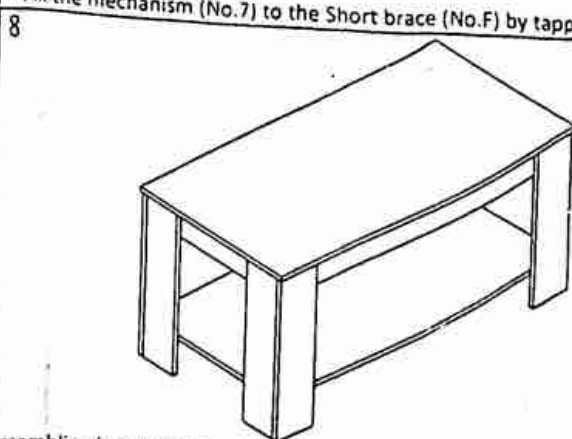
Assembling instruction:

Fix the mechanism (No.7) to the Short brace (No.F) by tapping screw (No.4).



Assembling instruction:

Fix the mechanism (No.7) to the Top board (No.A) by tapping screw (No.4).



Assembling instruction:

Assembling is finished, it will look like the picture, please check carefully and make sure that it can be used.