

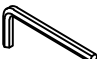
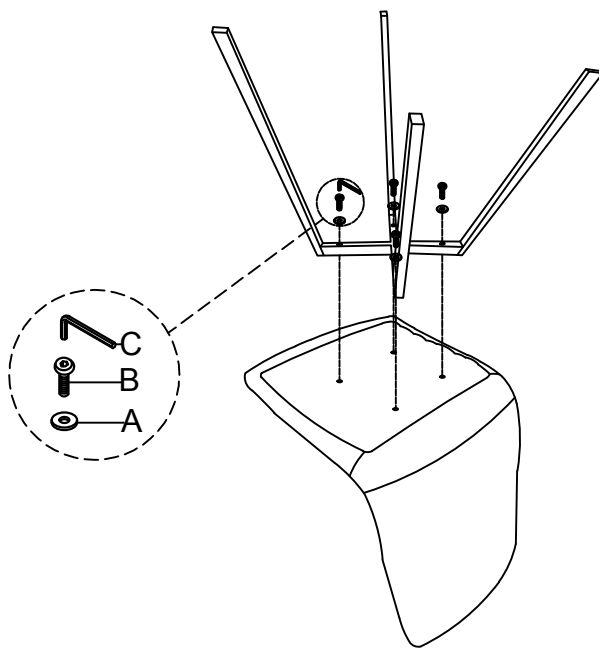


# ASSEMBLY INSTRUCTION

<b>A</b>  φ6*φ18*1.5 x4	<b>B</b>  M6*40 x4	<b>C</b>  M5 x1
--	---	--

## STEP 1



## STEP 2

