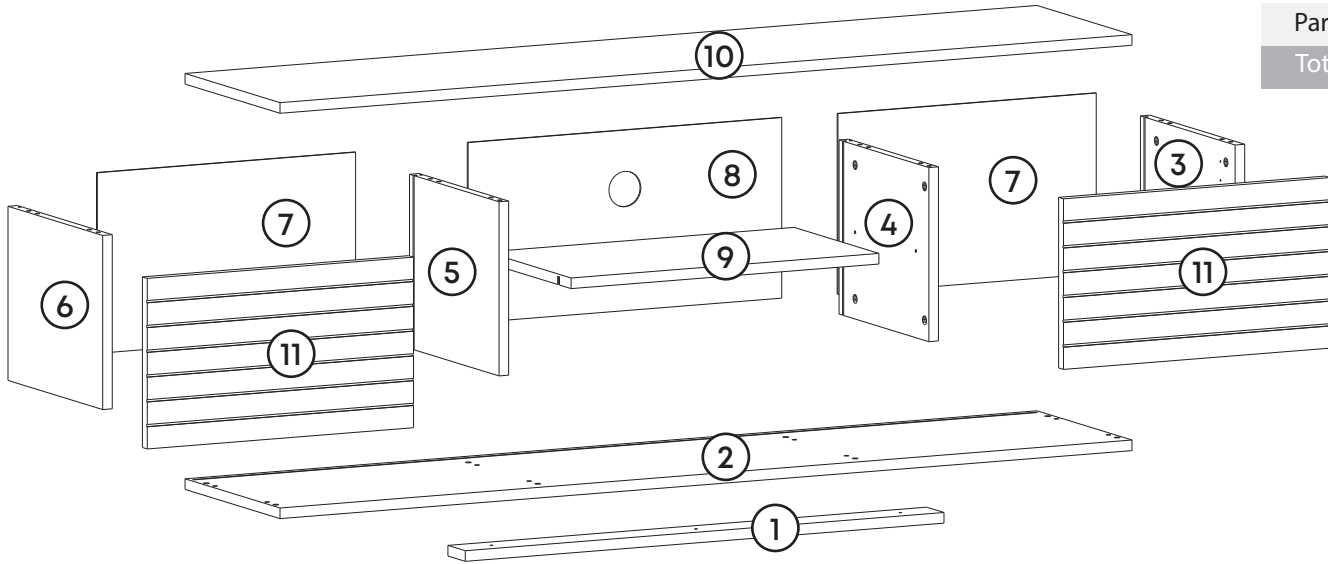
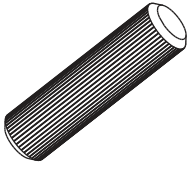
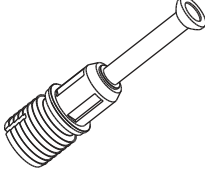
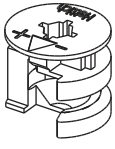
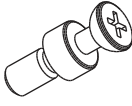

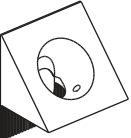
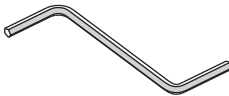




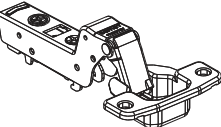
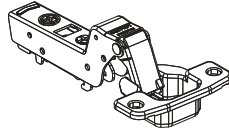


Components

Part1	1x
Part2	1x
Part3	1x
Part4	1x
Part5	1x
Part6	1x
Part7	2x
Part8	1x
Part9	1x
Part10	1x
Part11	2x
Total	13x

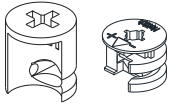


Accessory Parts

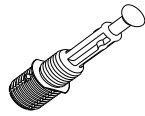
A01  Dowel Q8 16x	A02  Minifix Screw 16x	A03  Minifix Head 16x	A04  Rafix Screw 4x	A06  Sticker 16x	A08  Nail 12x
A09  Allen 1x	A15  Leg 4x	A17  3,5 x 16 Screw 44x	A21  3,5 x 30 Screw 3x	A28  Hinge Base 4x	A33  Full Hinge 2x
A34  Full Hinge Brake 2x					

How to instal Components

*Minifix is the main connection component used in Minima products. Before starting, please check the below figures



MINIFIX
HEAD

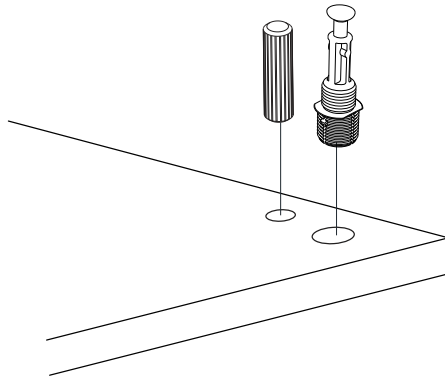


MINIFIX
SCREW

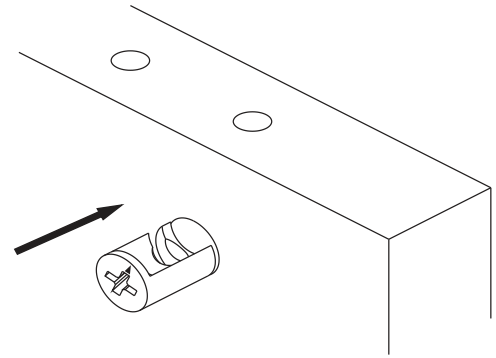


DOWEL

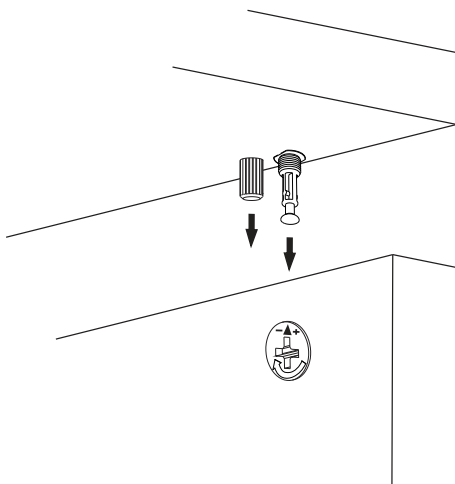
If the dowel is not required during the installation phase, it is not included in the package.



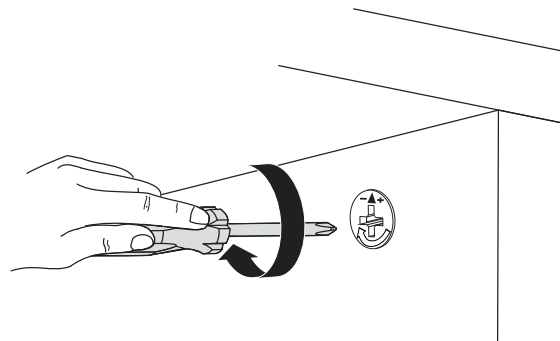
*Please notice that there is an small arrow on A03 (minifix head). This arrow should show the direction of upper hole.



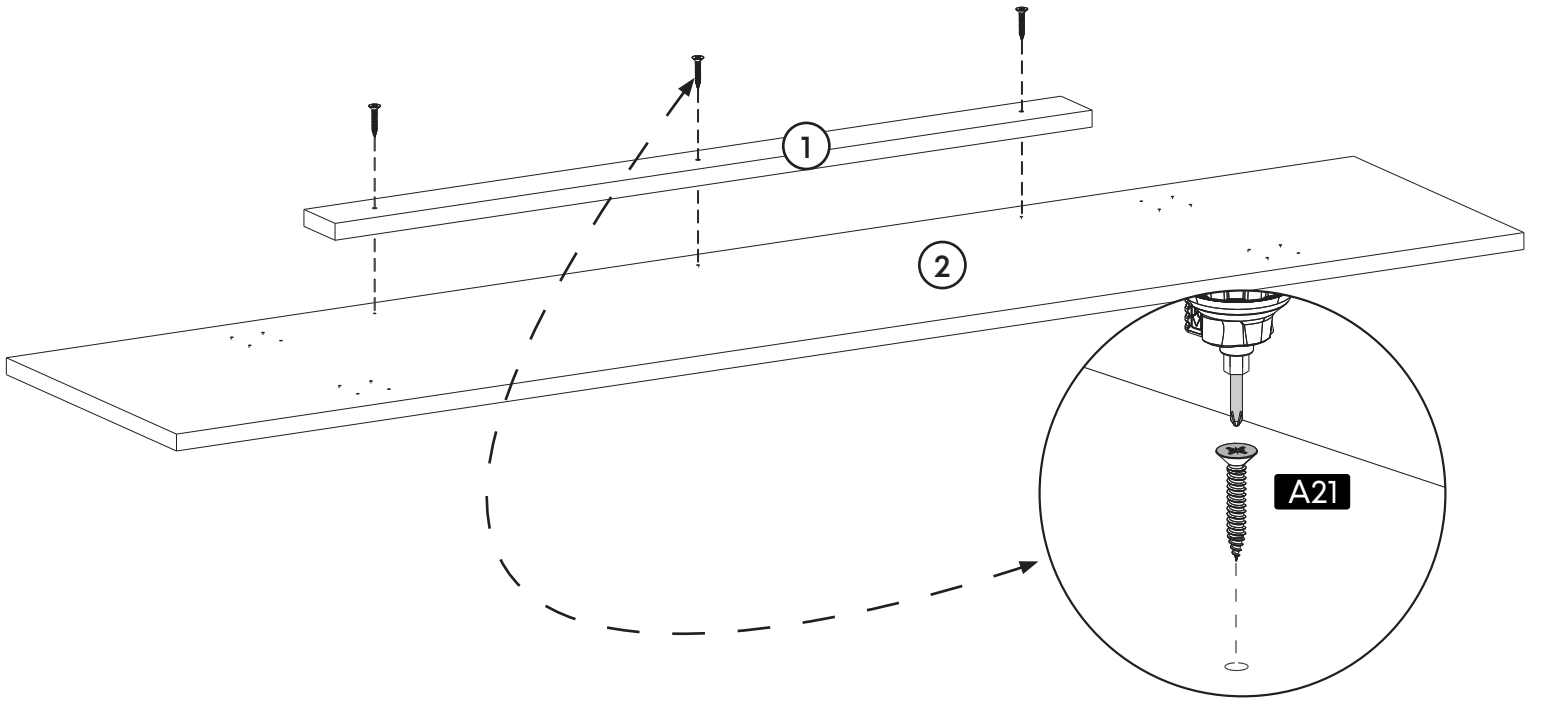
*After attaching two pieces please turn the A03 (minifix head) clockwise direction with the help of a screwdriver.



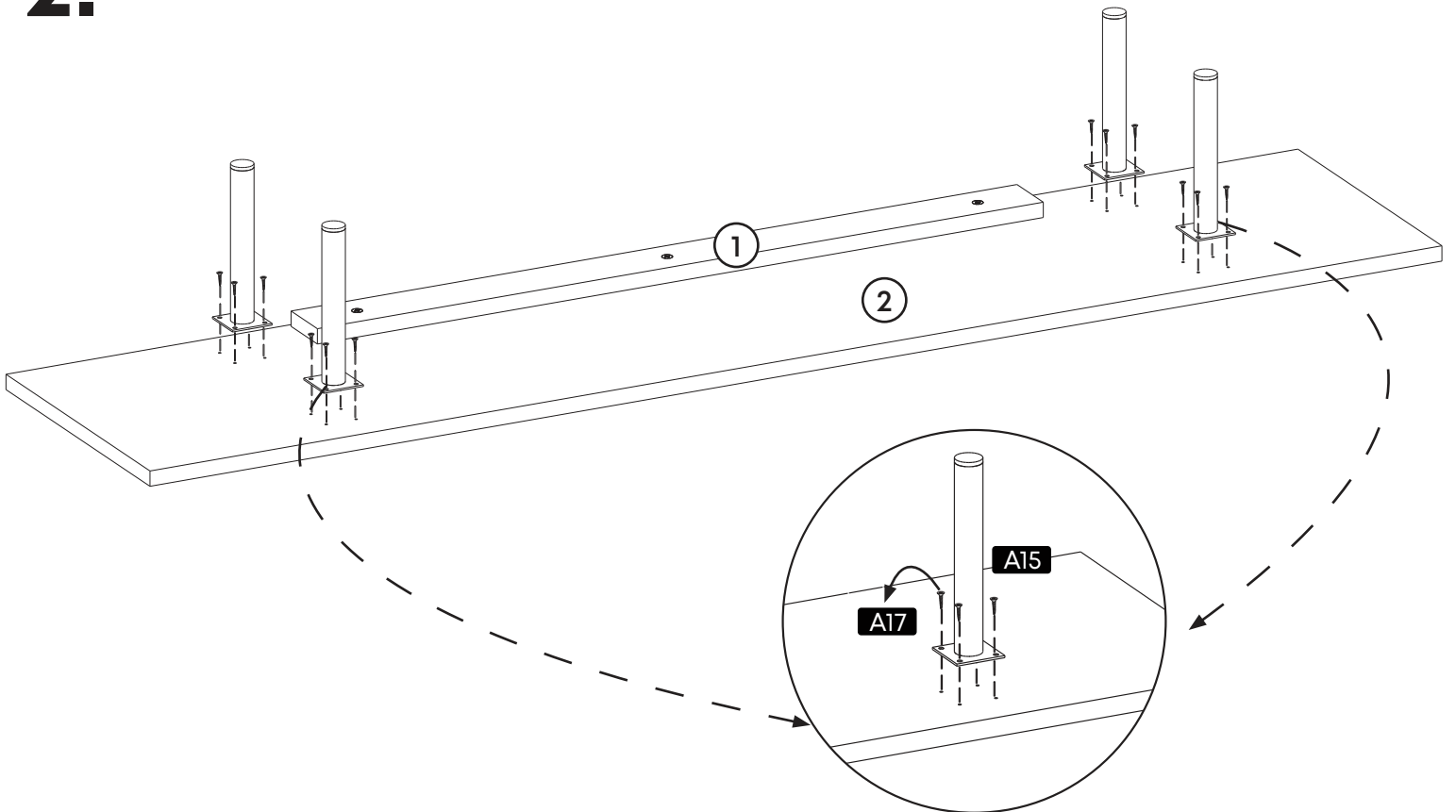
*Please do not over screw the minifix head since it may be broken if too much power is imposed. Just make sure that it is screwed to the direction "+" do not go any further.



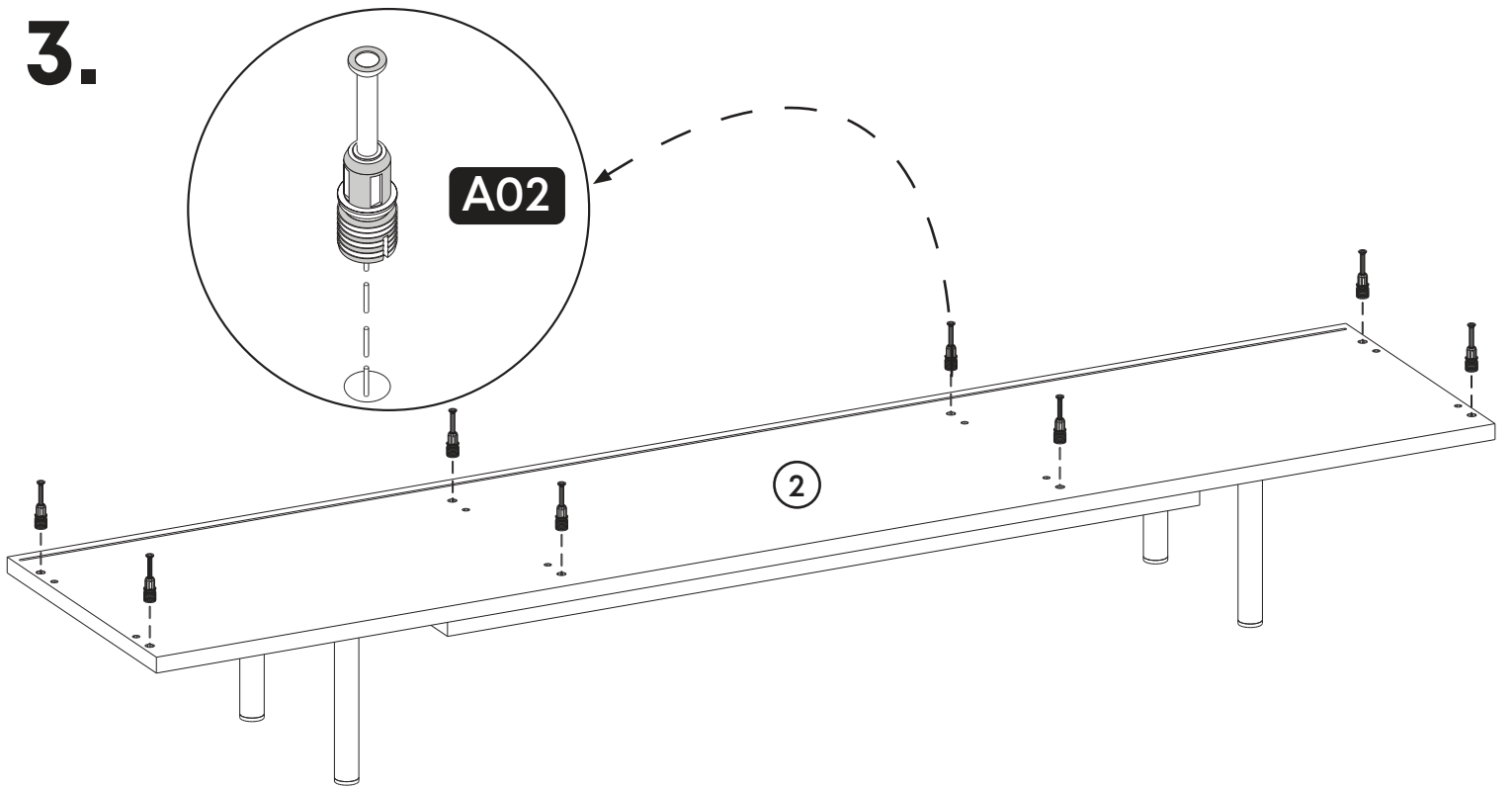
1.



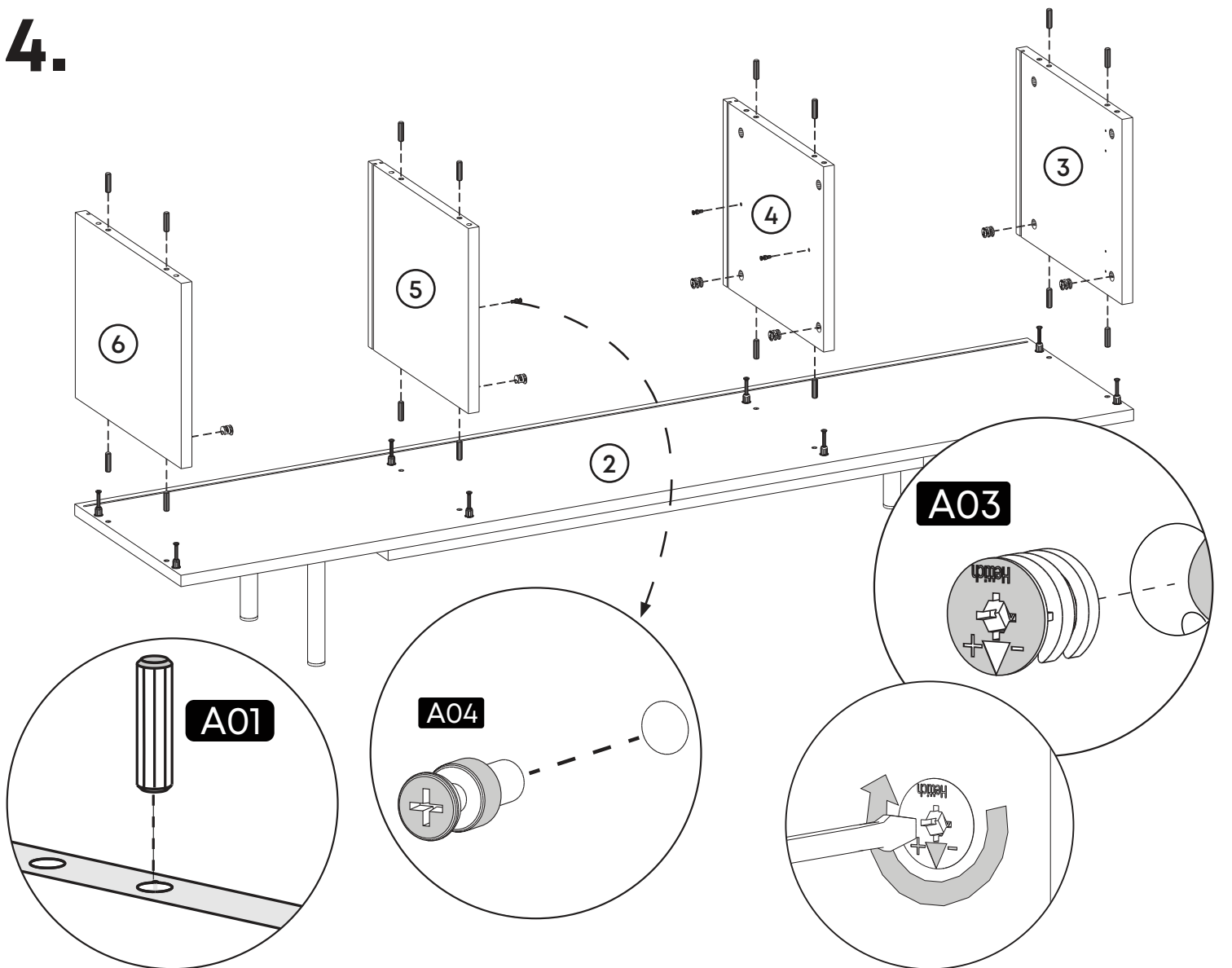
2.



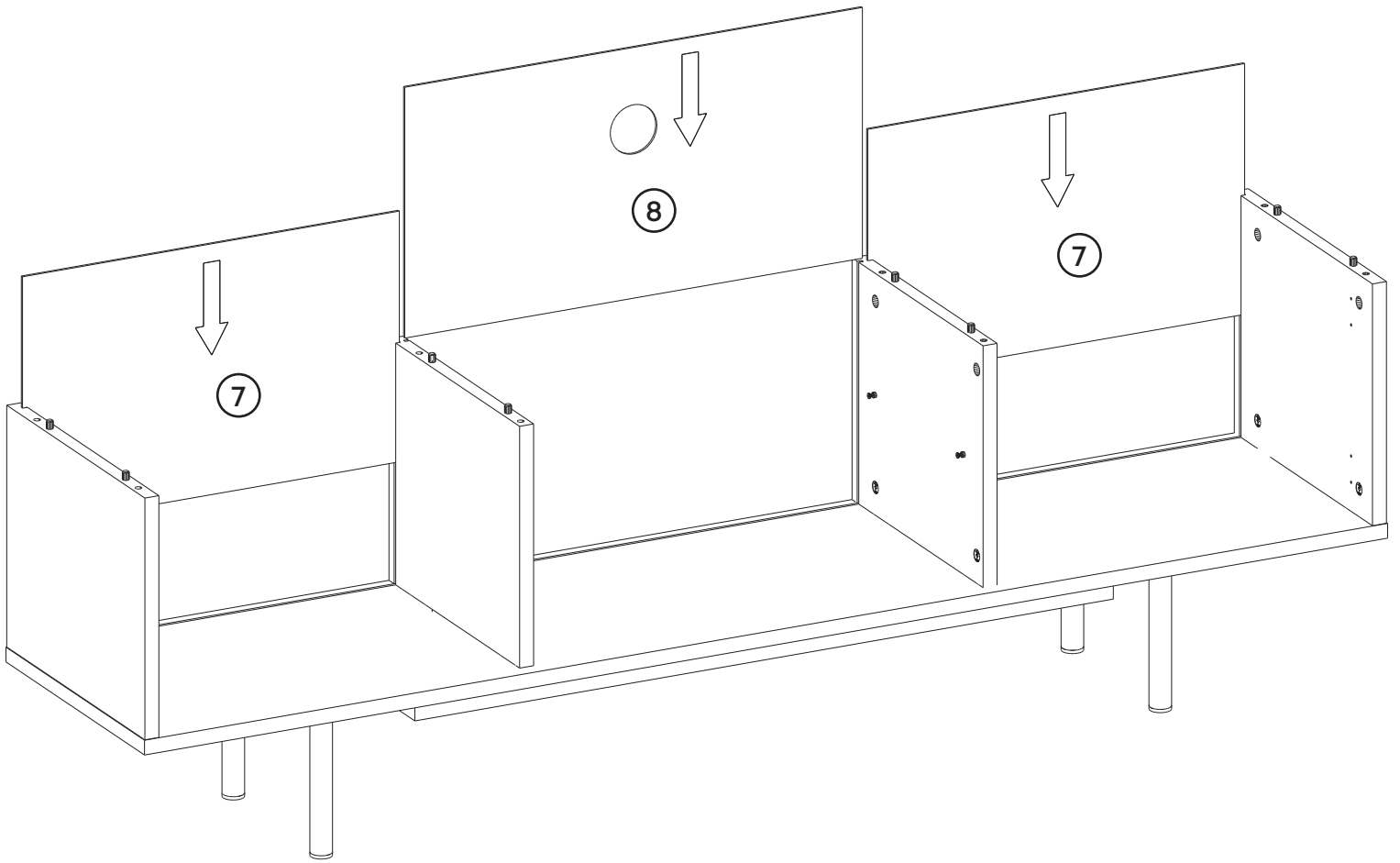
3.



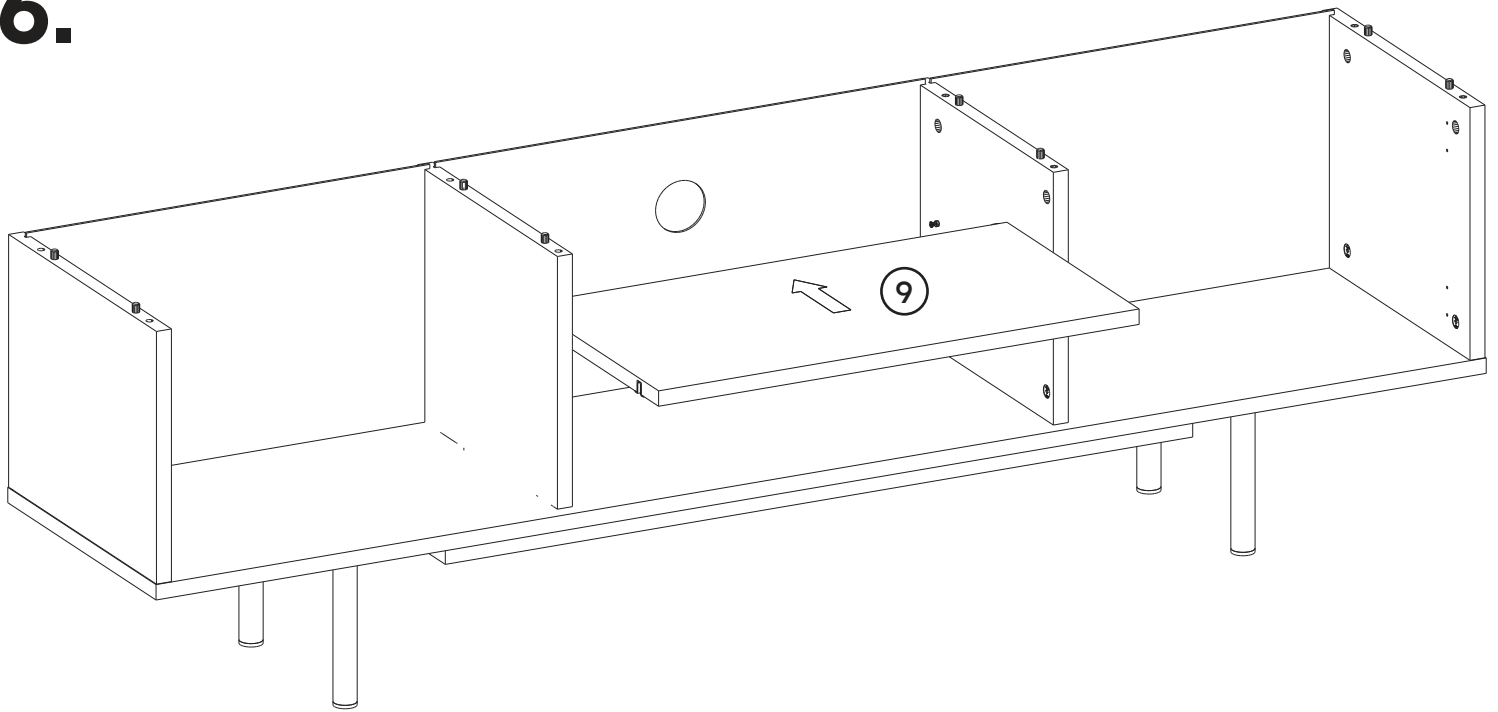
4.



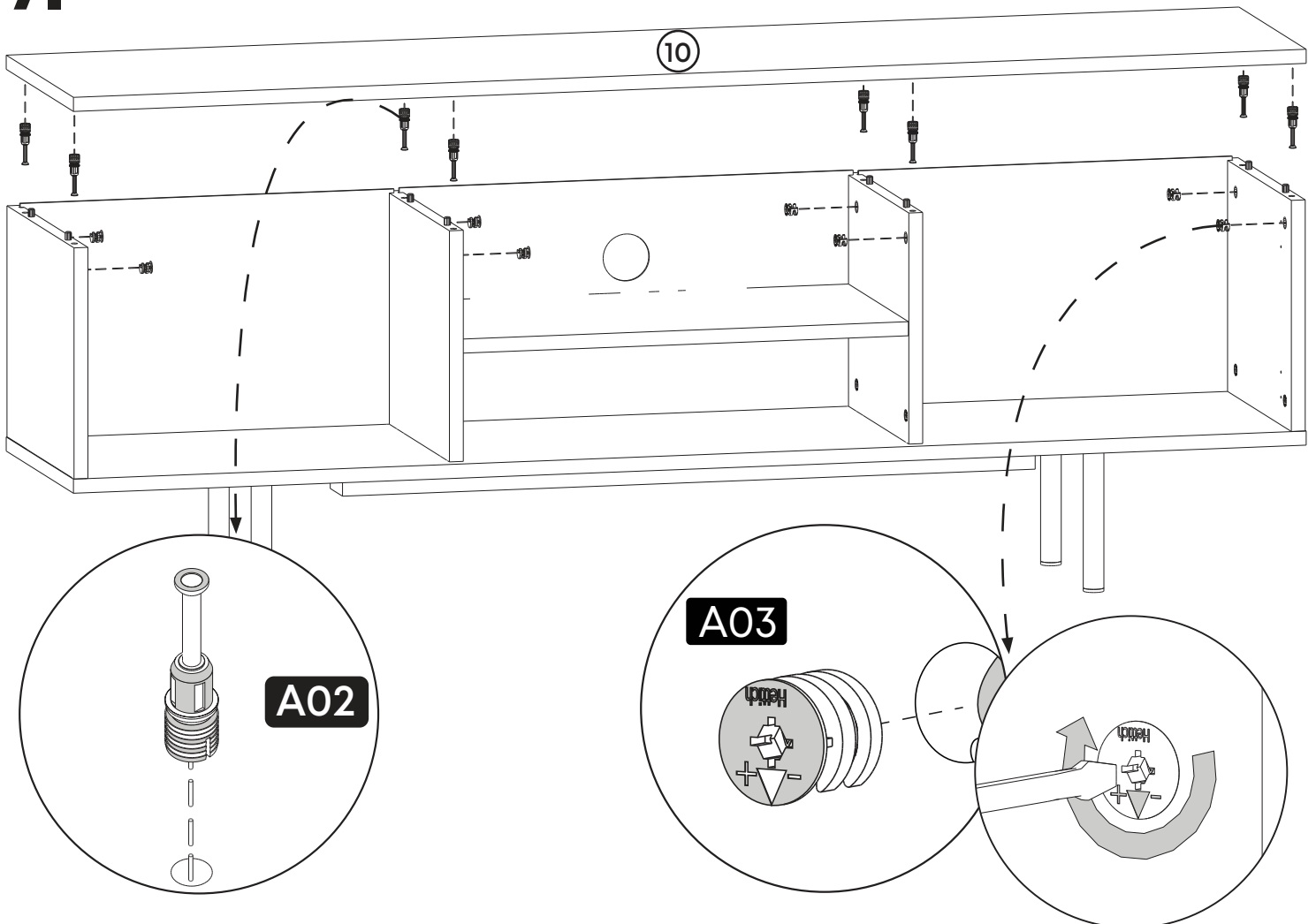
5.



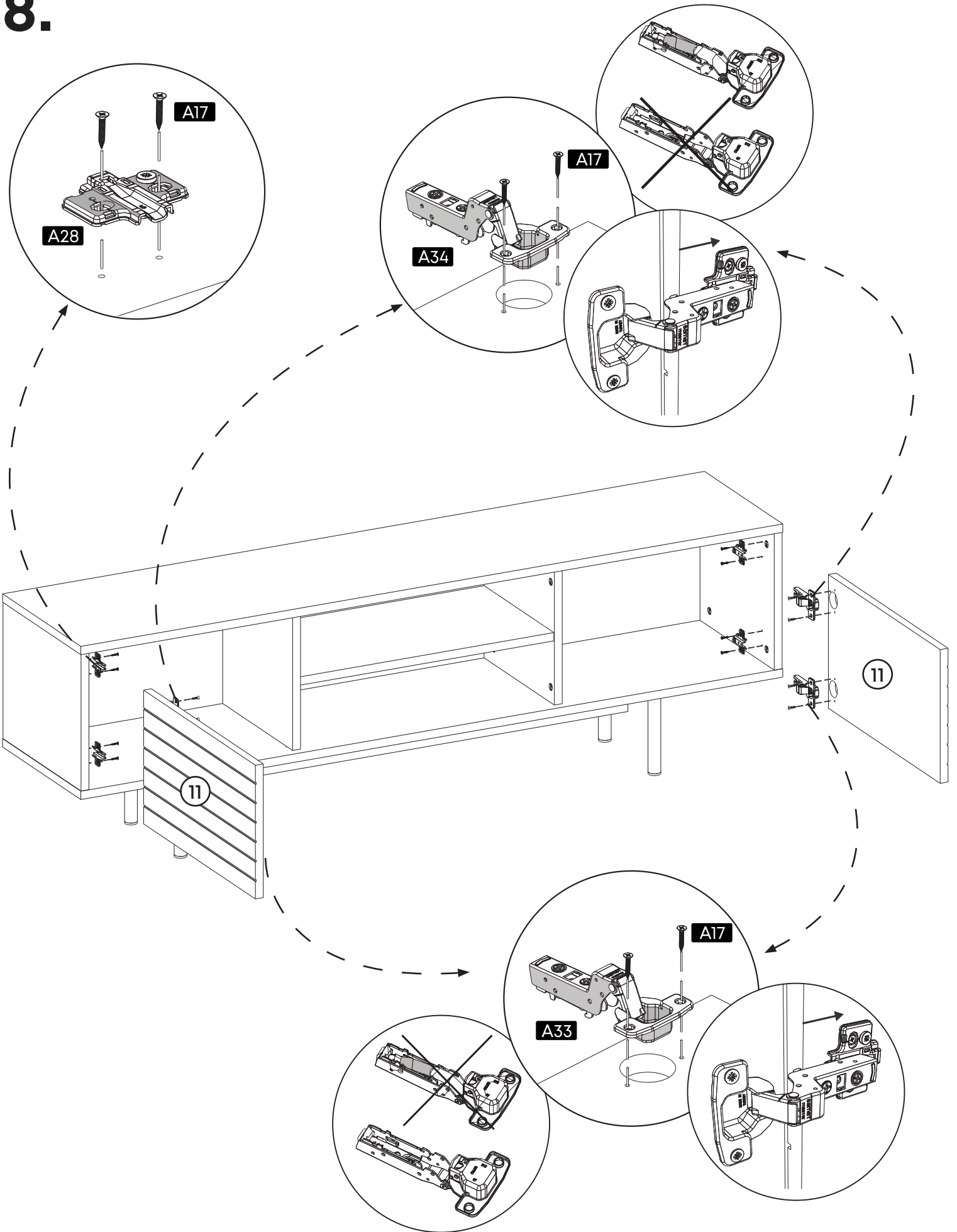
6.



7.

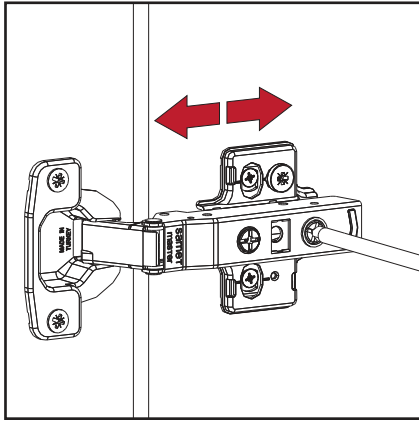


8.

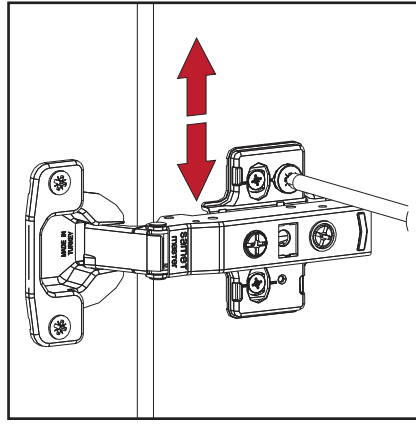


9.

Settings of Hinge



Settings of Hinge



Settings of Hinge

