





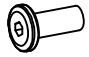



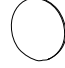


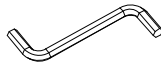
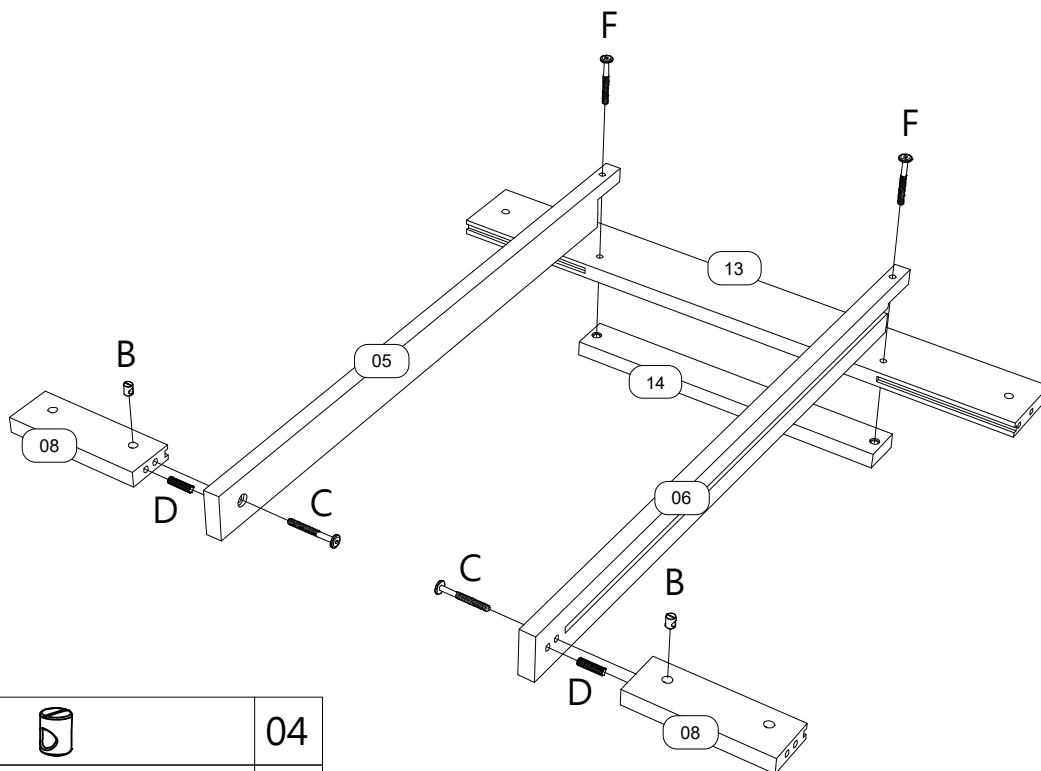




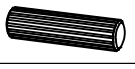

# HARDWARE

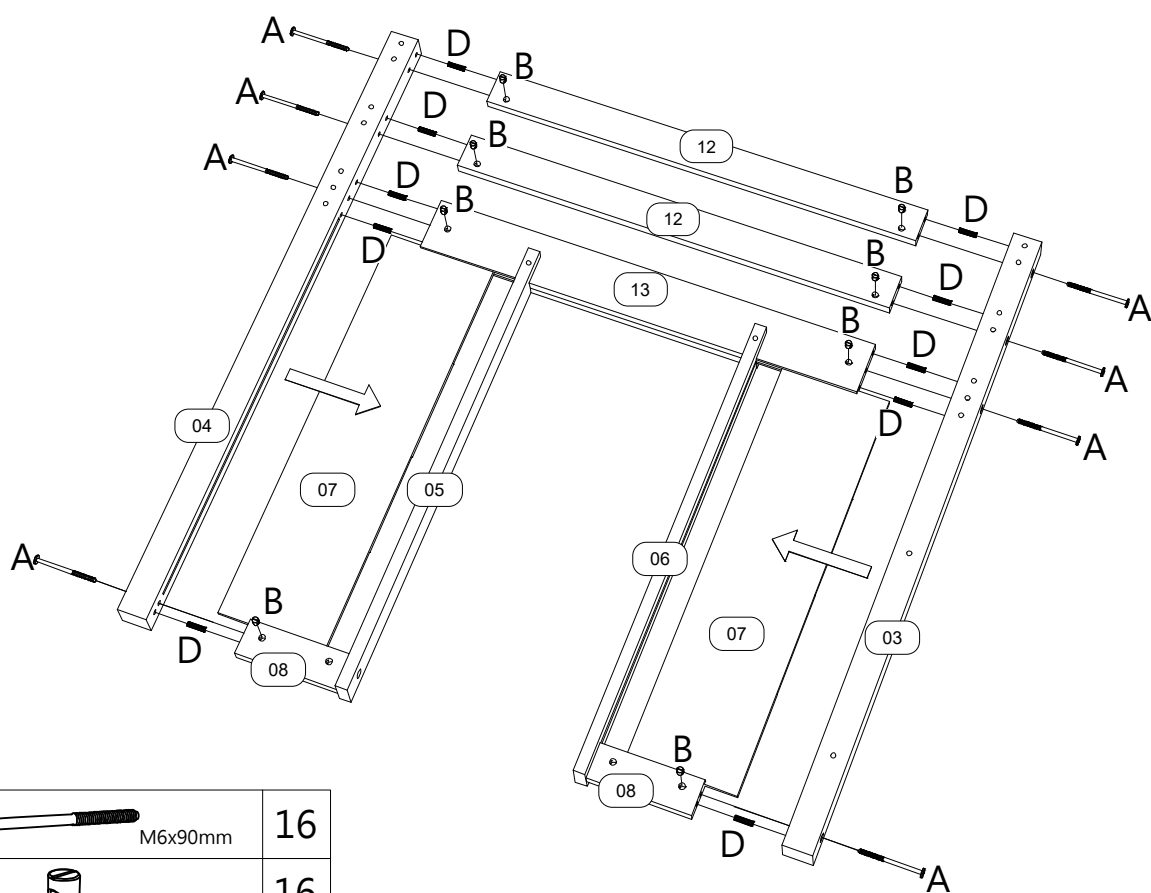
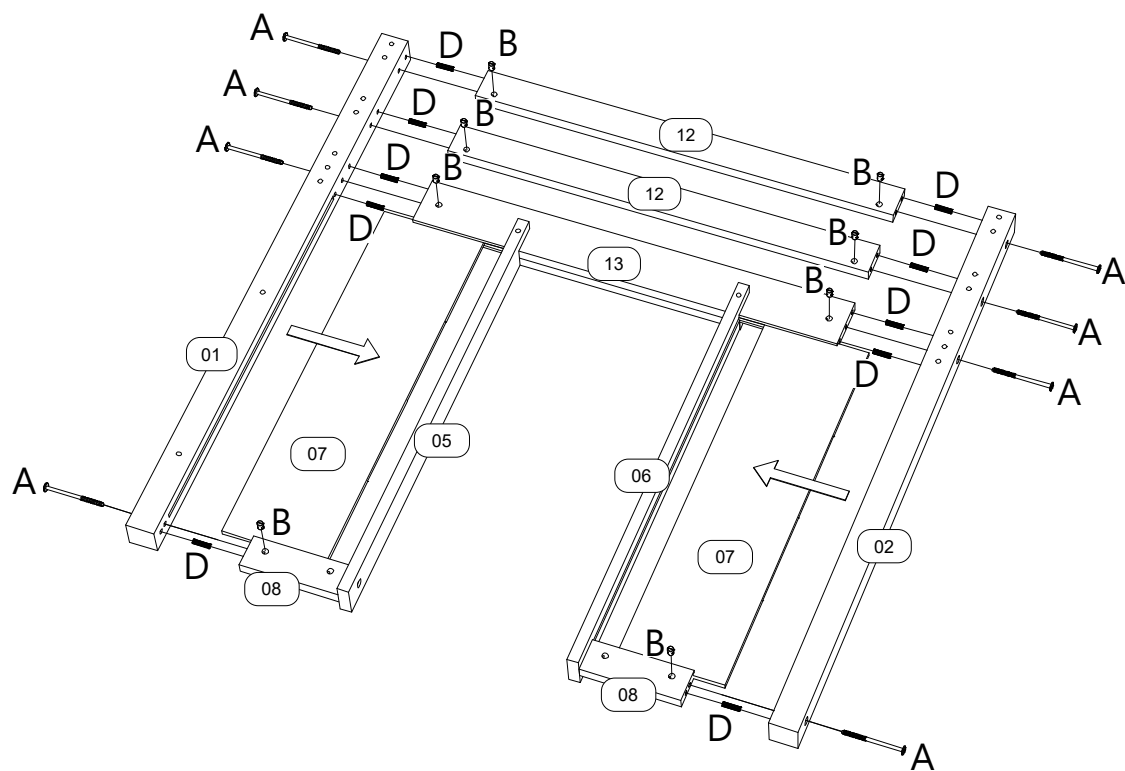
A	 M6x90mm	32
B		56
C	 M6x60mm	08
D	 Ø8x30mm	102
E	 M6x50mm	50
F	 M6x50mm	28
G	 M6x20-Ø8mm	11



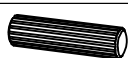
H	 M6x25mm	03
J		08
M	 Ø4x30mm	30
N		106
K		08
S	 Ø4x16mm	18
Z	 M4	02



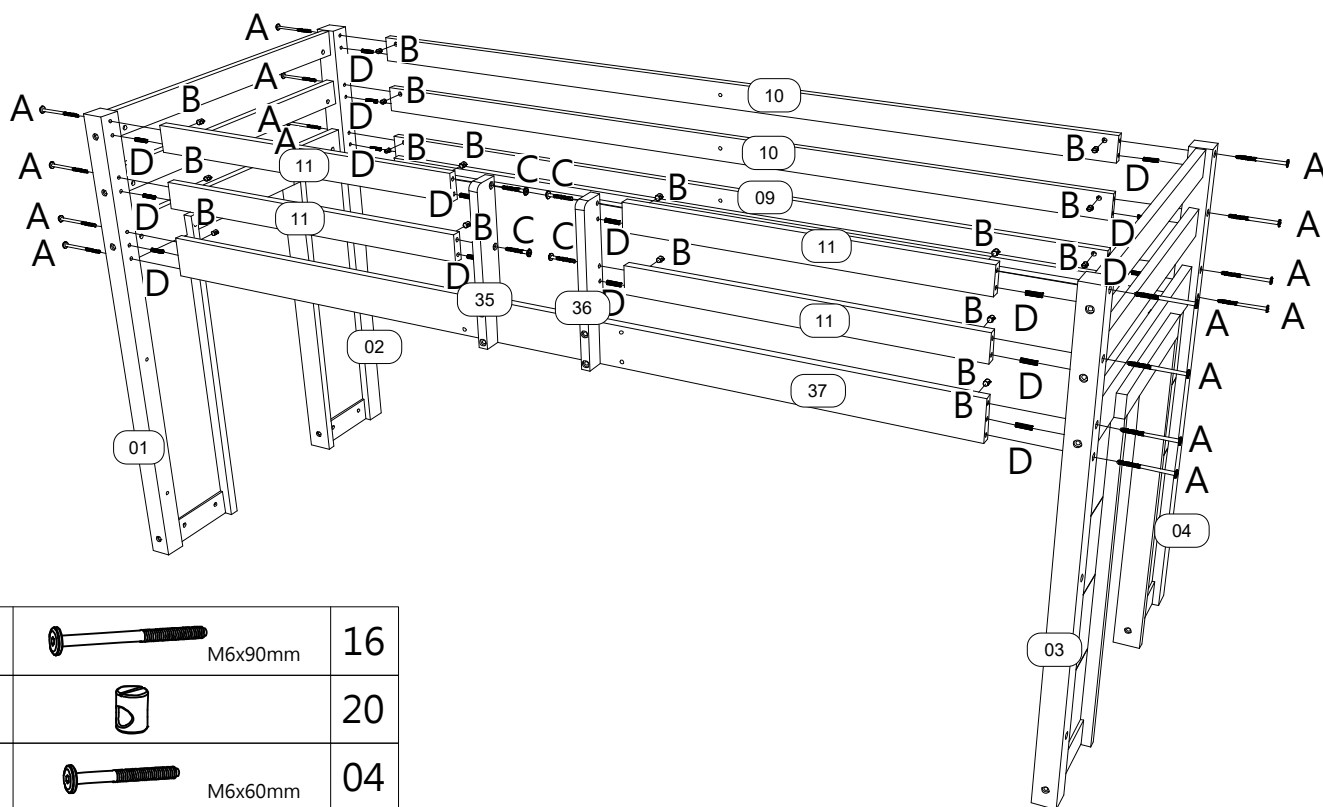
X2





B		04
C	 M6x60mm	04
D	 Ø8x30mm	04
F	 M6x50mm	04



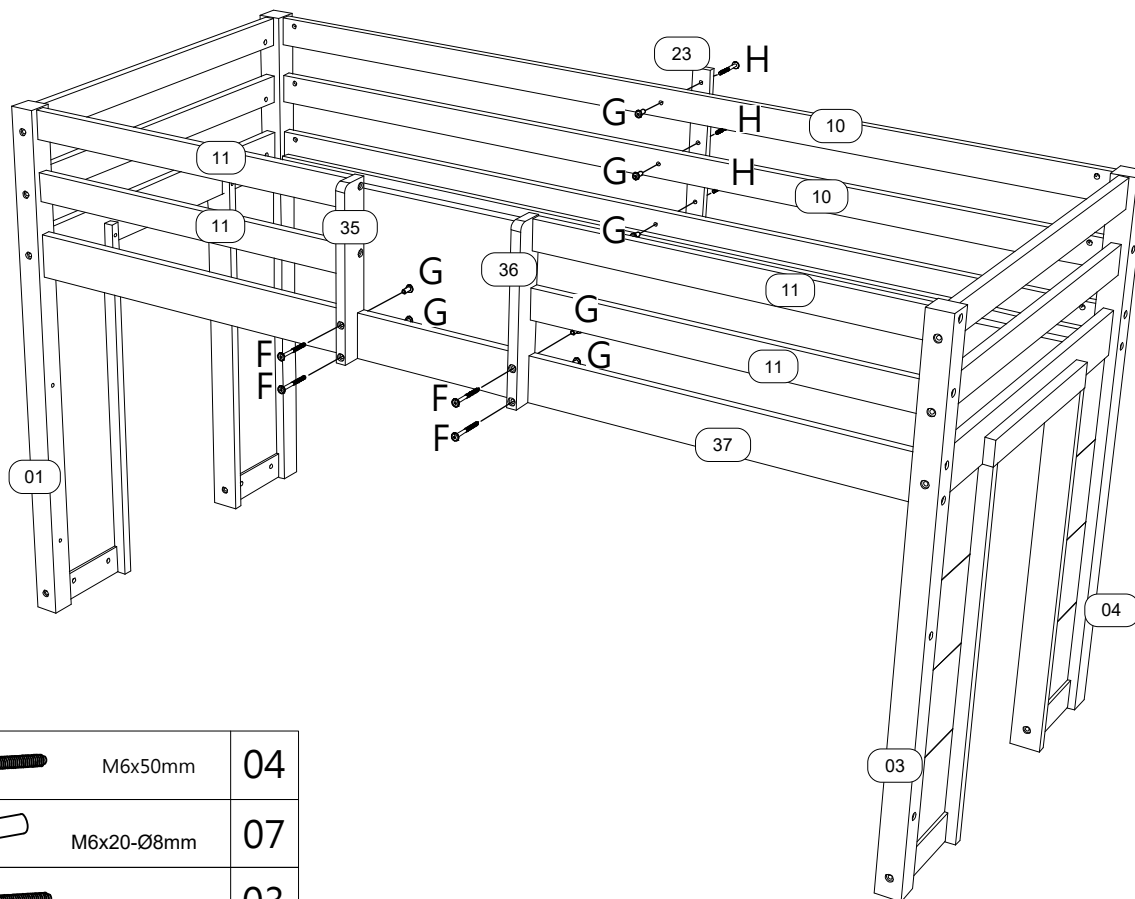
A	 M6x90mm	16
B		16
D	 Ø8x30mm	20


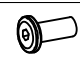

# 3



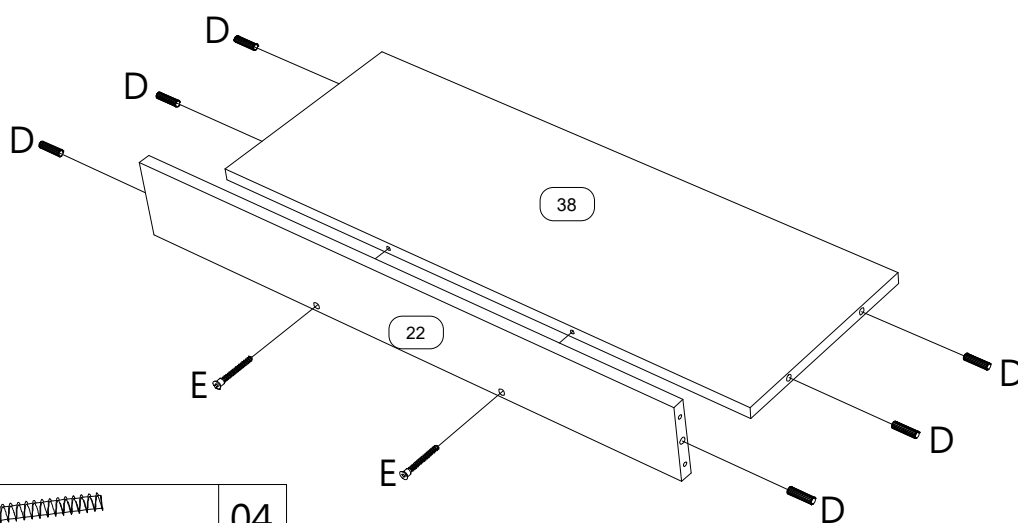
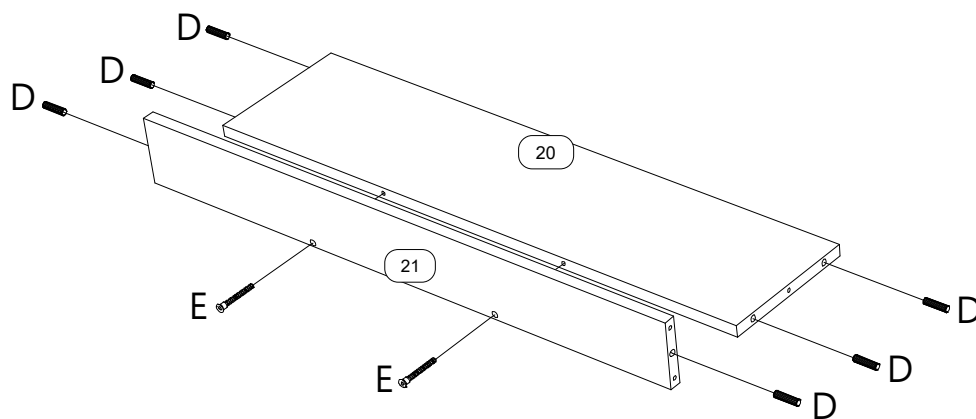
A		M6x90mm	16
B			20
C		M6x60mm	04
D		Ø8x30mm	16



# 4



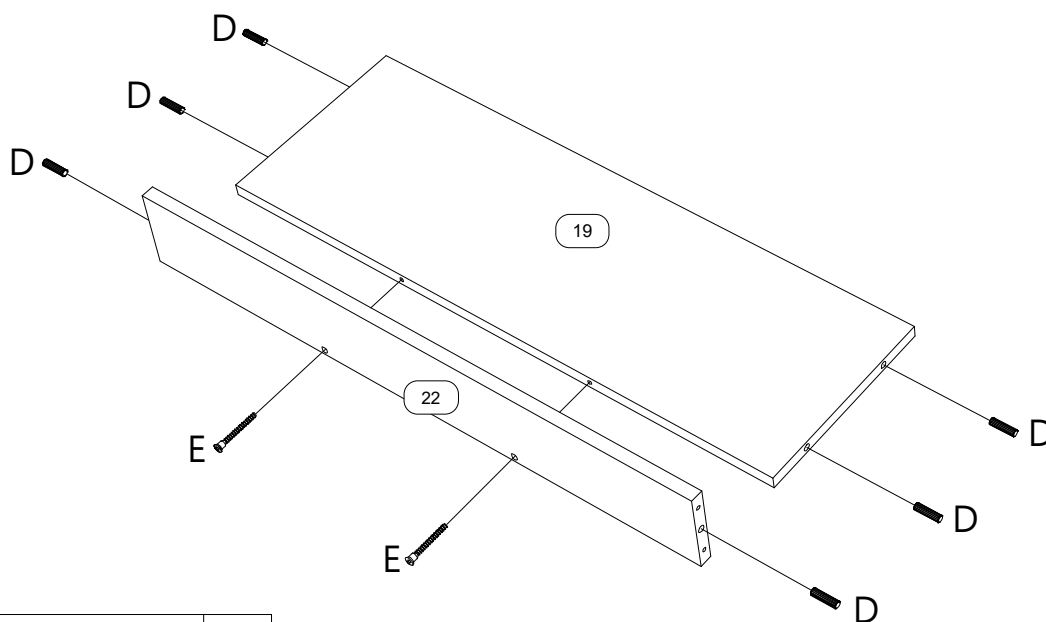
F		M6x50mm	04
G		M6x20-Ø8mm	07
H		M6x25mm	03



# 5



E	 Ø6x50mm	04
D	 Ø8x30mm	12

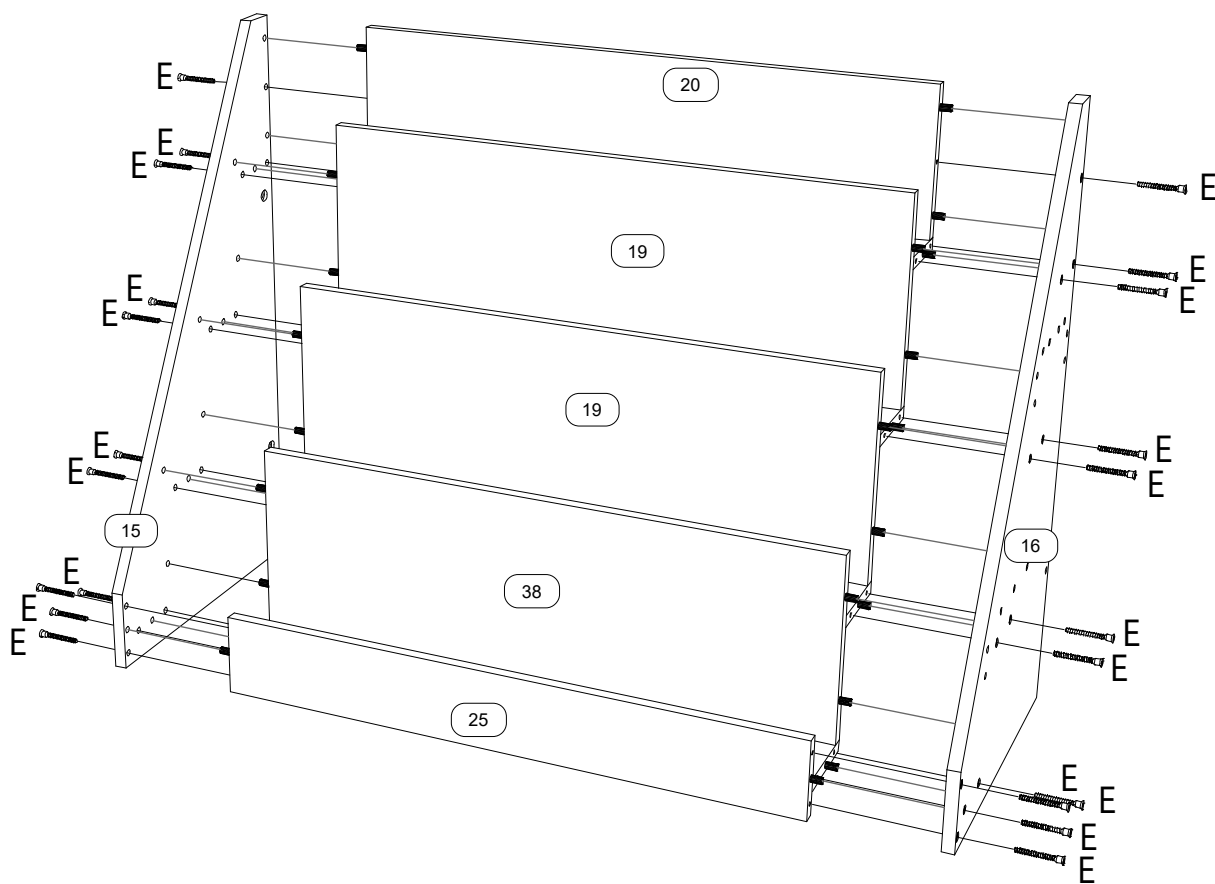
# 6




E	 Ø6x50mm	04
D	 Ø8x30mm	12

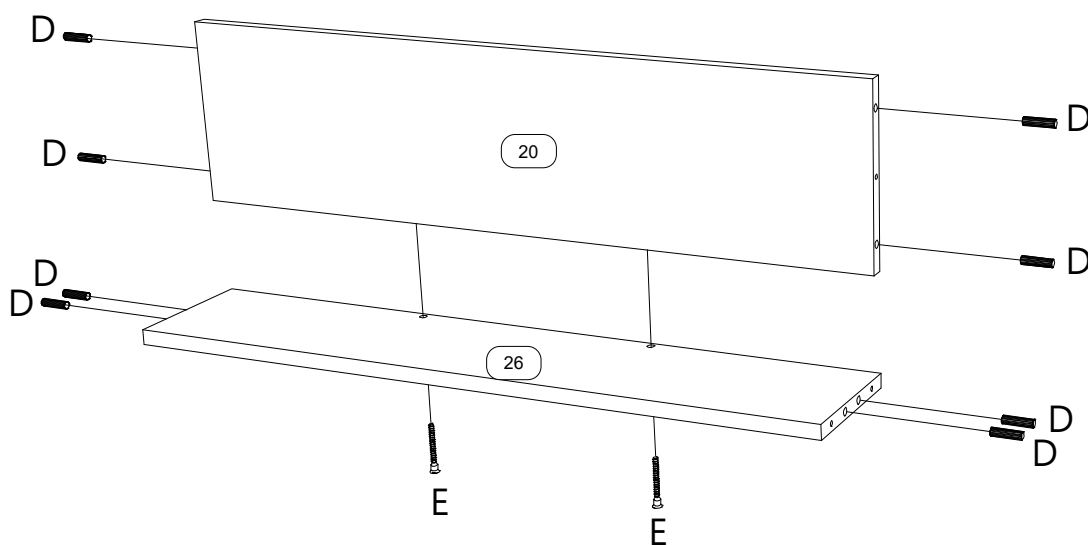
# X2



# 7

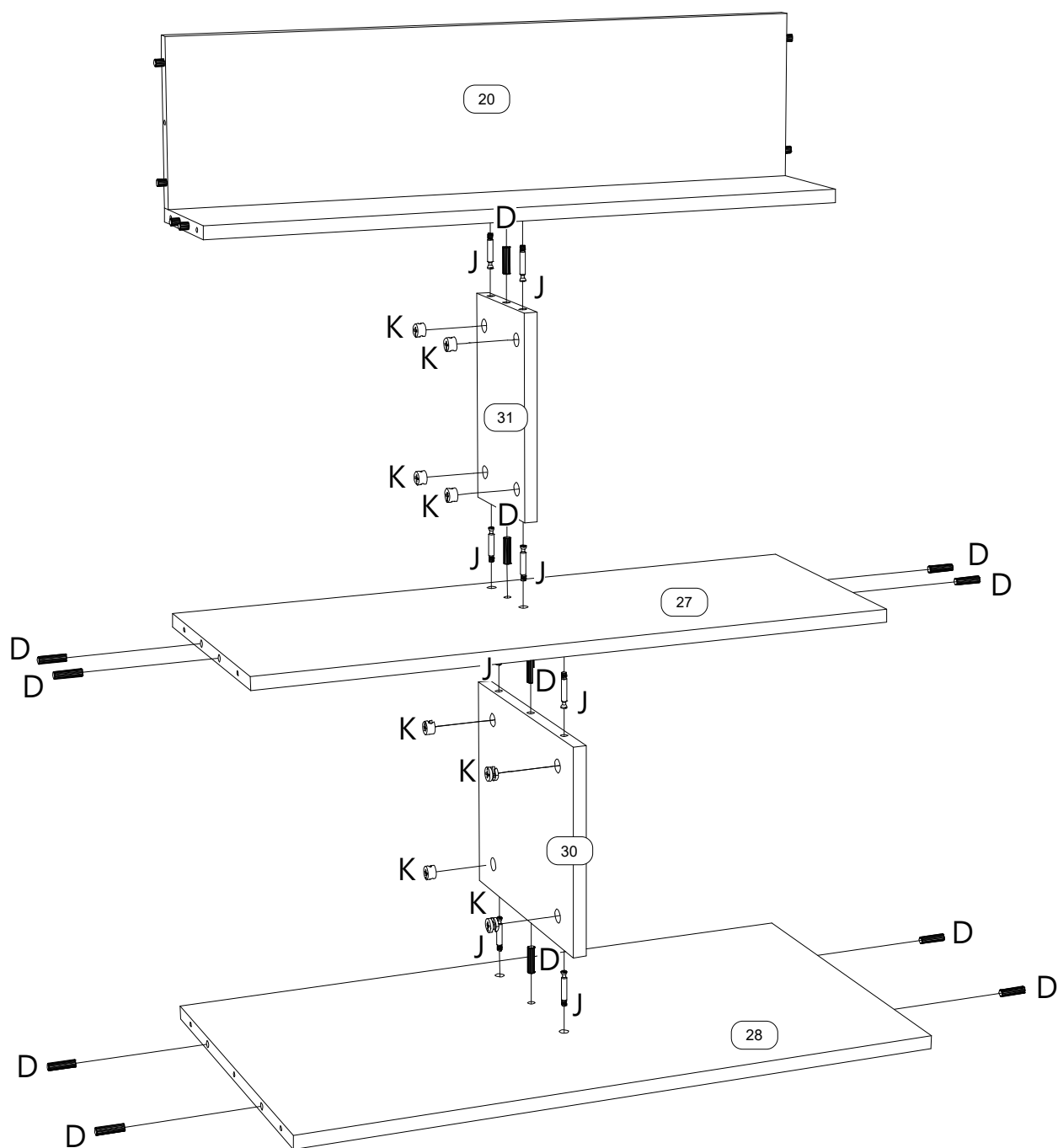



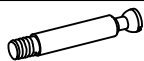

E	 Ø6x50mm	22
---	---	----

# 8

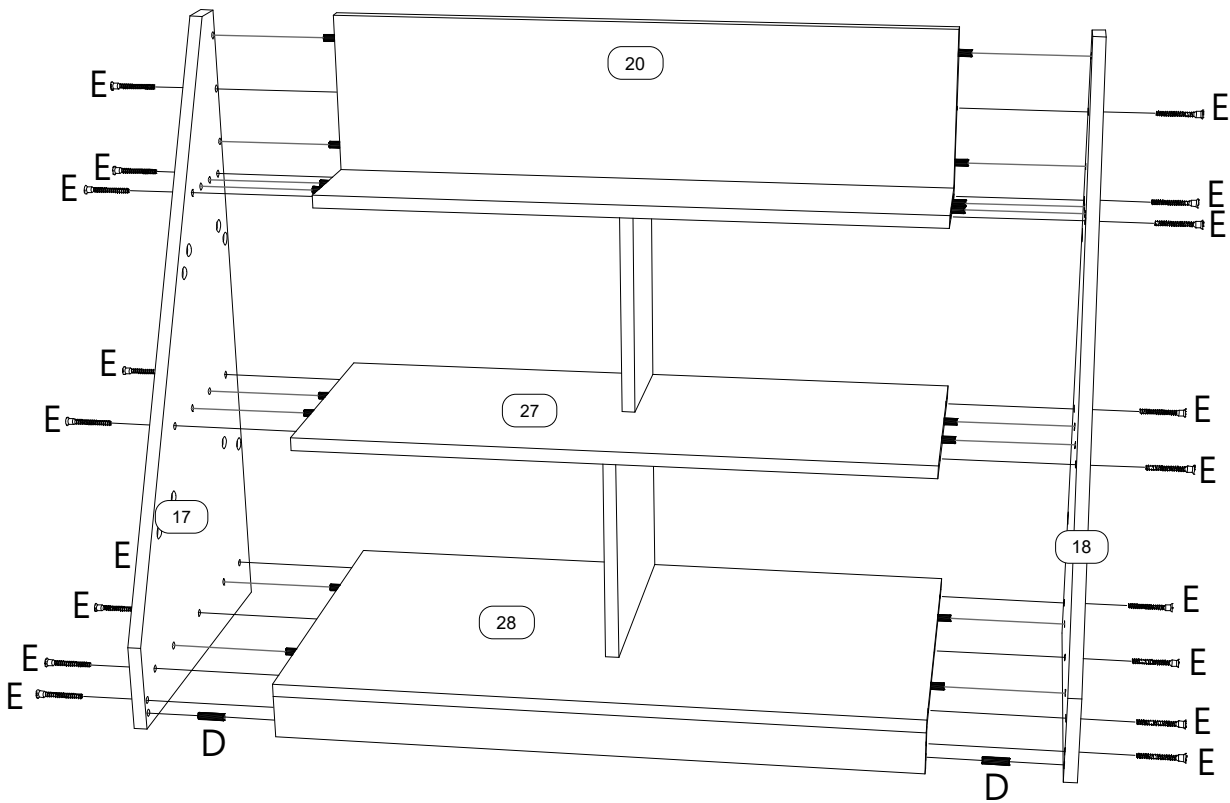


D	 Ø8x30mm	08
E	 Ø6x50mm	02




D	 Ø8x30mm	12
J		08
K		08

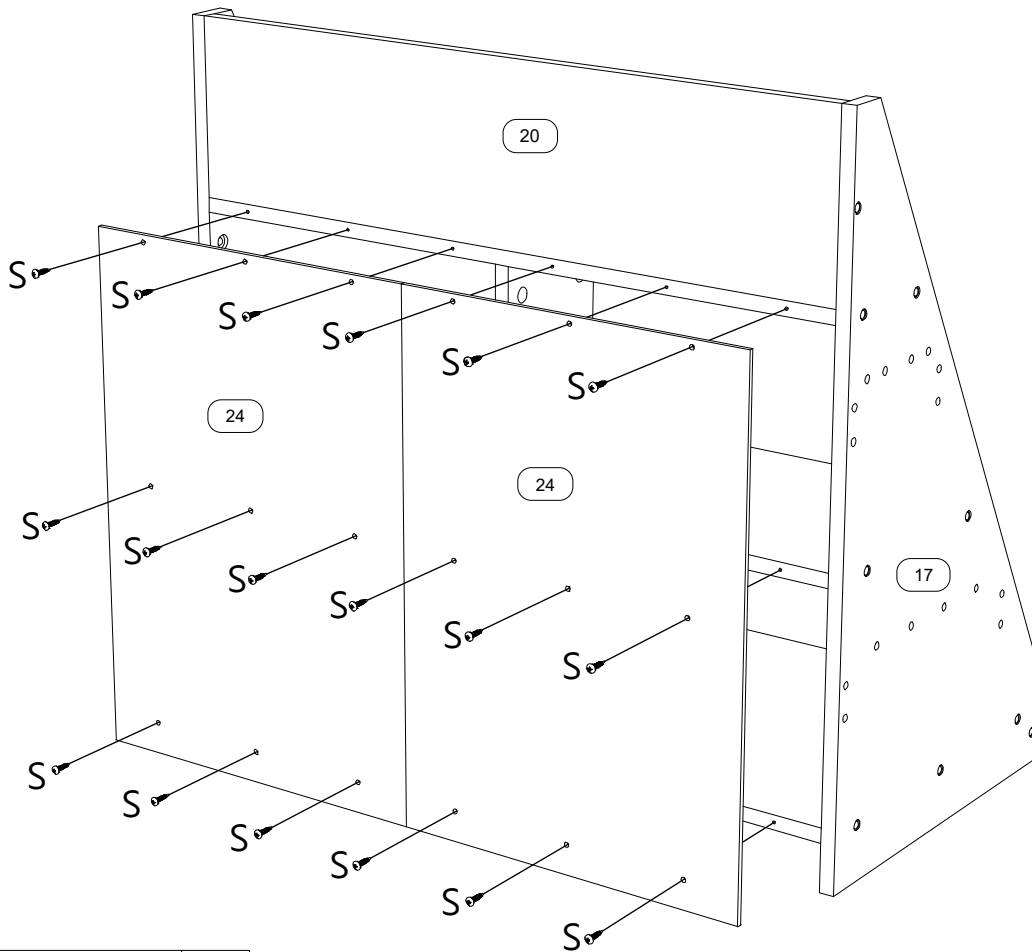
# 10




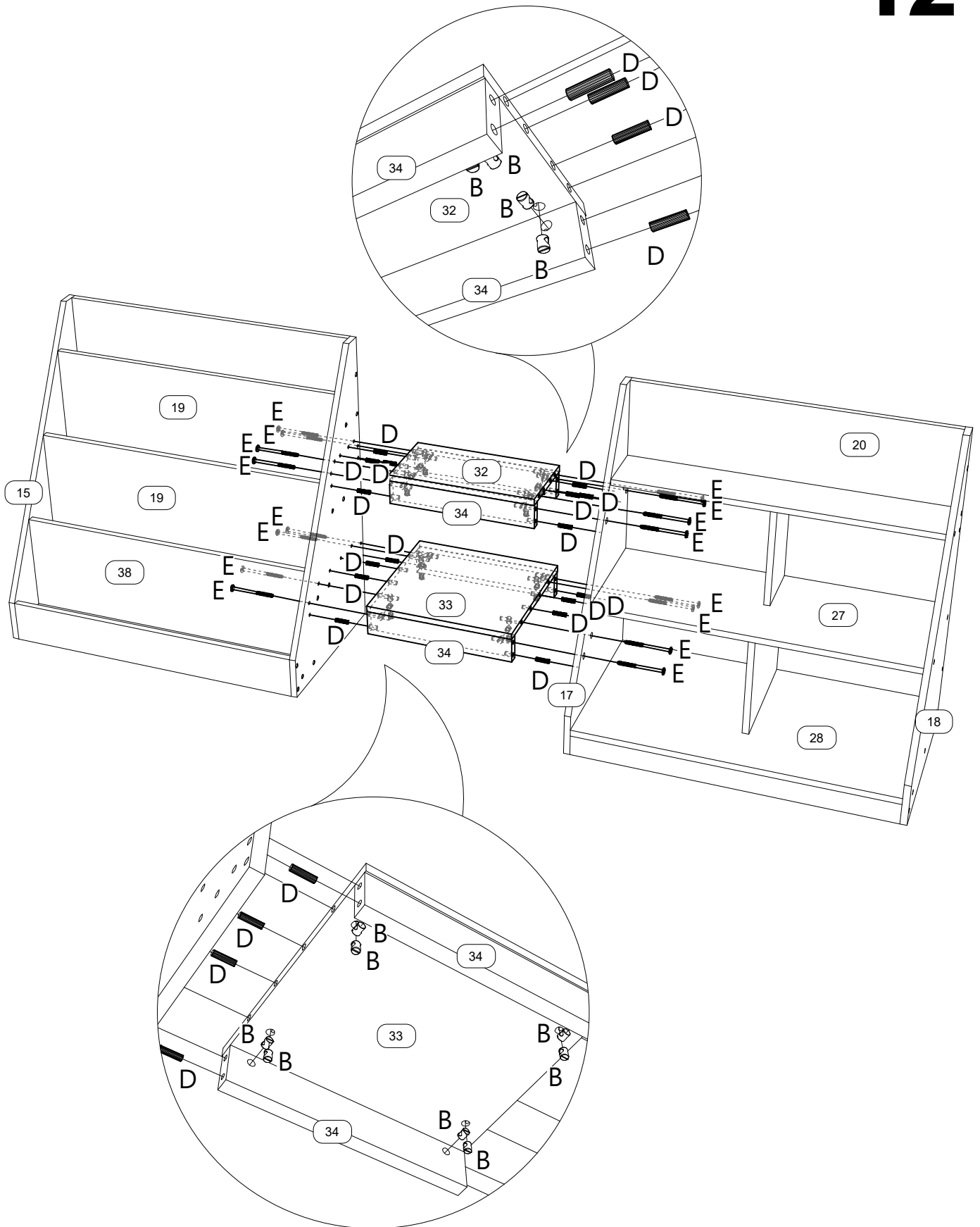
D	 Ø8x30mm	02
---	---	----




E	 Ø6x50mm	18
---	---	----

# 11

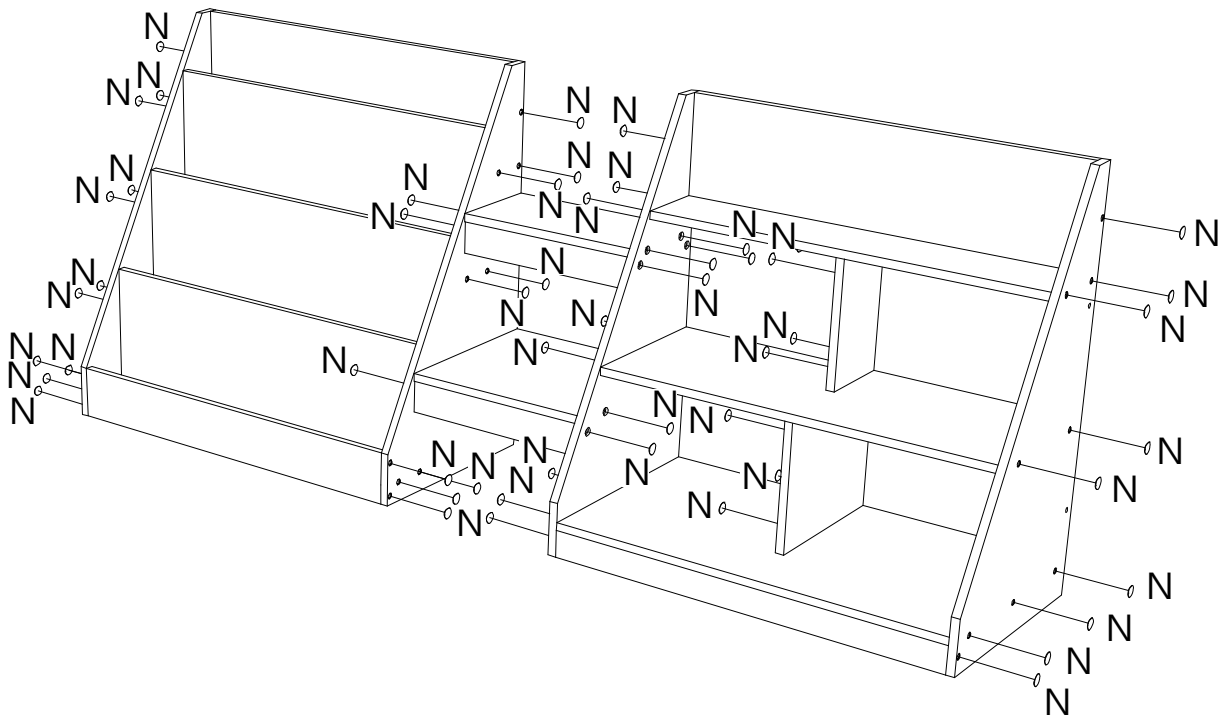


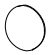
S	 Ø4x16mm	18
---	---	----



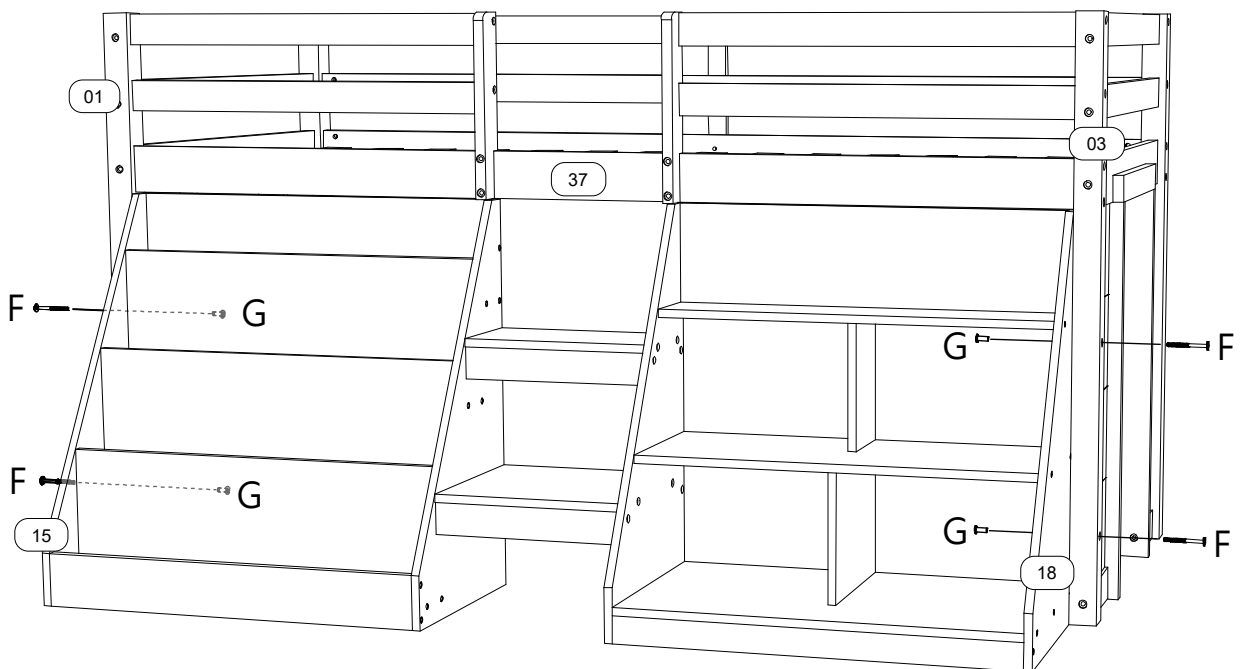
B		16
D	 Ø8x30mm	16
F	 M6x50mm	16



# 13



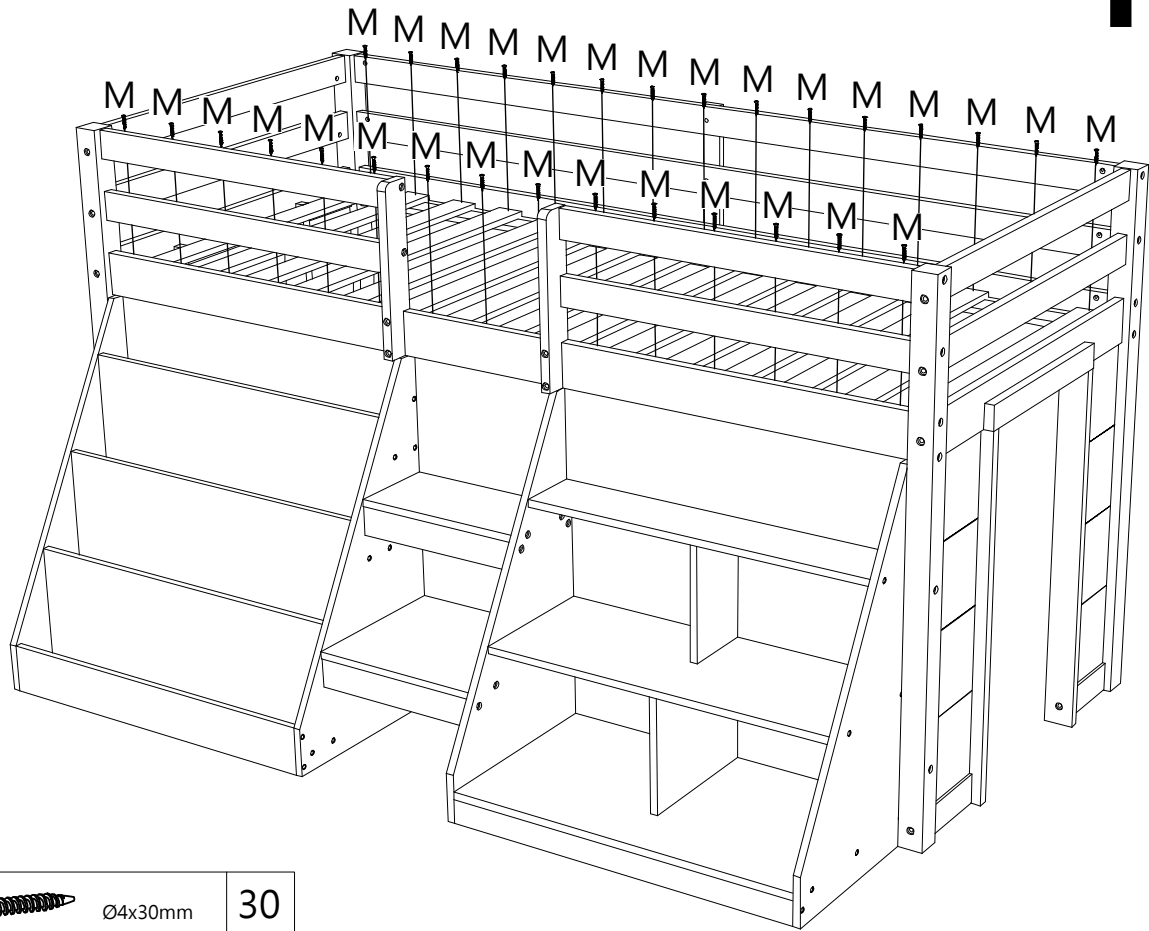
N		56
---	---	----

# 14



F		M6x50mm	04
G		M6x20-Ø8mm	04

# 15



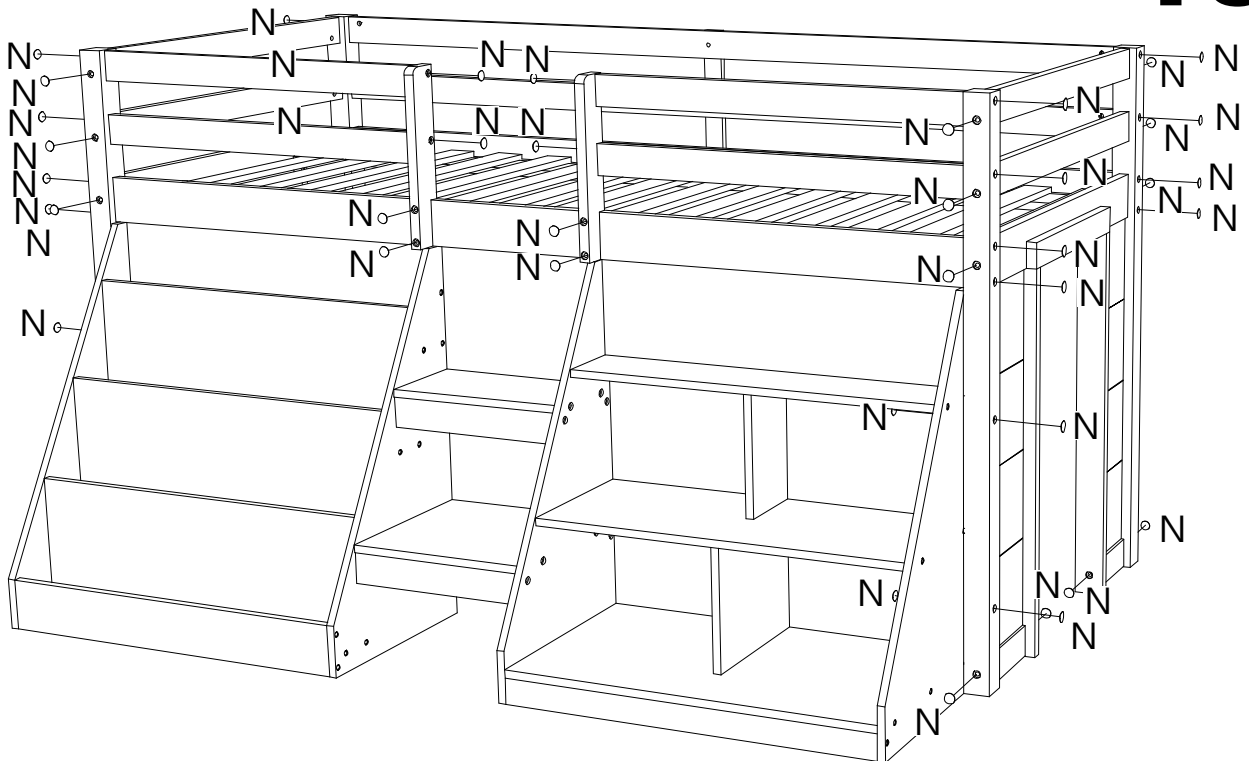
M



Ø4x30mm

30

# 16



N



50