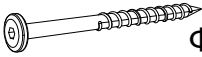

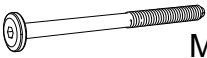


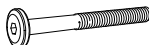

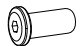
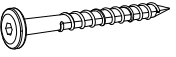

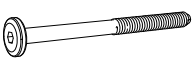


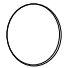
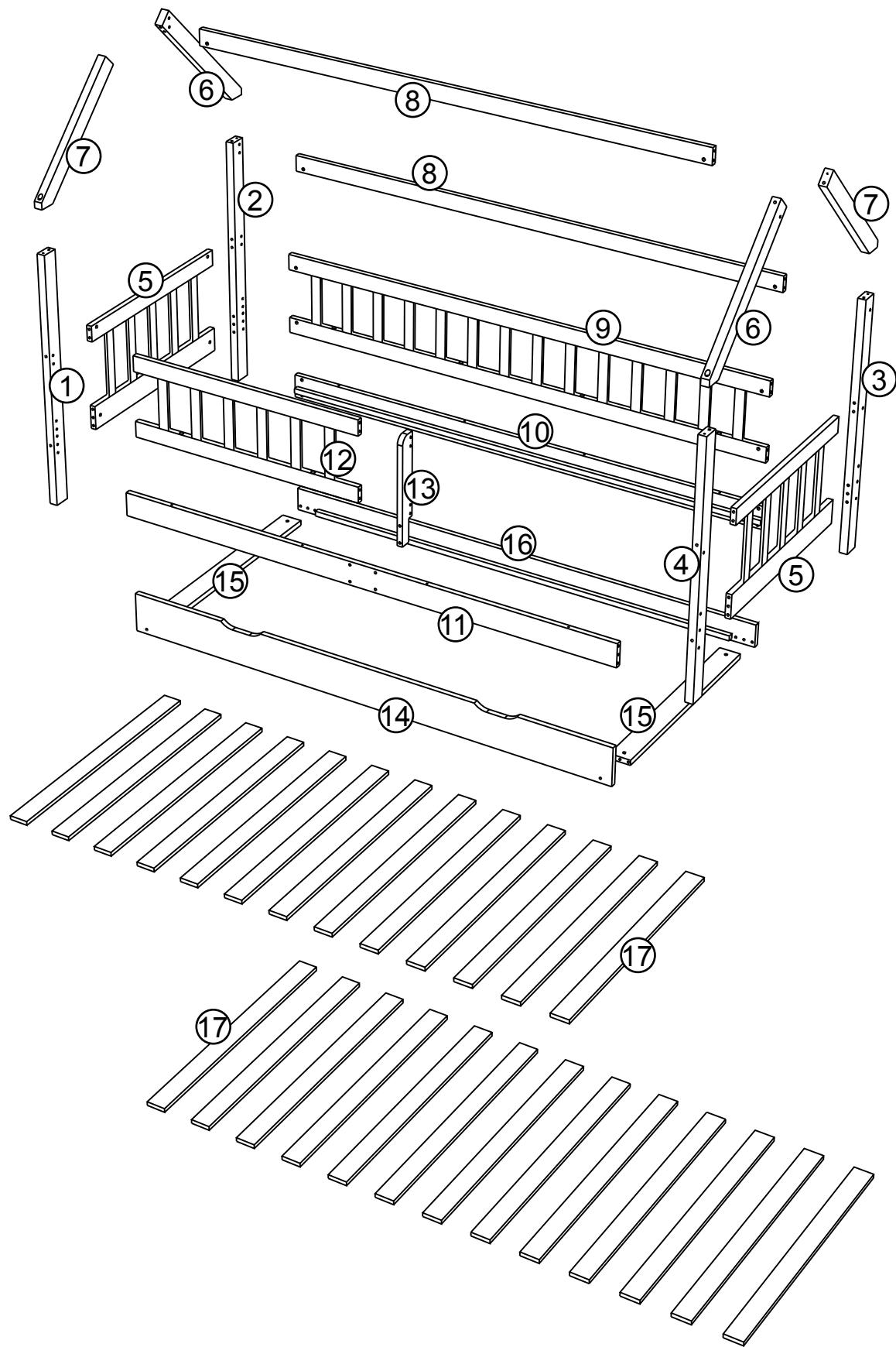
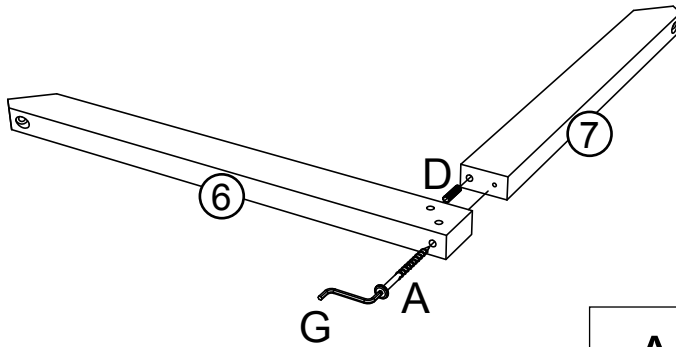


HARDWARE LIST

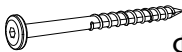
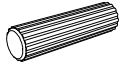
A	 $\Phi 6 \times 100\text{mm}$	02	H	 M6 x 60mm	06
B	 M6 x 100mm	08	I	 $\Phi 4 \times 30\text{mm}$	52
C		32	J	 M6 x 50mm	02
D	 $\Phi 8 \times 30\text{mm}$	42	K	 M6 x 20mm	02
E	 $\Phi 6 \times 60\text{mm}$	10	L	 $\Phi 4 \times 16\text{mm}$	08
F	 M6 x 70mm	18	M		04
G		02	N	 Plastic Cover	28



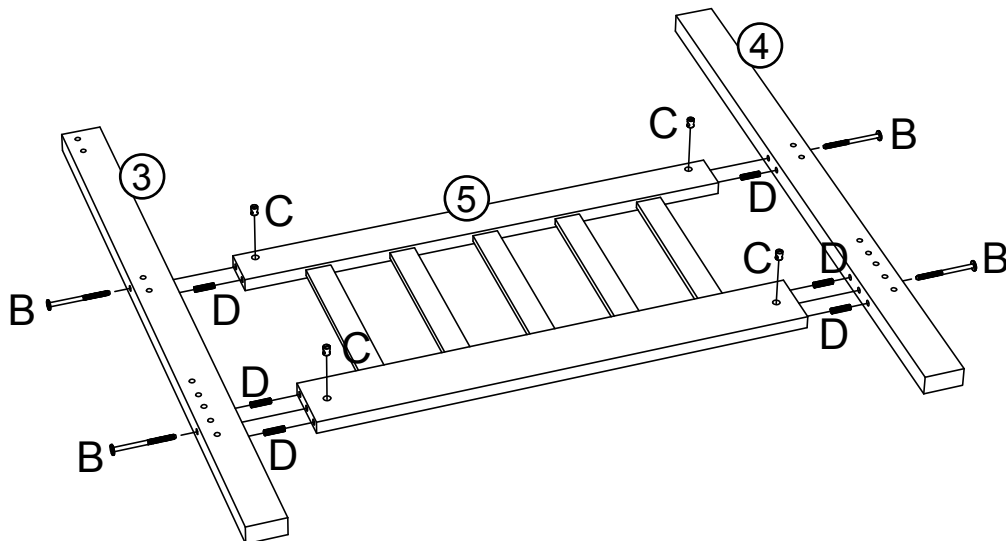
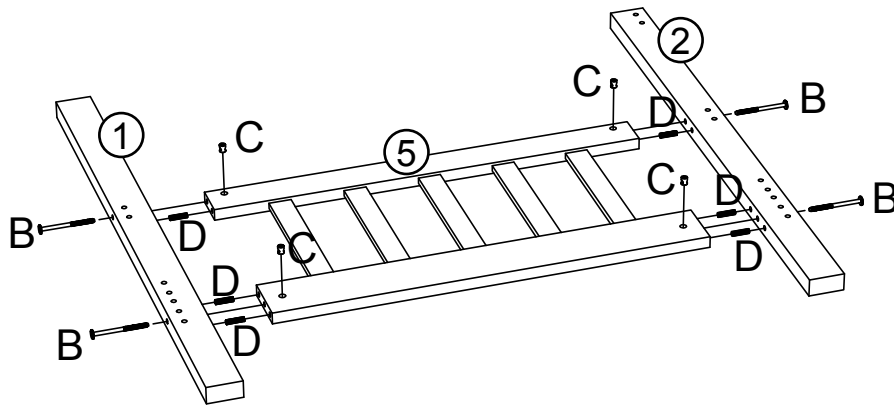
1



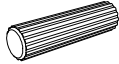


2x

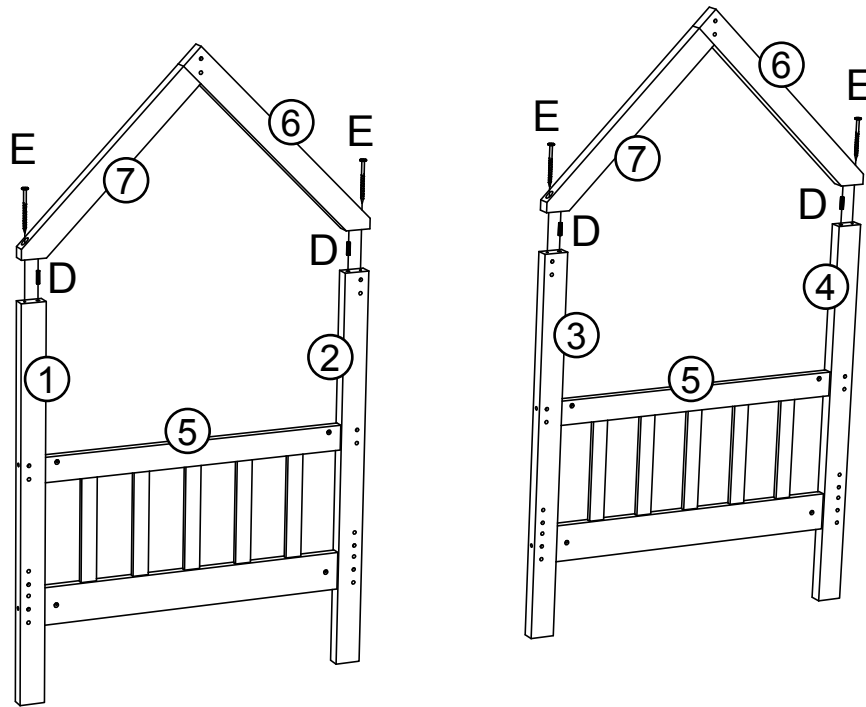
A	 Φ6 x100mm	02
D	 Φ8 x 30mm	02

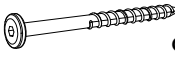
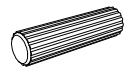
2



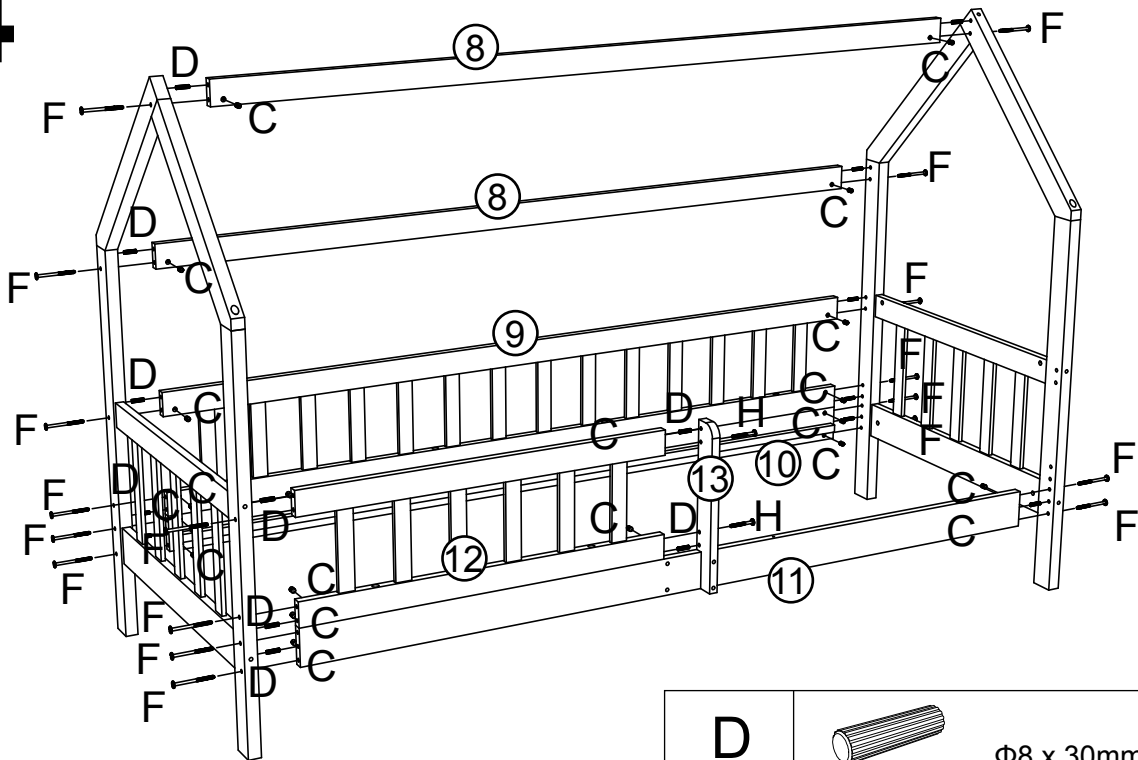
B	 M6 x 100mm	08
C		08
D	 Φ8 x 30mm	12

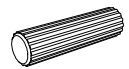
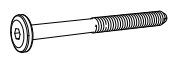
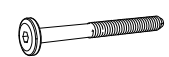
3



E	 $\Phi 6 \times 60\text{mm}$	04
D	 $\Phi 8 \times 30\text{mm}$	04

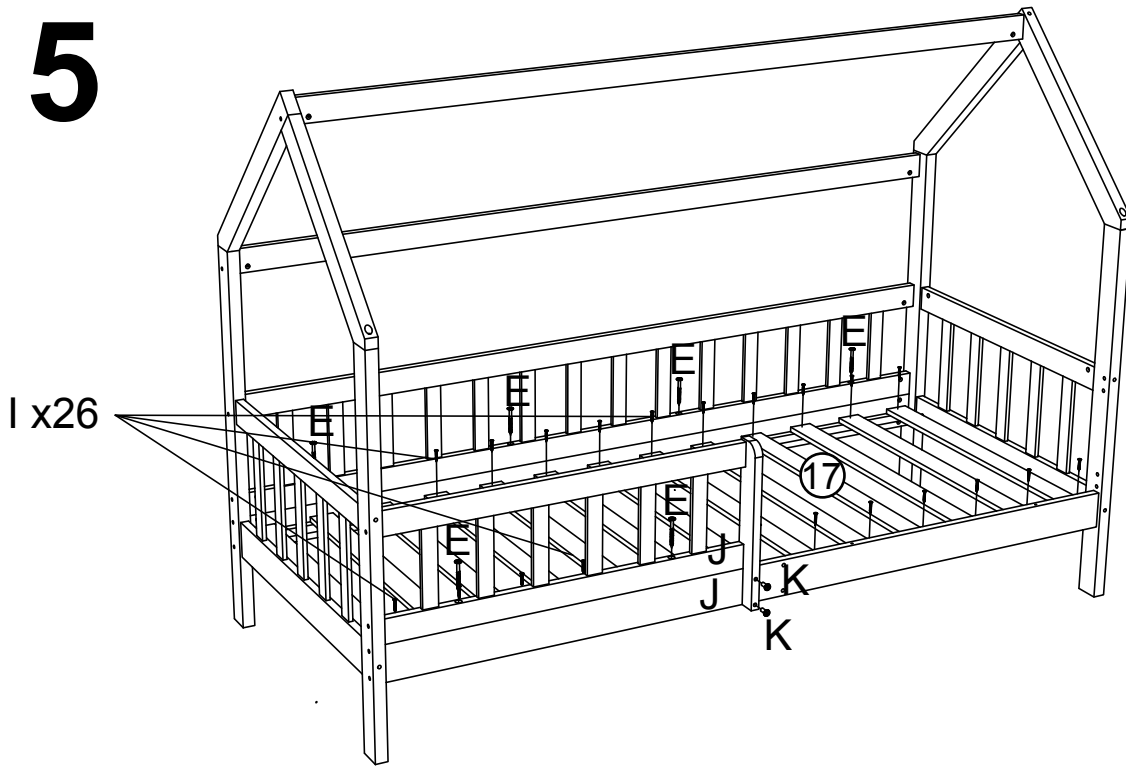
4

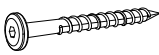





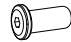
D	 $\Phi 8 \times 30\text{mm}$	16
F	 $M6 \times 70\text{mm}$	18
H	 $M6 \times 60\text{mm}$	02

C		20
---	---	----

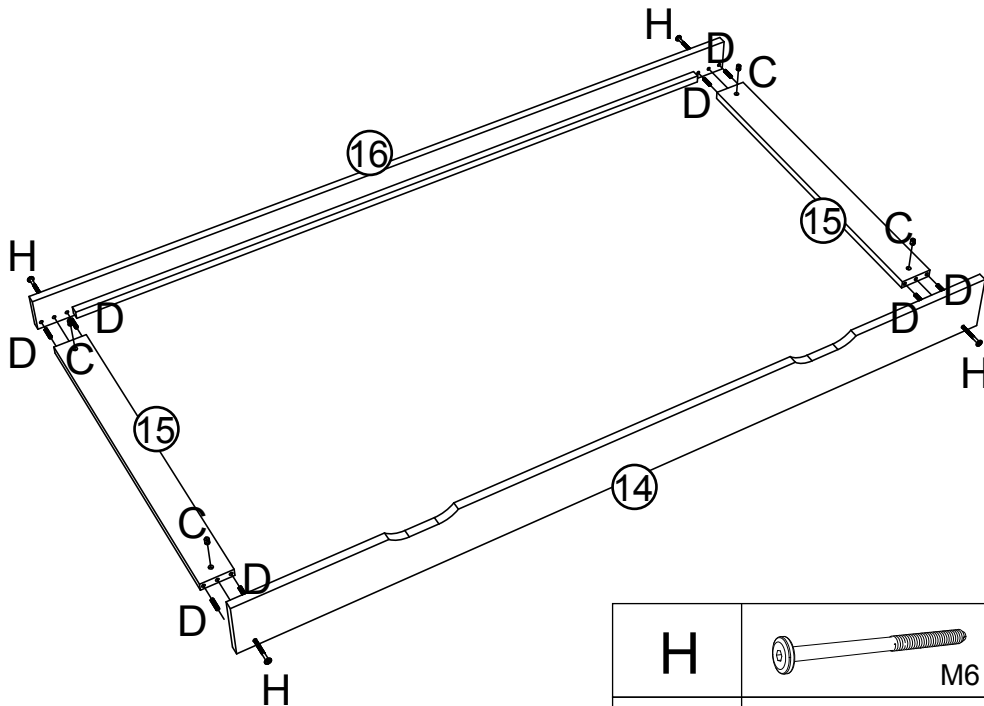
5






E	 $\Phi 6 \times 60\text{mm}$	06
N	 Plastic Cover	26

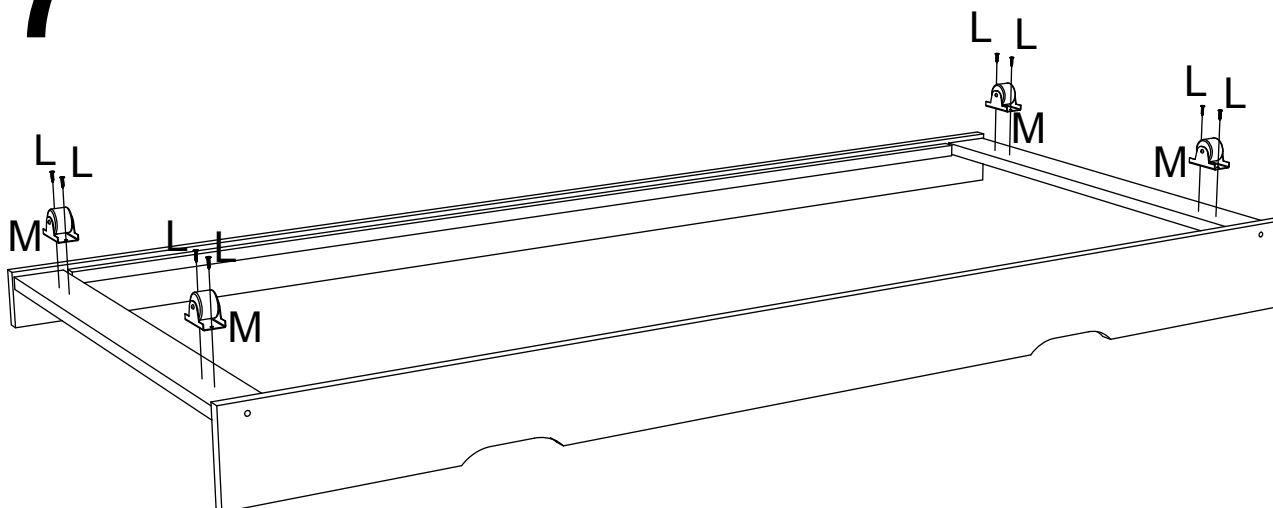
I	 $\Phi 4 \times 30\text{mm}$	26
J	 $M6 \times 50\text{mm}$	02
K	 $M6 \times 20\text{mm}$	02



6



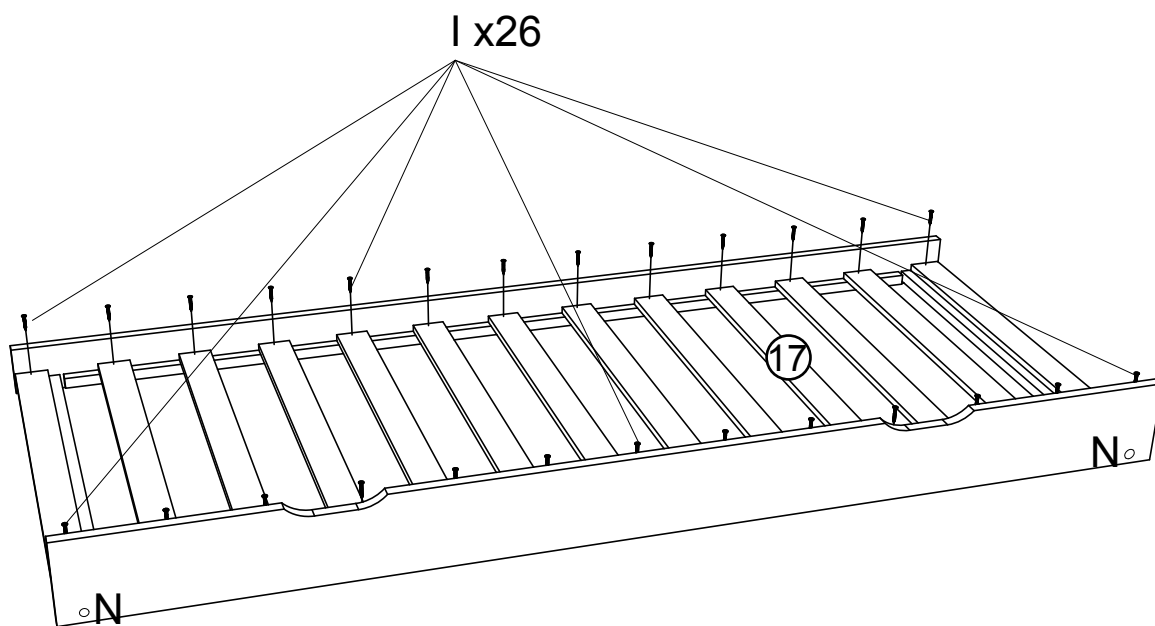
H	 $M6 \times 60\text{mm}$	04
C		04
D	 $\Phi 8 \times 30\text{mm}$	08

7



L	 $\Phi 4 \times 16\text{mm}$	08
M		04

8



N	 Plastic Cover	02	I	 $\Phi 4 \times 30\text{mm}$	26
---	---	----	---	---	----