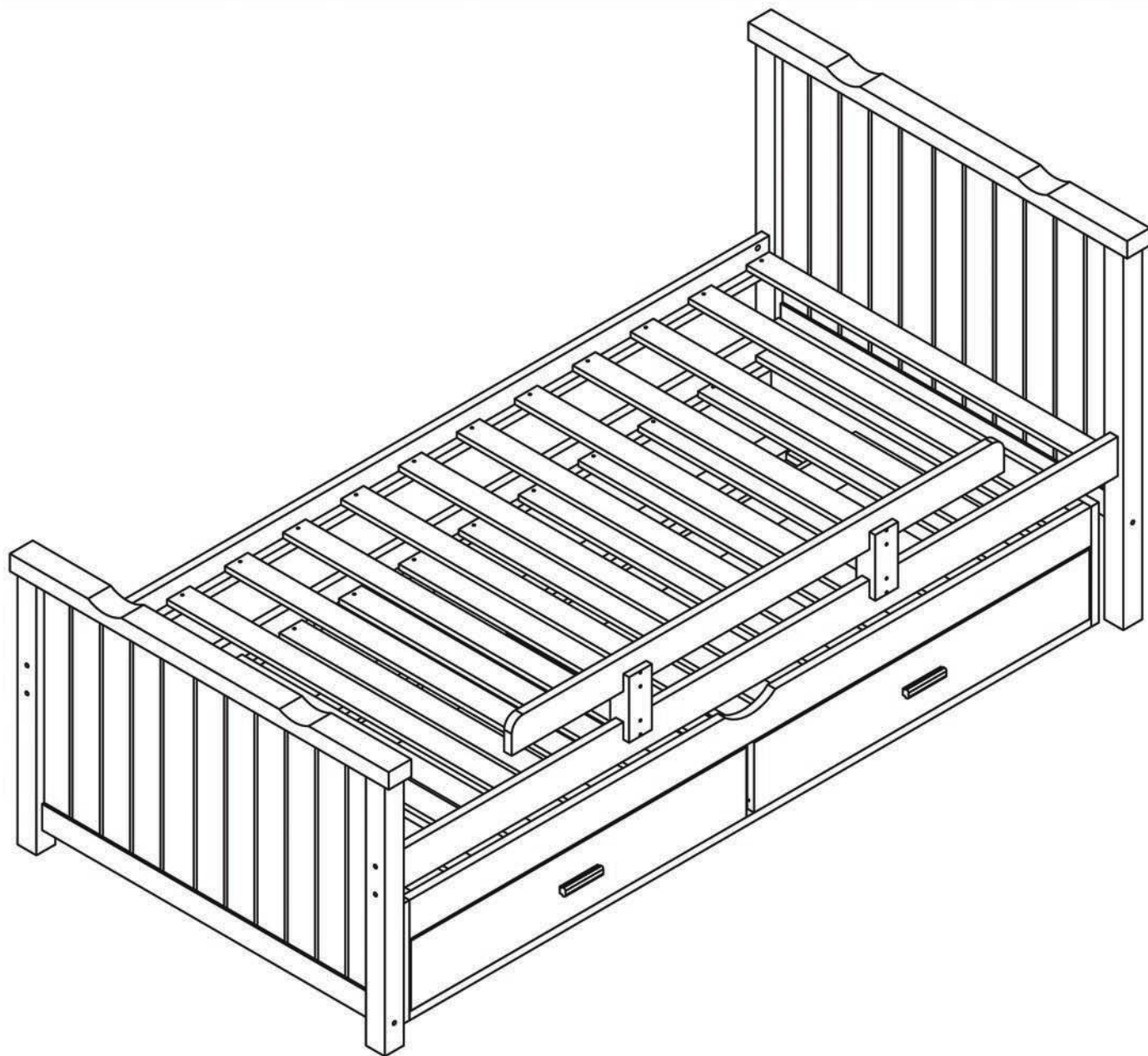
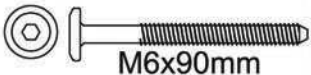





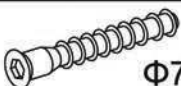

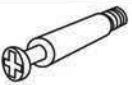

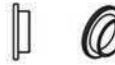
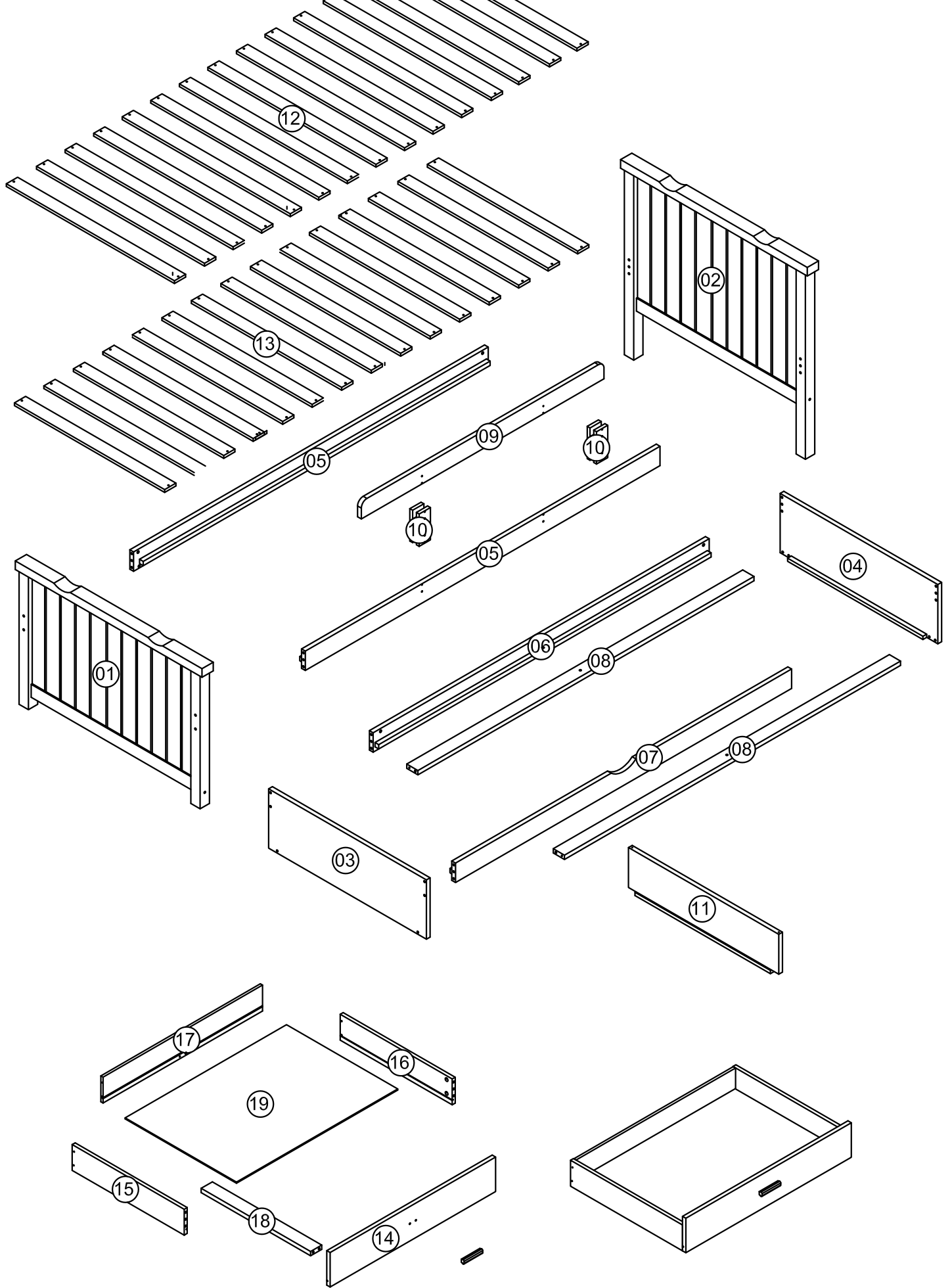


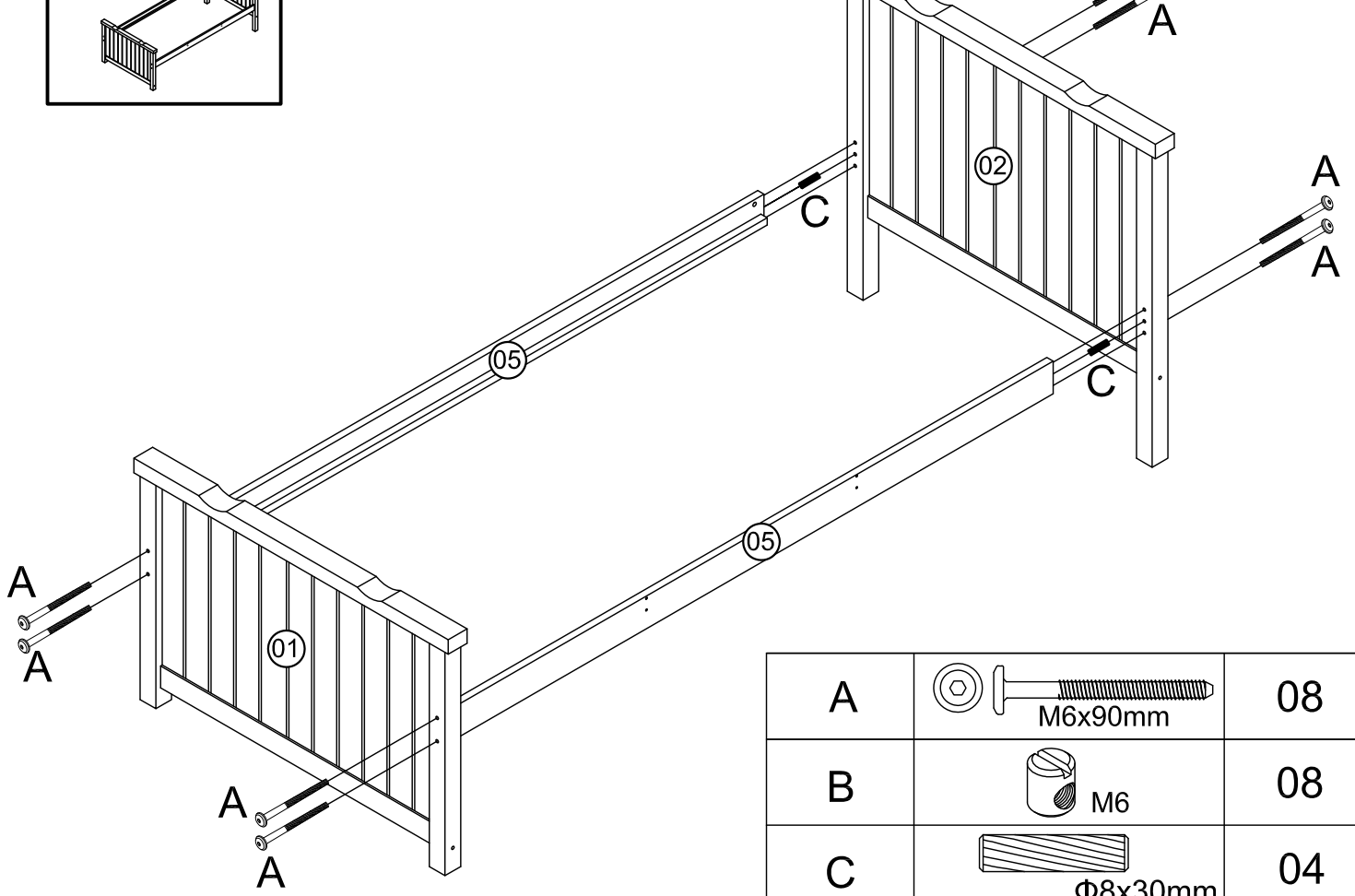
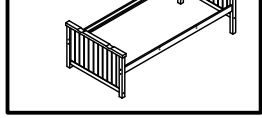
Assembly Instruction



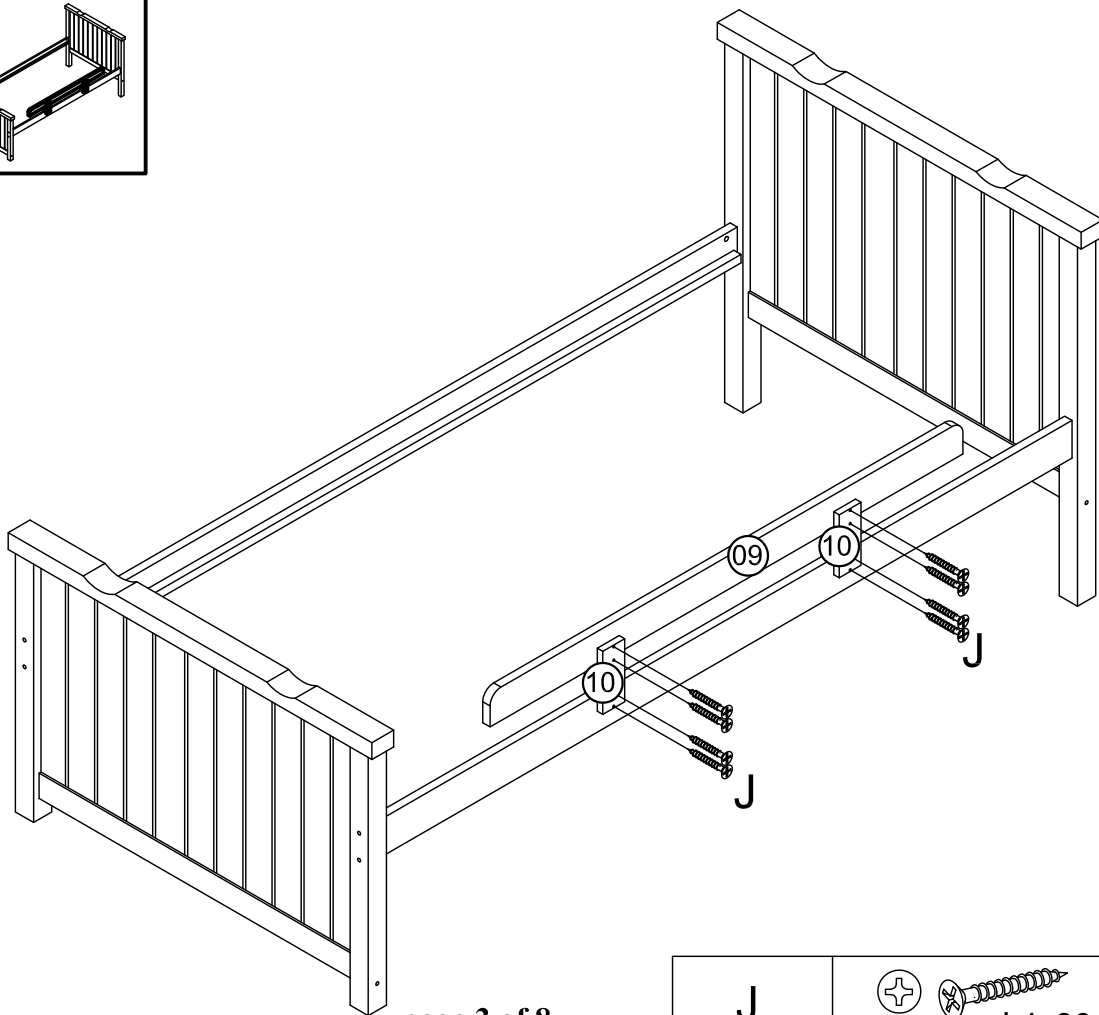
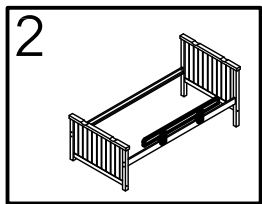
Hardware List

A	 M6x90mm	08	F		12
B	 M6	08	G	 Φ4x30mm	82
C	 Φ8x30mm	20	H		05
D	 Φ7x60mm	14	I	 Φ3.5x16mm	10
E		12	J		01
			K		12

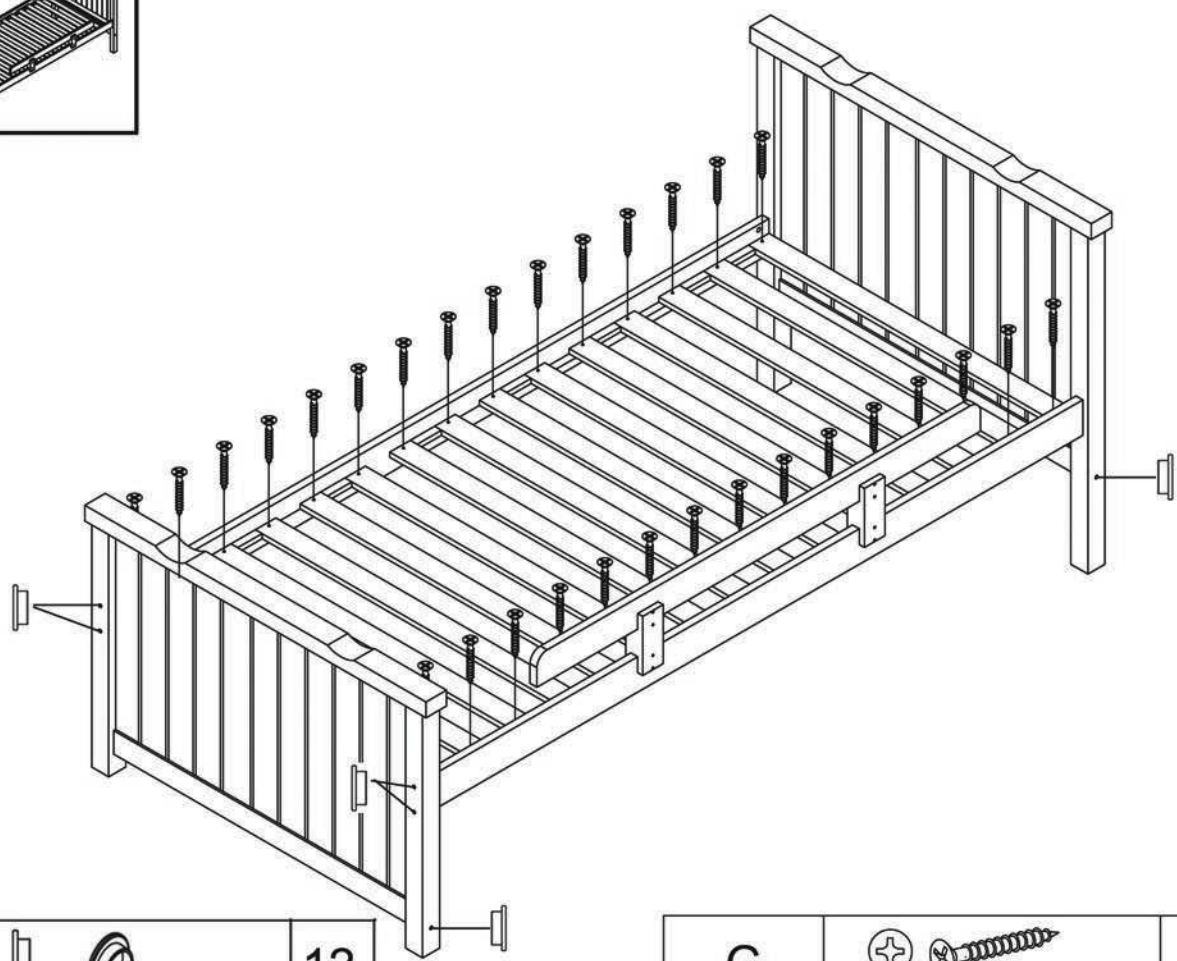






A	M6x90mm	08
B	M6	08
C	Φ8x30mm	04

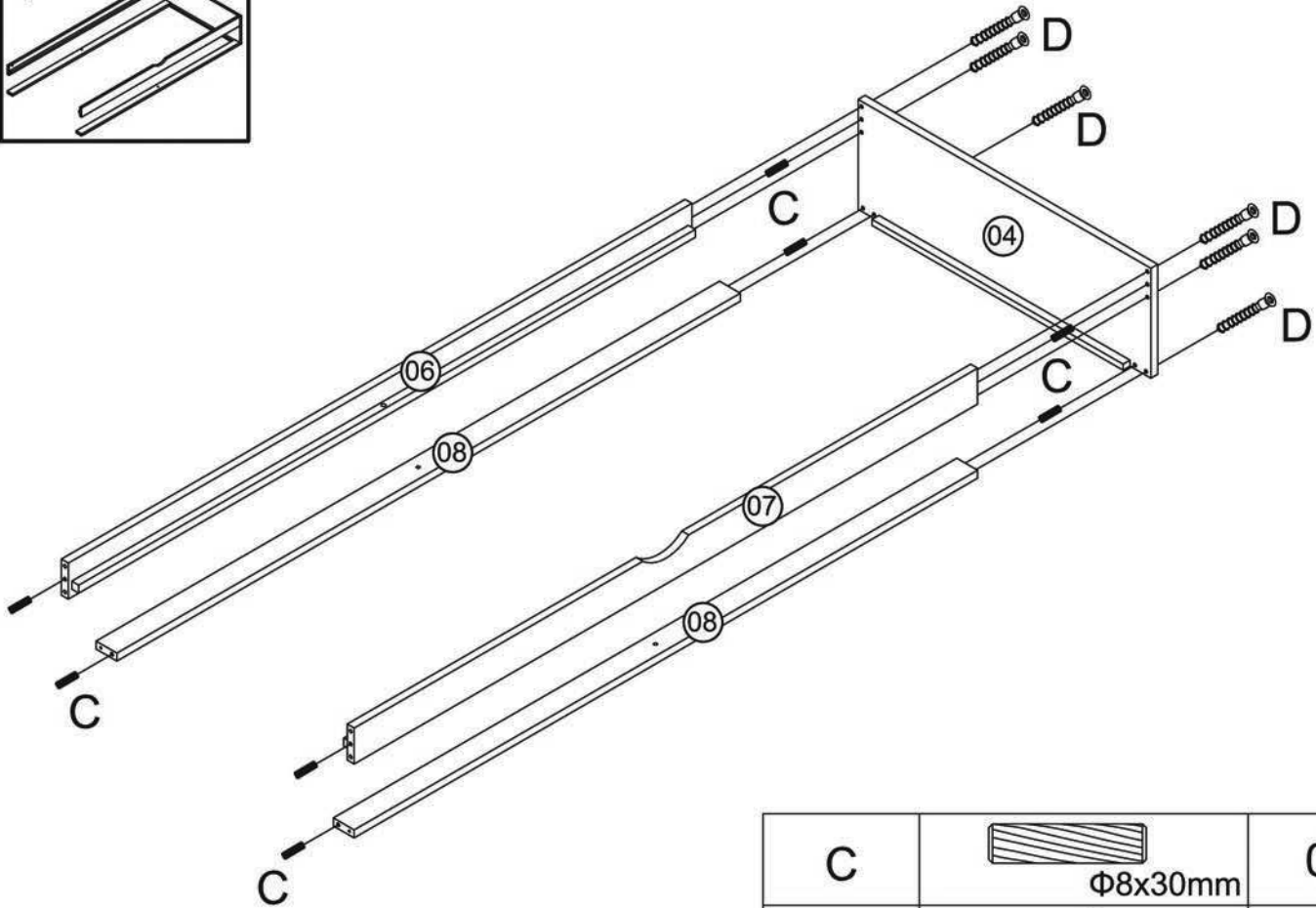
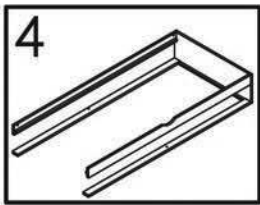



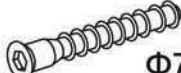
J	Φ4x30mm	08
---	---------	----

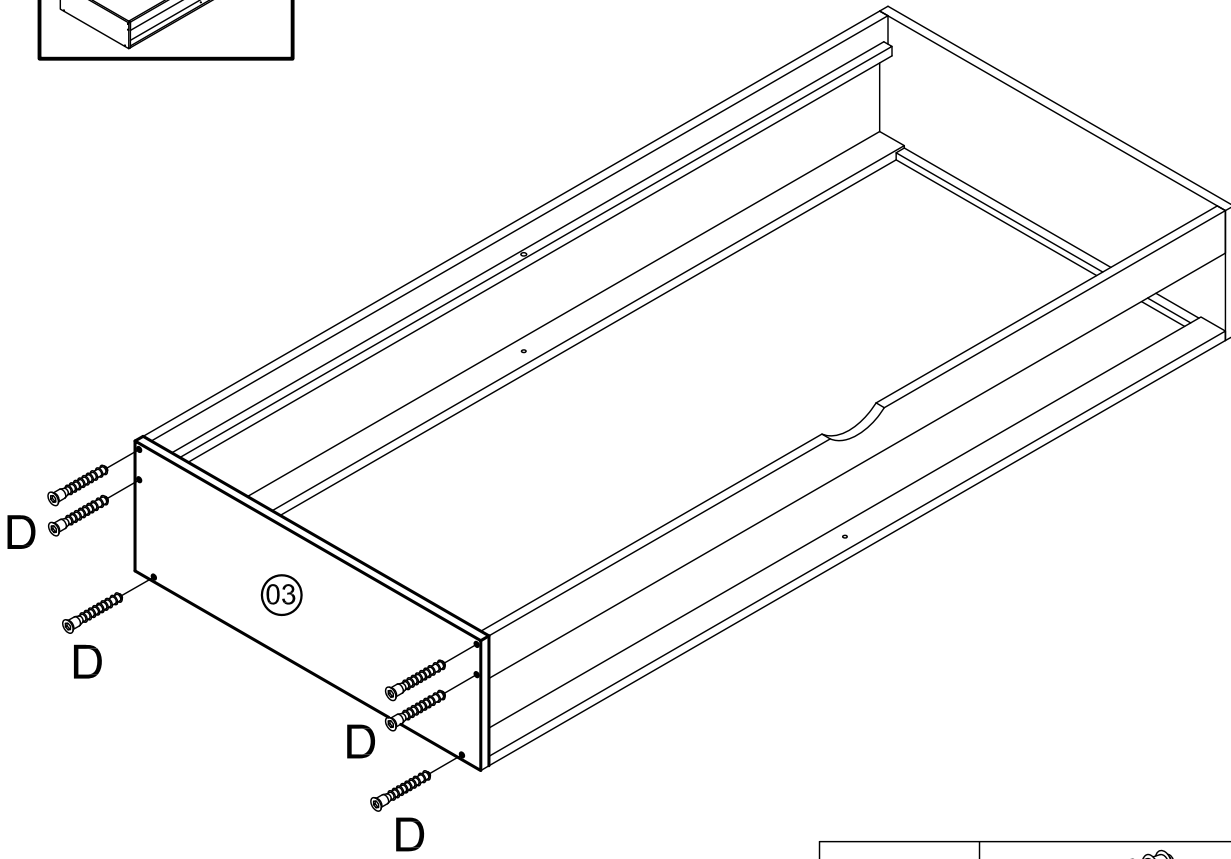
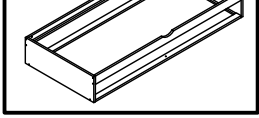


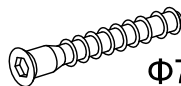
K			12
---	---	---	----

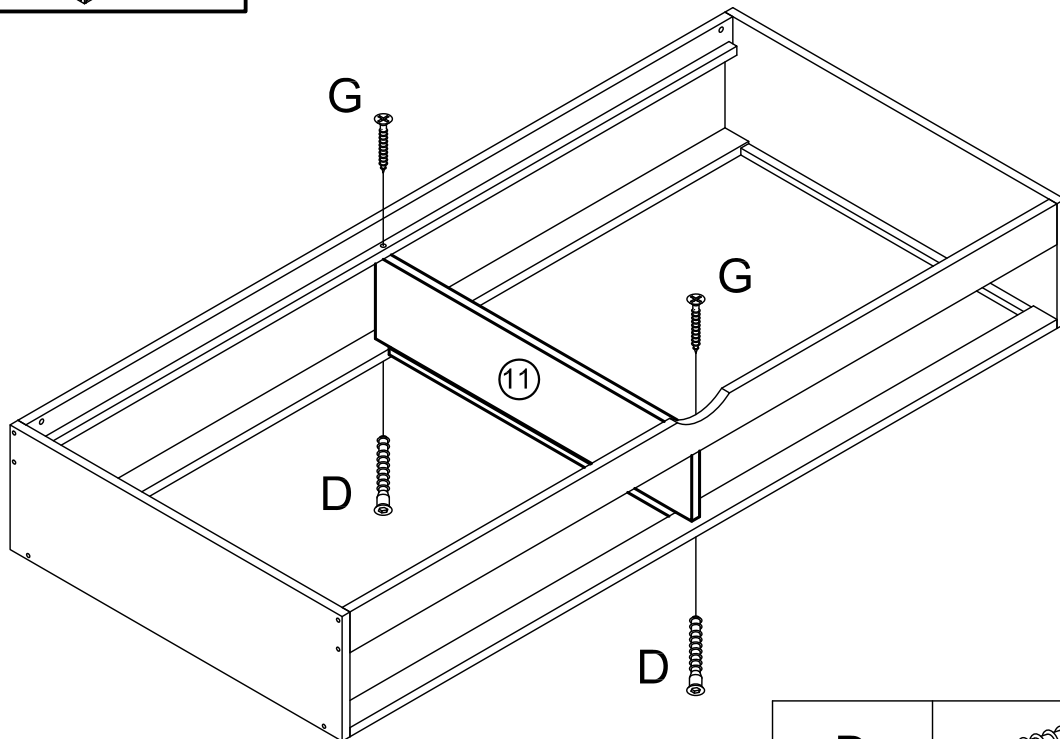
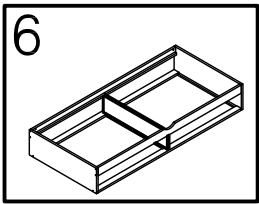
G			Φ4x30mm	30
---	---	---	---------	----

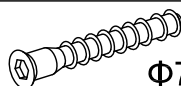
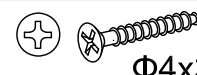


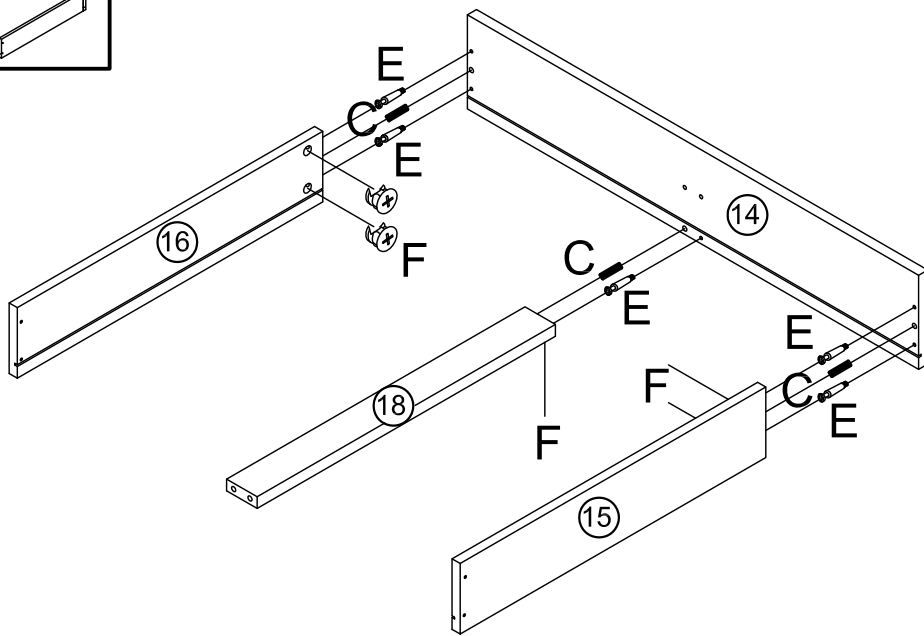
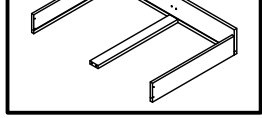
C		Φ8x30mm	08
D		Φ7x60mm	06


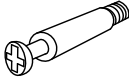



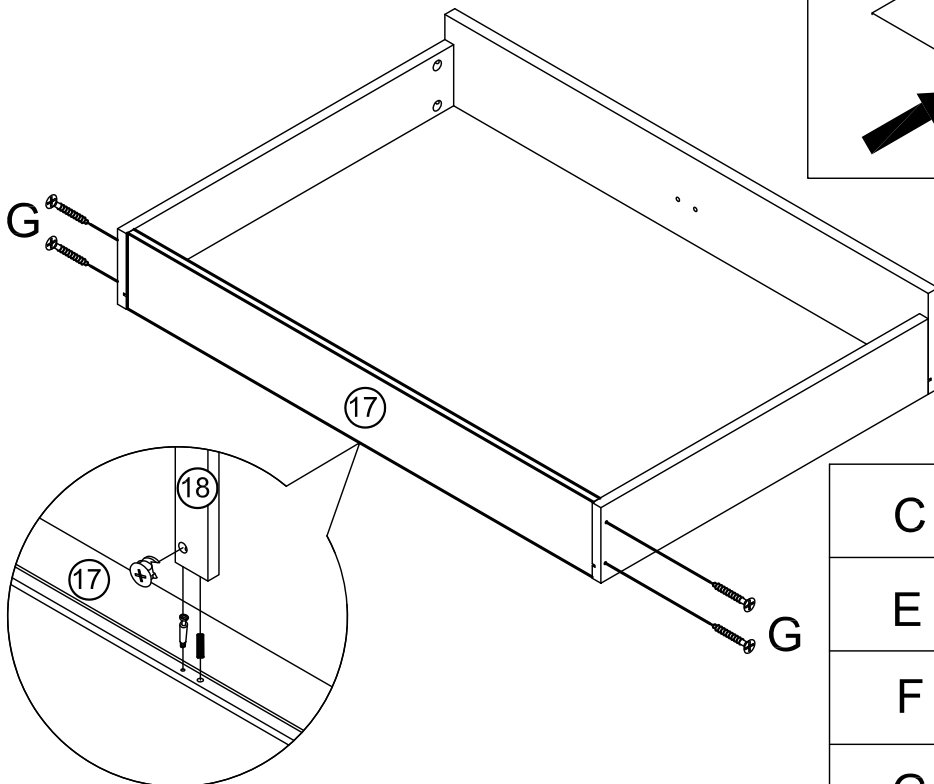
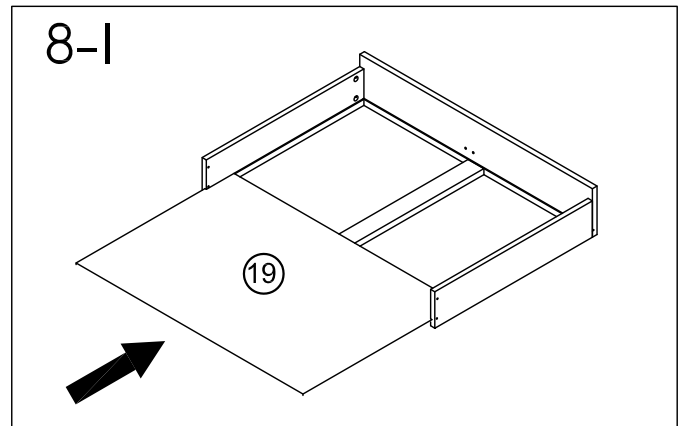
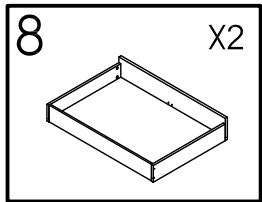
D	 $\Phi 7 \times 60 \text{mm}$	06
---	--	----


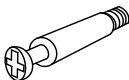

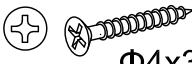


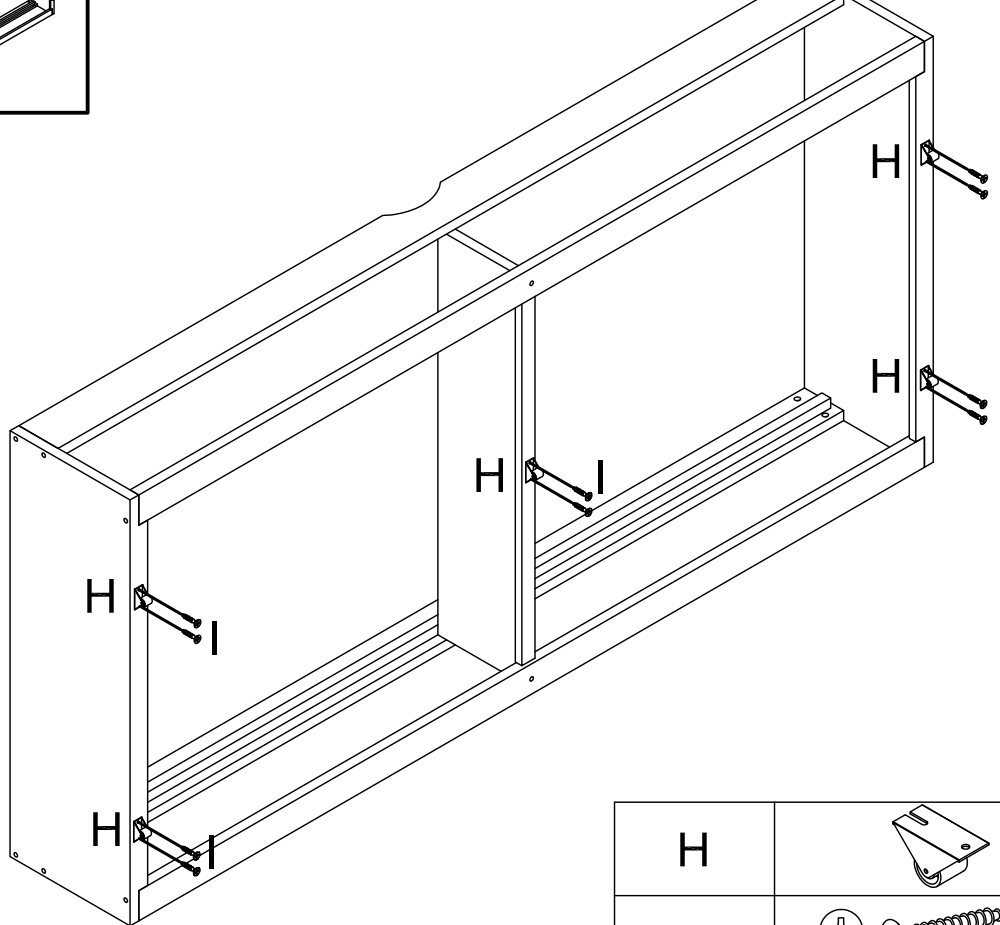
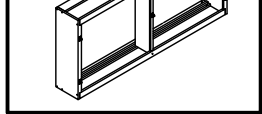
D	 $\Phi 7 \times 60 \text{mm}$	02
G	 $\Phi 4 \times 30 \text{mm}$	02



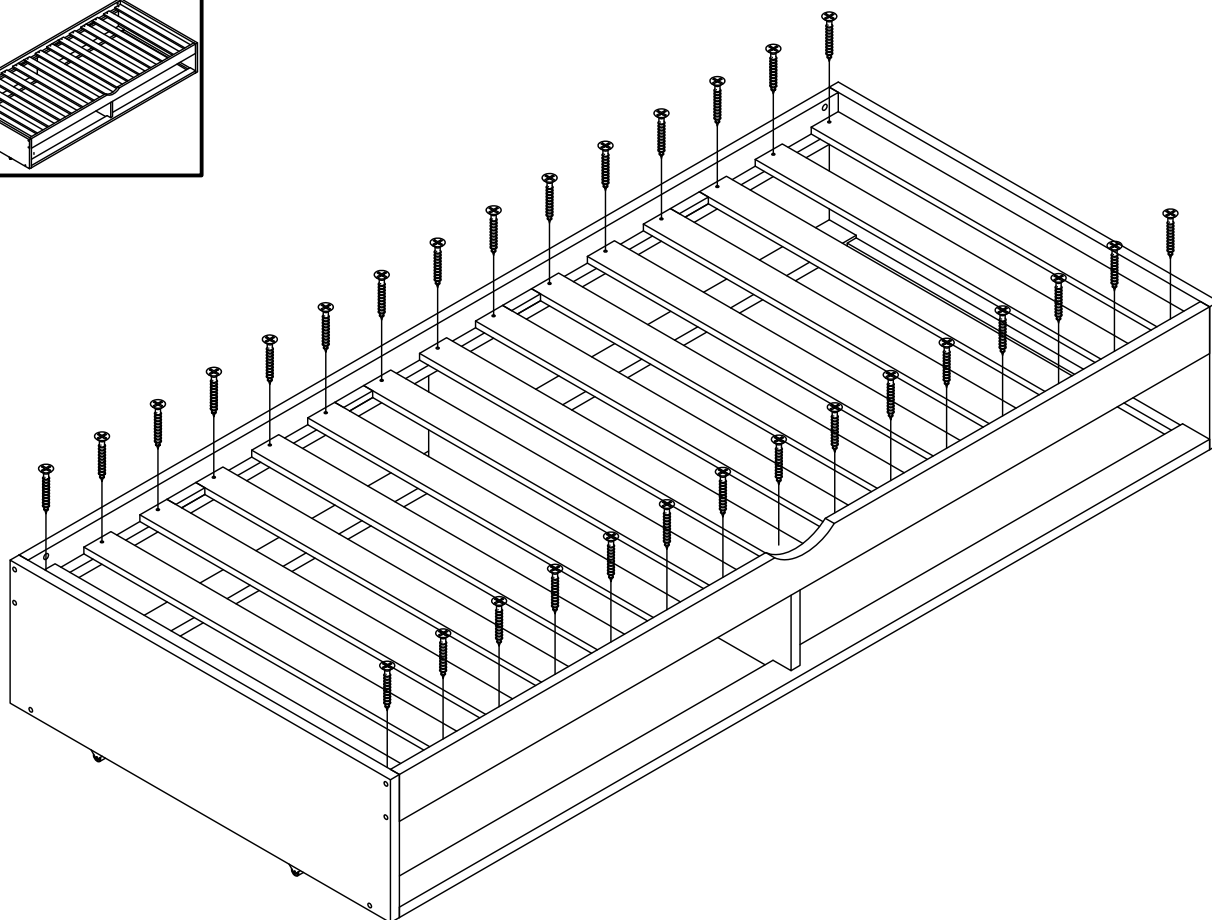
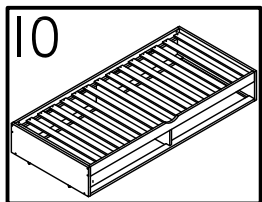
C	 Φ8x30mm	06
E		10
F		10



C	 Φ8x30mm	02
E		02
F		02
G	 Φ4x30mm	08



H		05
I		10



G		30
---	--	----

