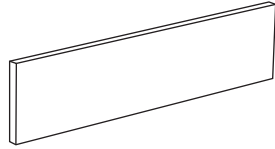


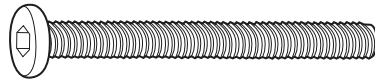
Halston Bunk Bed



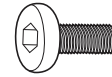
Fittings



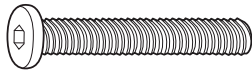
A Felt Pad x 8



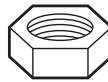
B M6x50mm bolts x 16



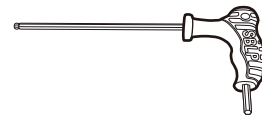
C M6x12mm bolts x 8



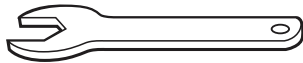
D M6x35mm bolts x 6



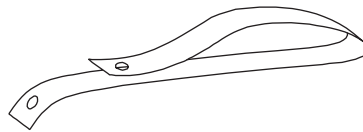
E Nut x 4



F Allen Key



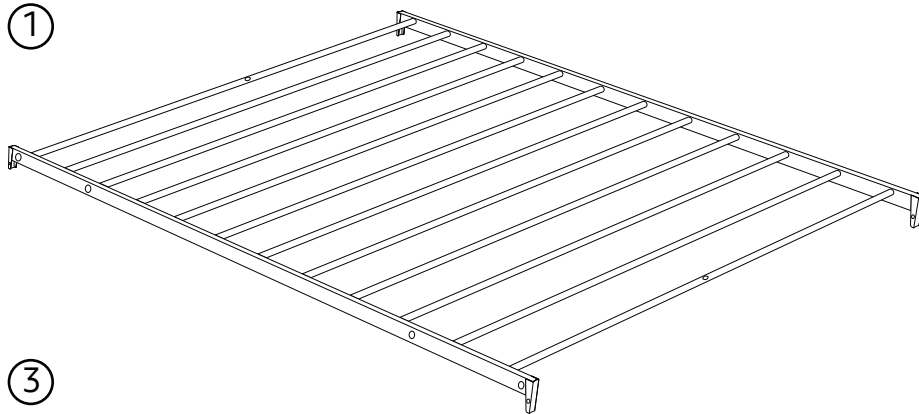
G Spanner



H x 2

Part Number

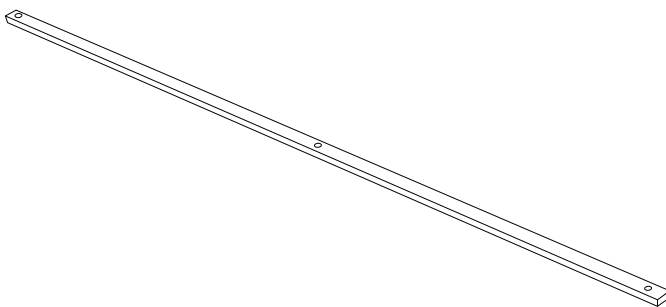
①



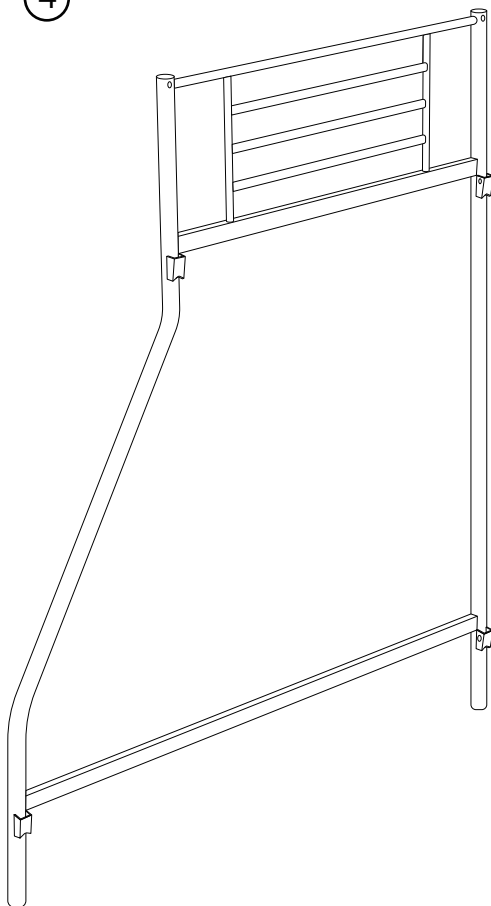
②x3



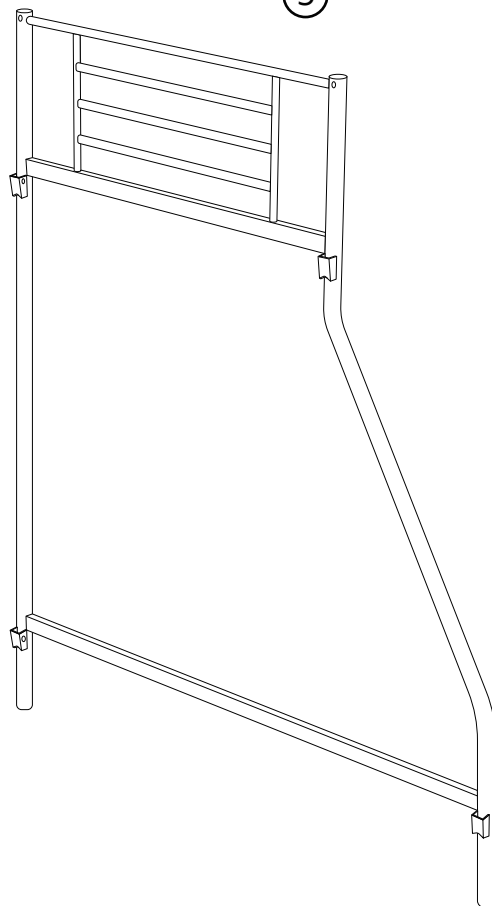
③



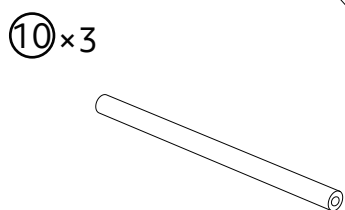
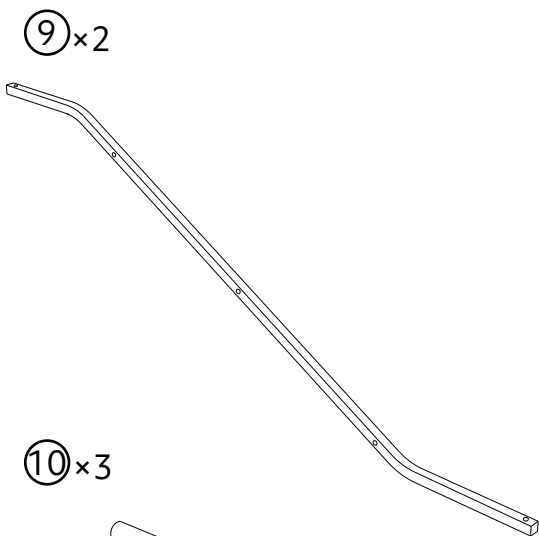
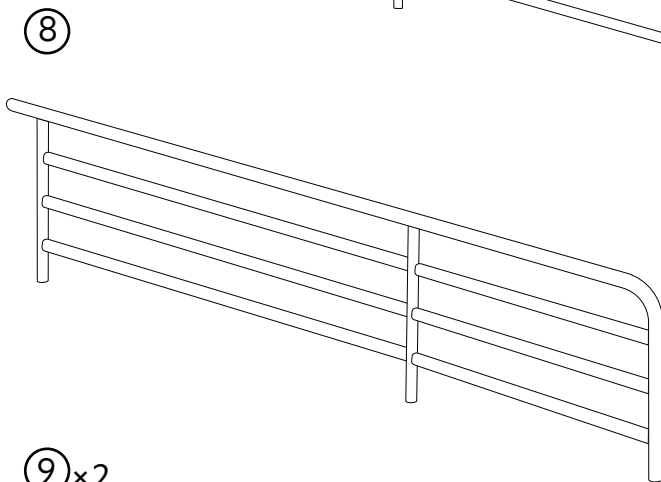
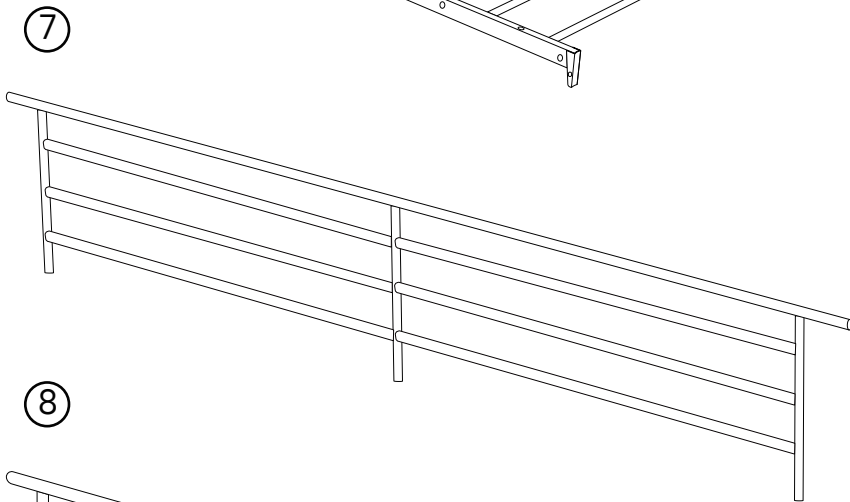
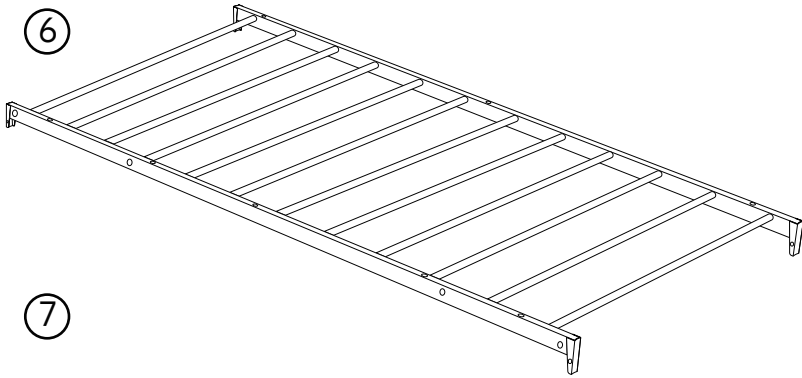
④



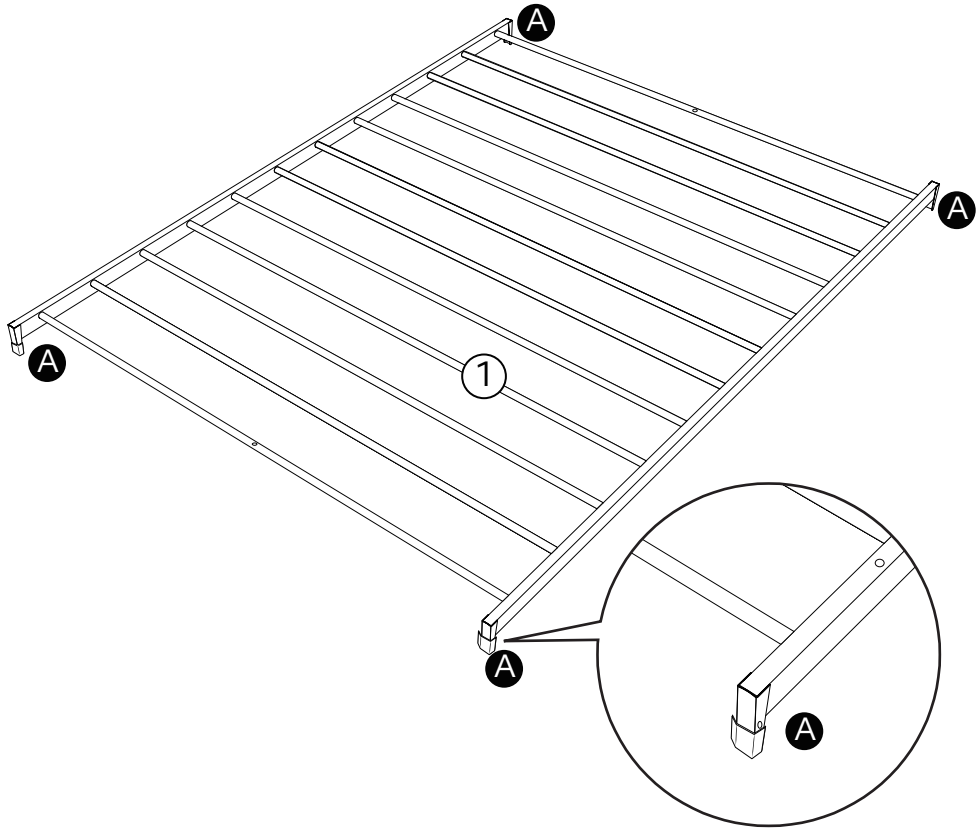
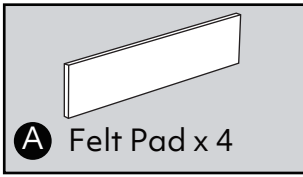
⑤



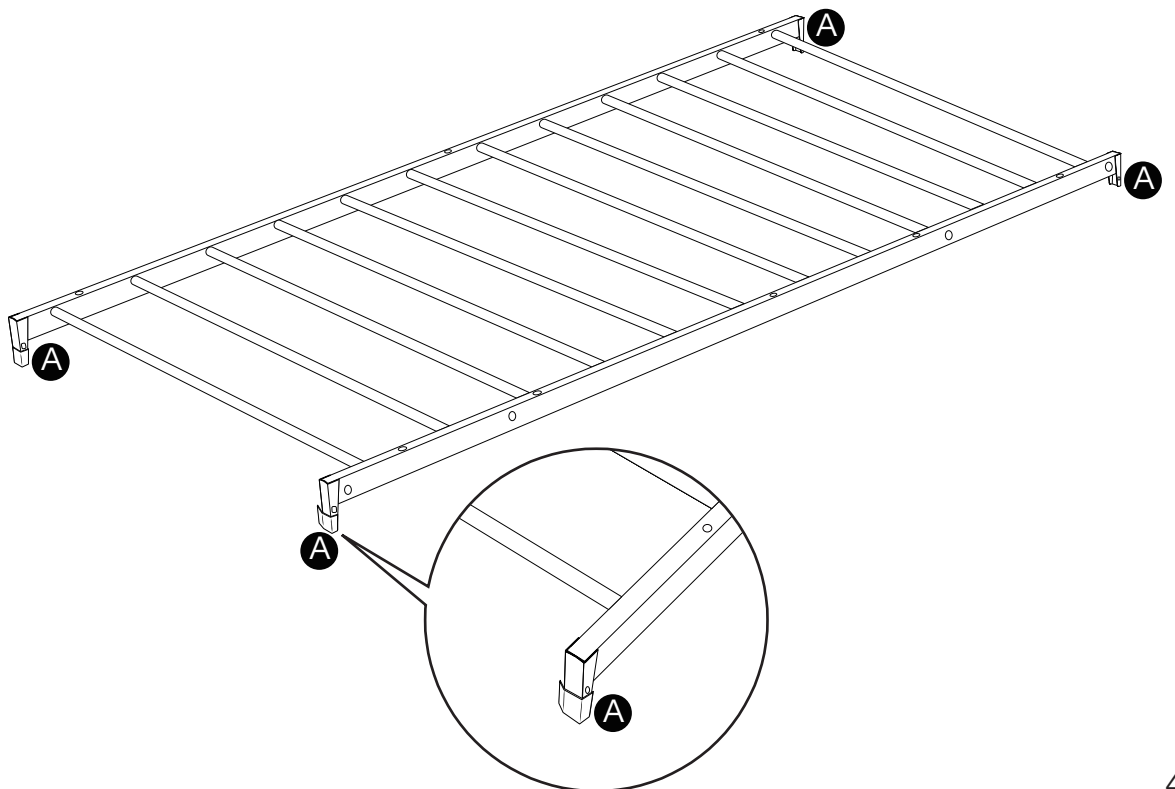
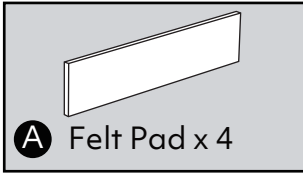
Part Number



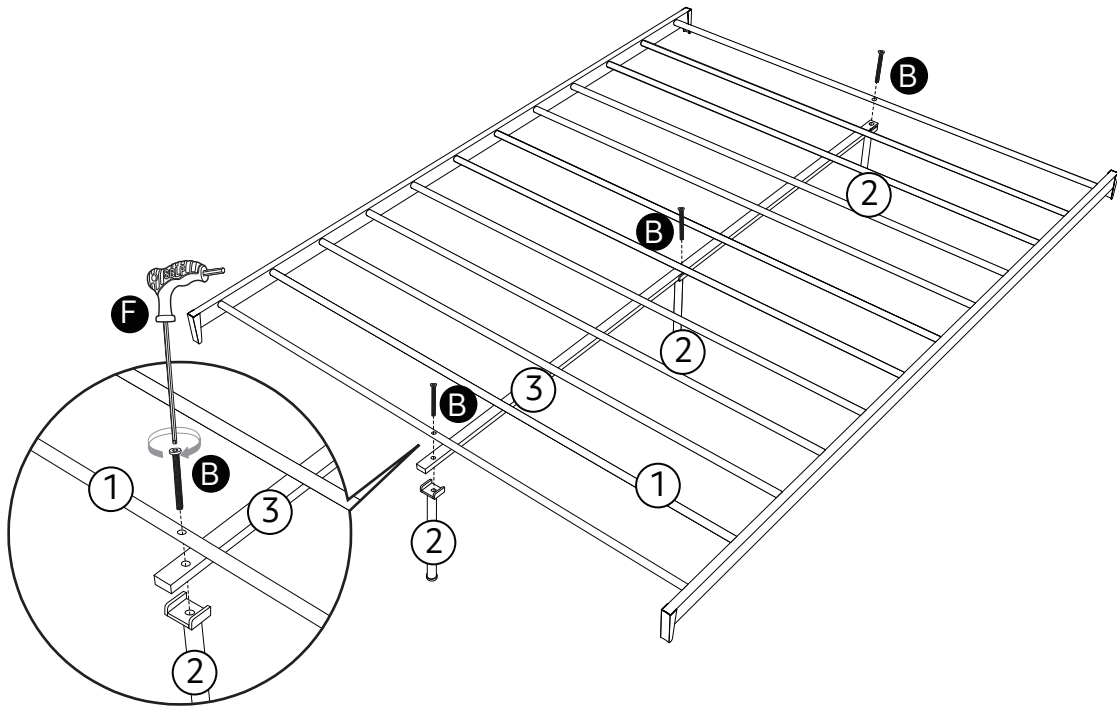
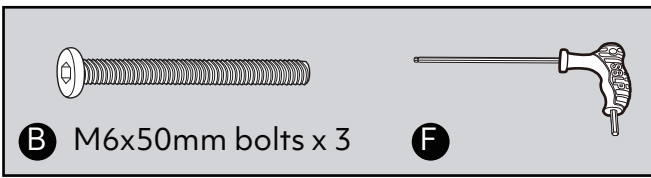
1



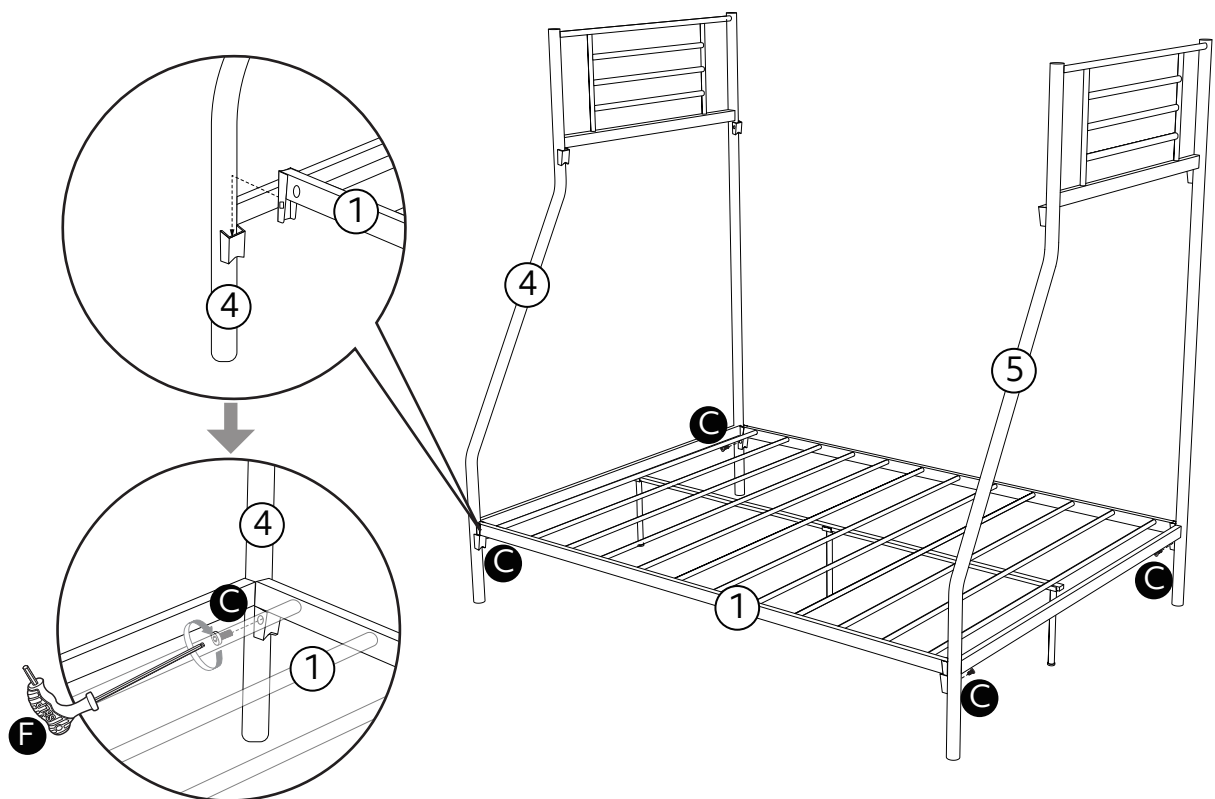
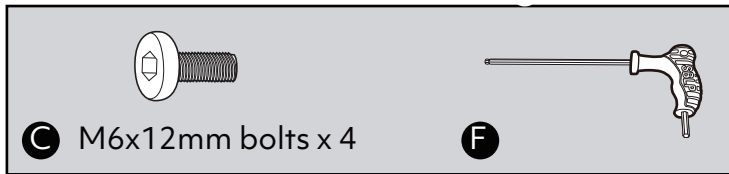
2



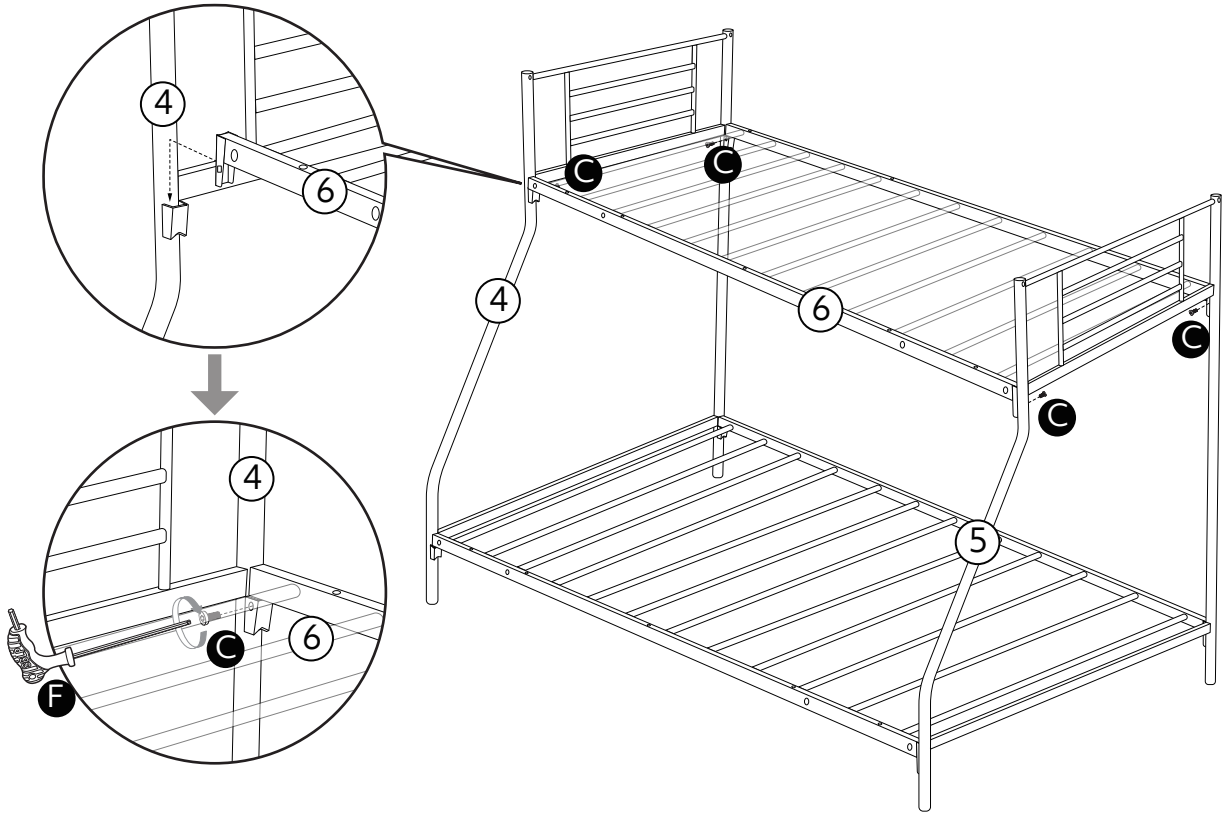
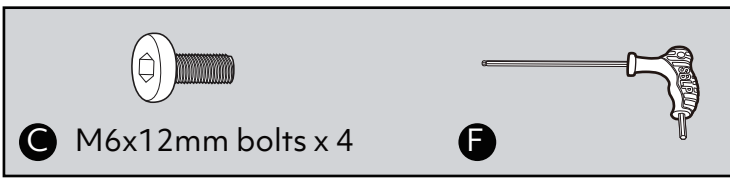
3



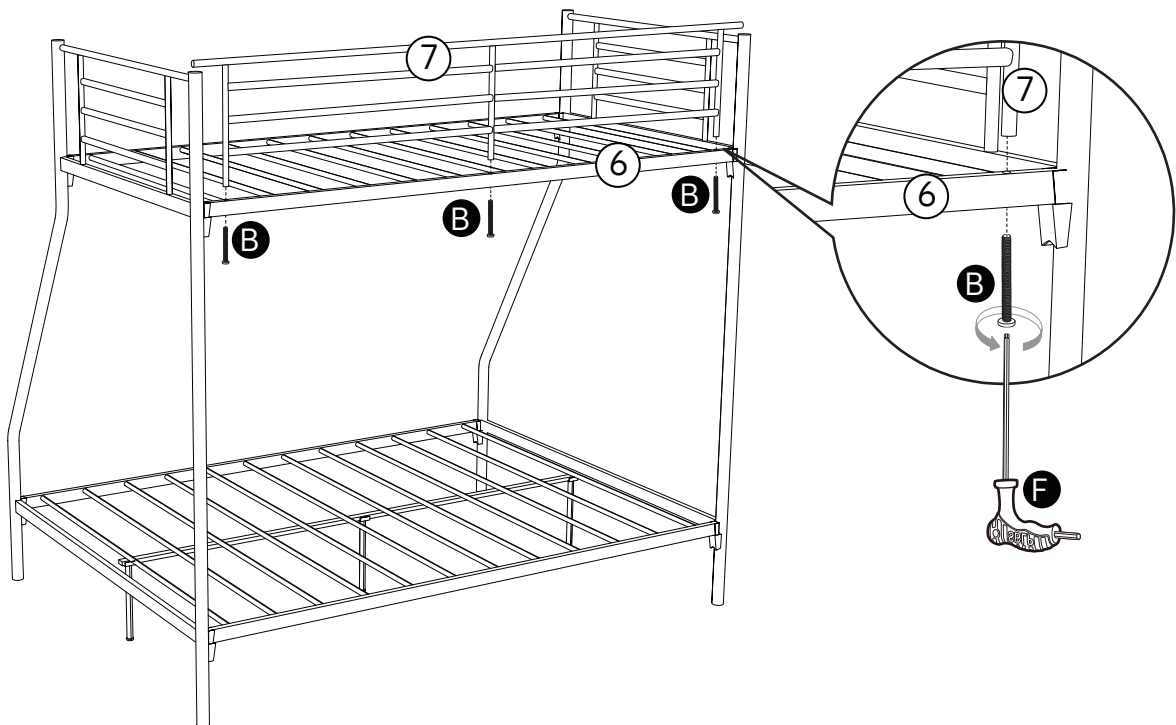
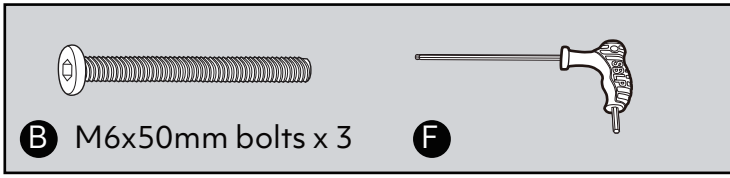
4



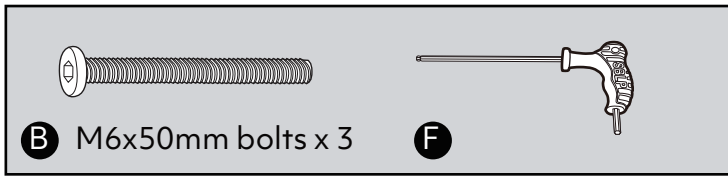
5



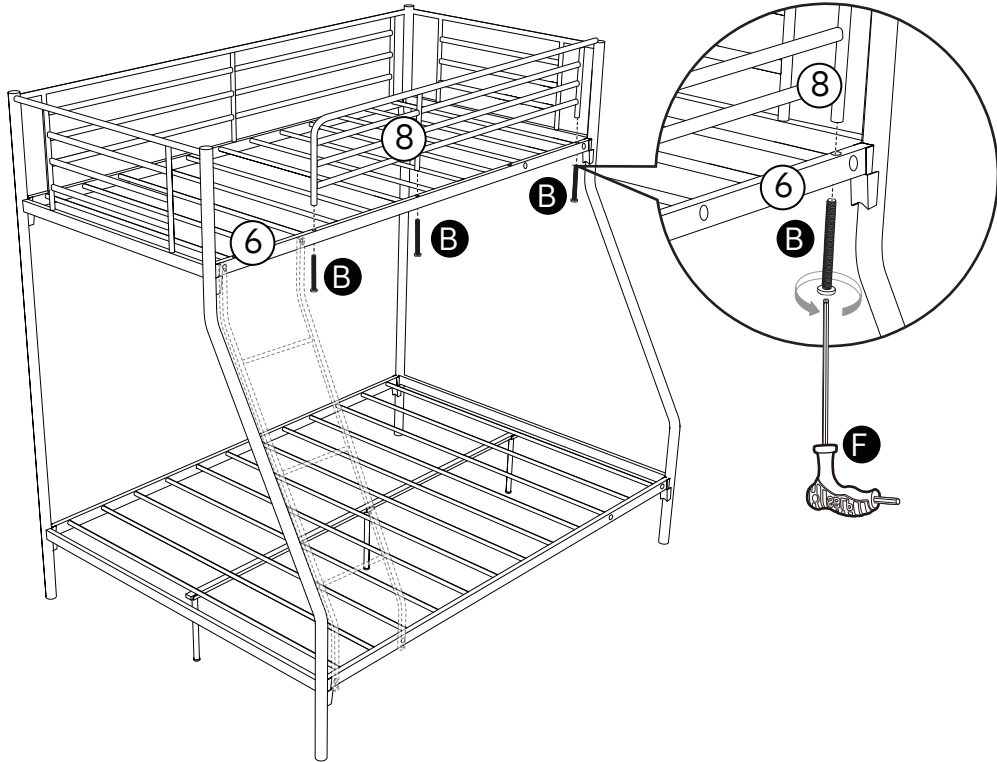
6



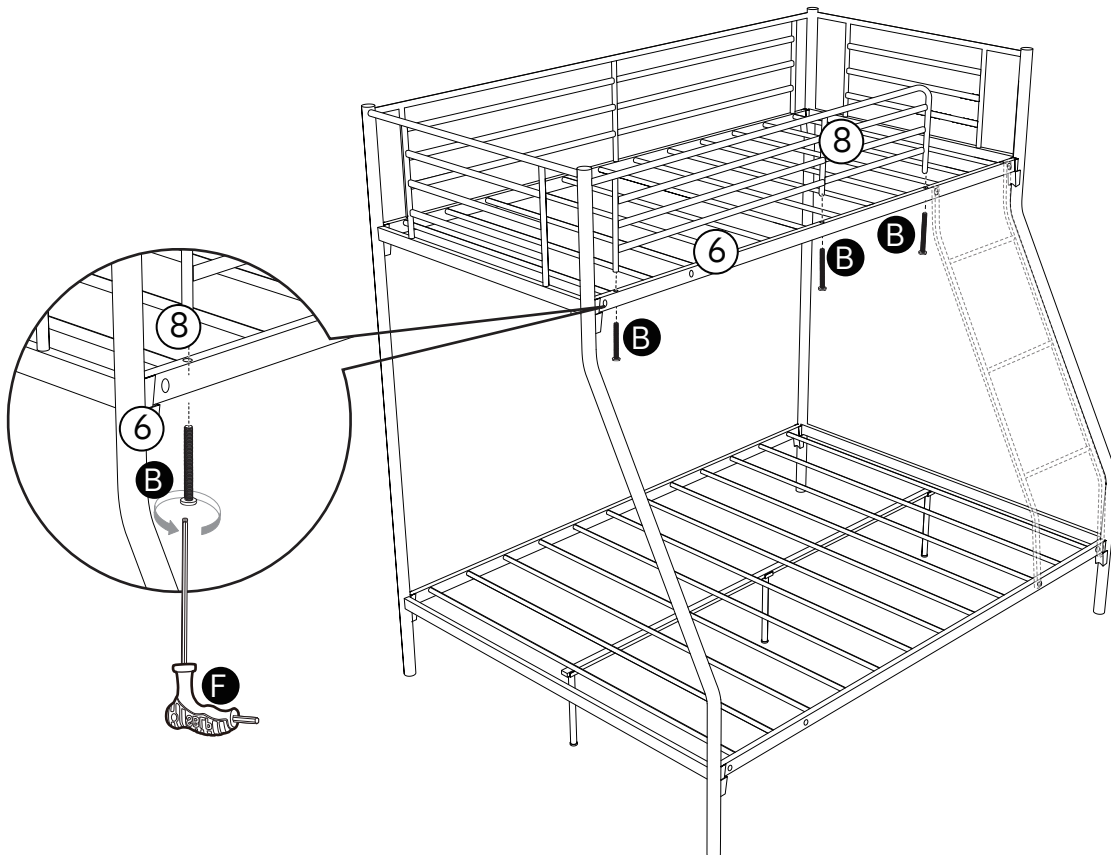
7



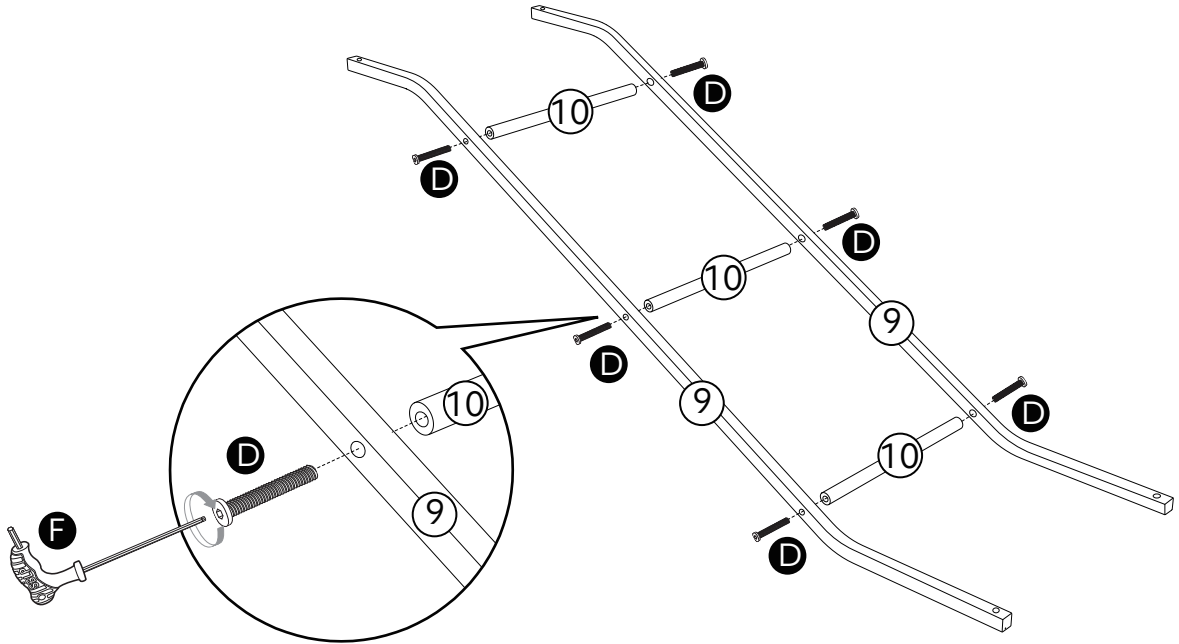
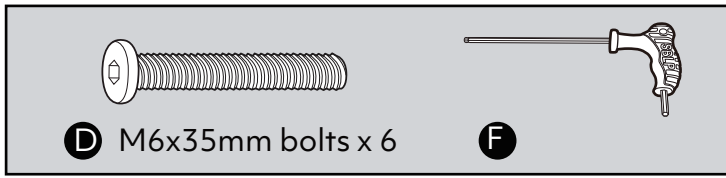
Left Stair Rail



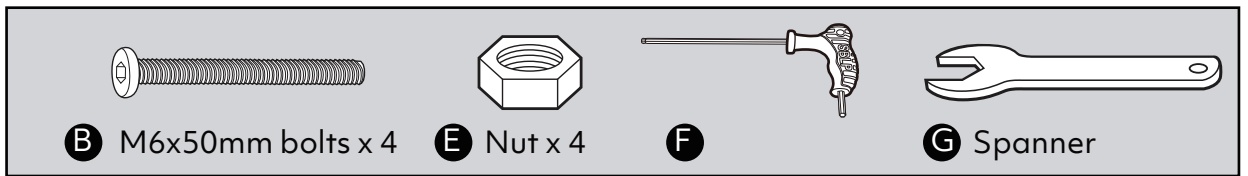
Right Stair Rail



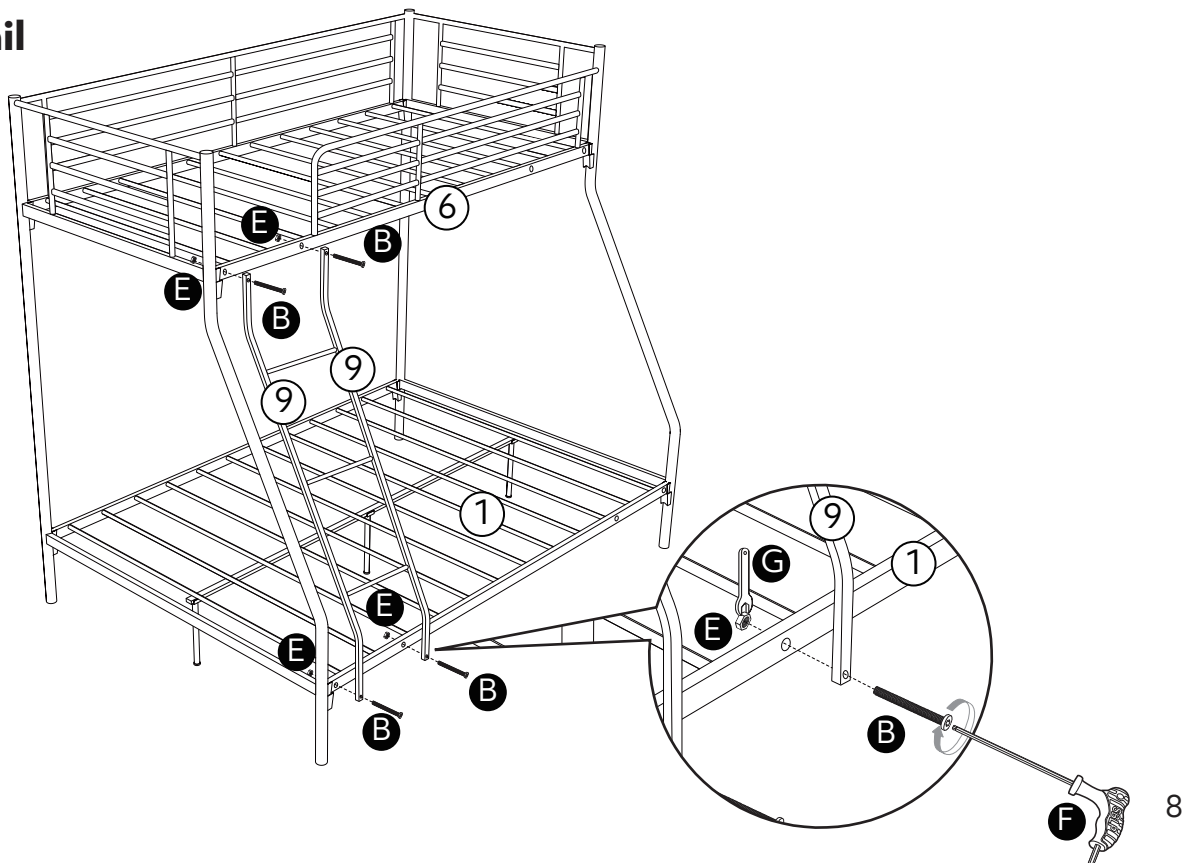
8



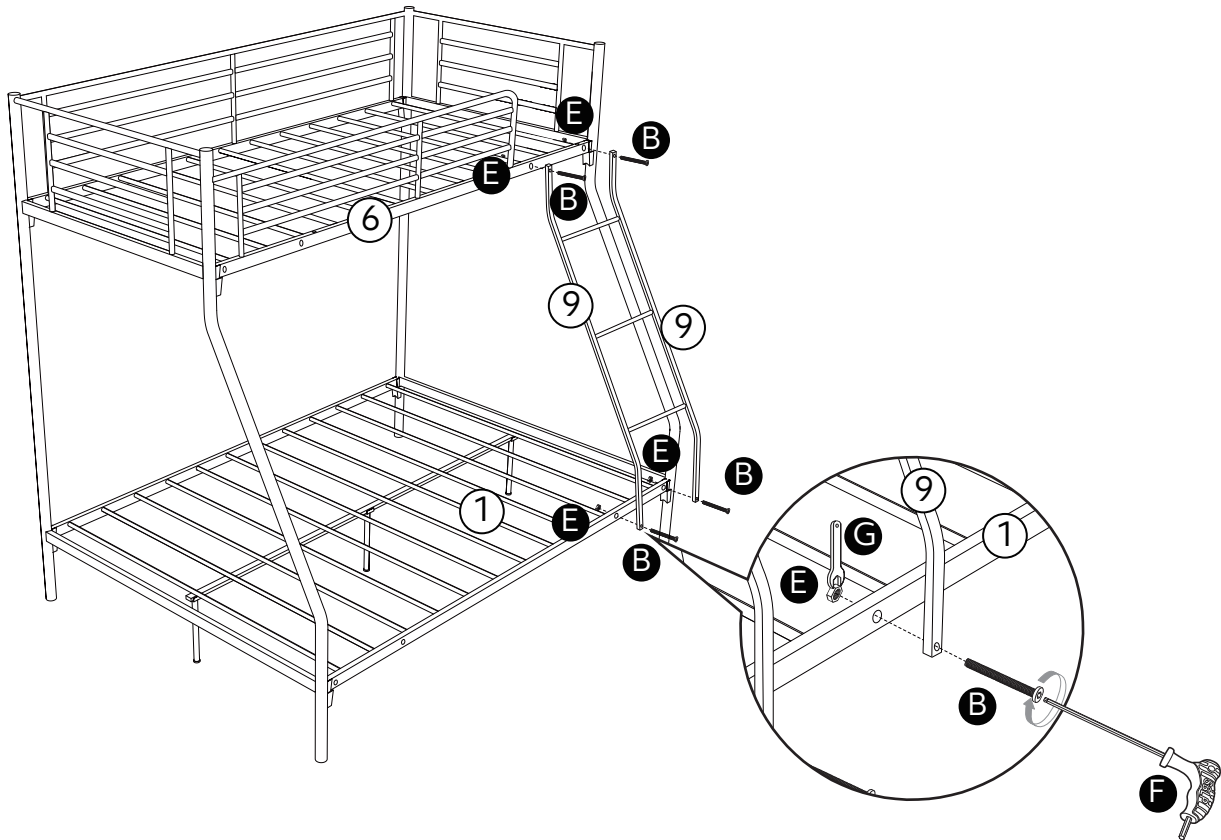
9



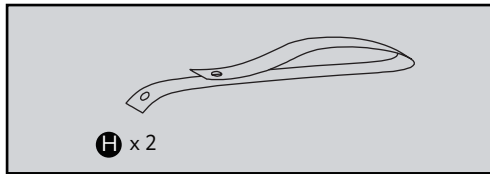
Left Stair Rail



Right Stair Rail

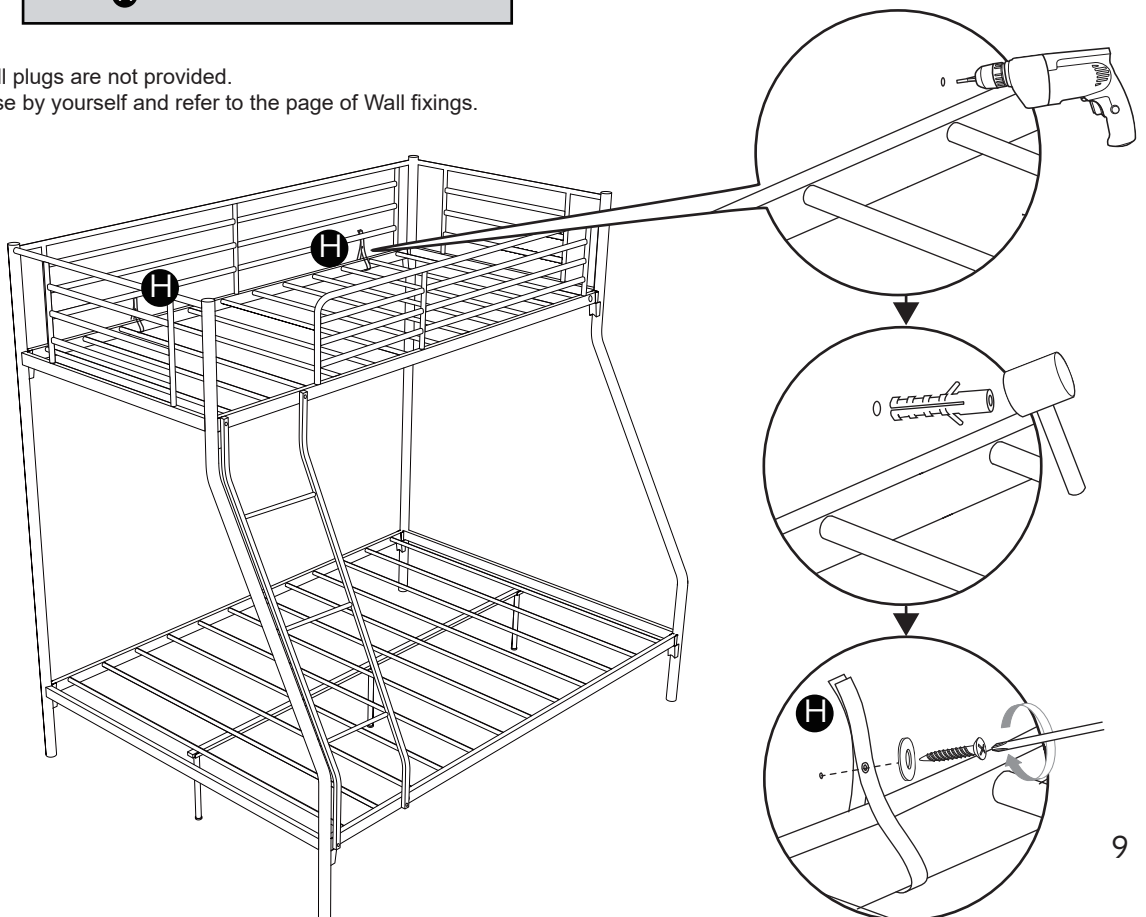


10

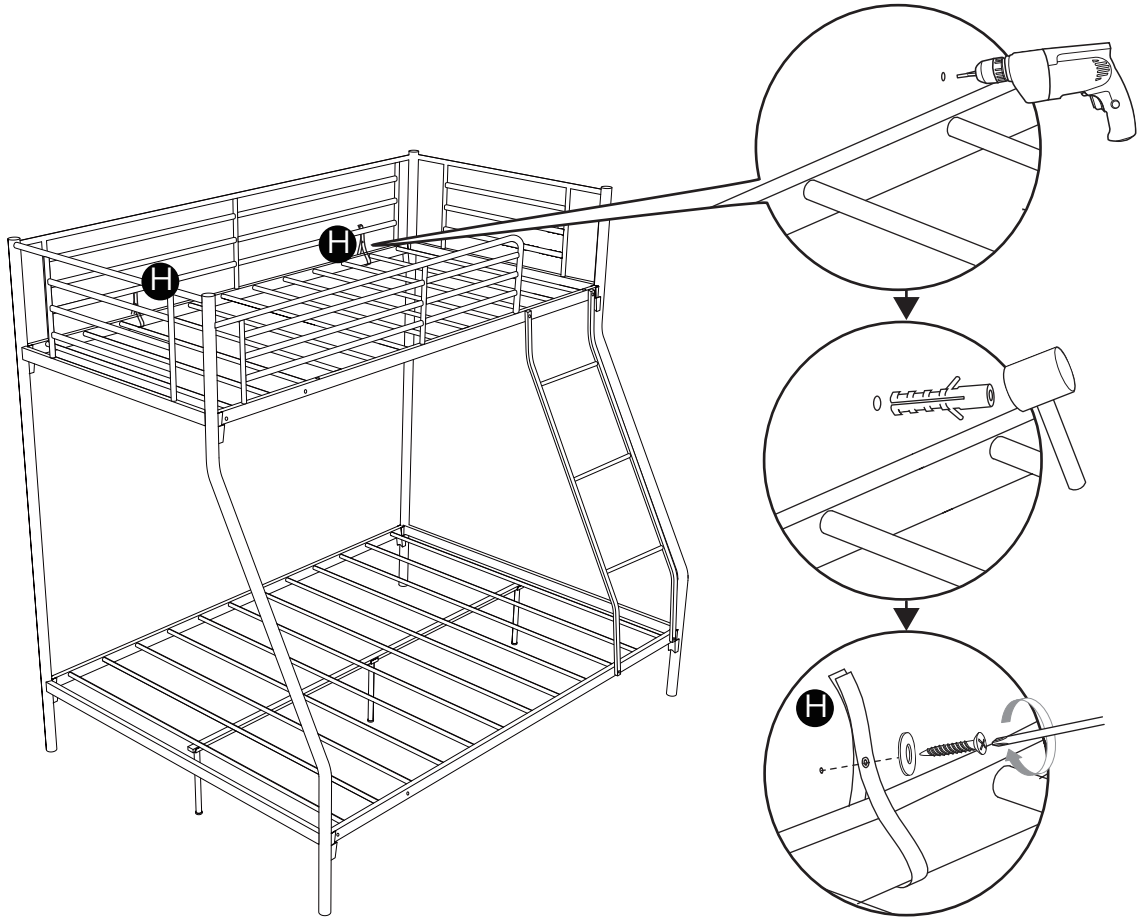


Screws and wall plugs are not provided.
Please buy these by yourself and refer to the page of Wall fixings.

Left Stair Rail



Right Stair Rail



11

Left Stair Rail

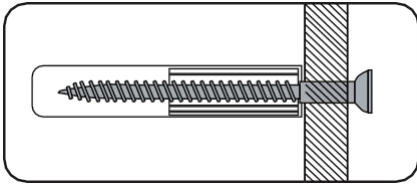


Right Stair Rail



Wall fixings

Step by step



Important

When drilling into walls always check there are no hidden wires or pipes etc. Make sure that the screws and wall plugs being used are suitable for supporting your unit. Consult a qualified tradesperson if you are unsure.

Hints

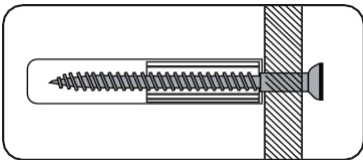
1. General Rule; Always use a larger screw and wall plug if you are not sure.
2. Ensure you use the recommended drill bit to match the wall plug and hole size.
3. Ensure you drill the hole horizontally, do not force the drill or enlarge the hole.
4. Take extra care when drilling high walls, ceilings and ceramic tiles. Ensure the plug is fitting below the ceramic tile to avoid splitting or cracking.
5. Ensure wall plugs are well fitted and are a tight fit in the drilled hole.

Types of Walls

You can use one of the following types of wall plug if your walls are made of brick, breeze block, concrete, stone, wood or plastic board.

1. STANDARD Wall Plug

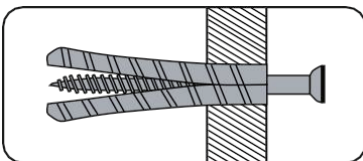
General wall materials



These come in various sizes and are made from plastic or sometimes wood fibre.

2. GENERAL PURPOSE Wall Plug

Aerated/Breeze block

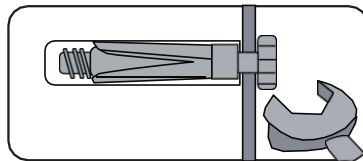


Generally aerated blocks should not be used to support heavy loads, use a specialist fitting in this case. For light loads, a General Purpose Plug can be used.

3. SHIELD ANCHOR

Wall Plug

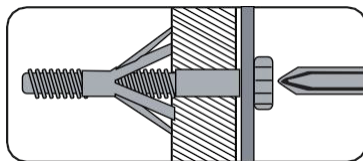
Heavy loads



For use with heavier loads such as TV & Hi-fi Speakers and Satellite Dishes etc.

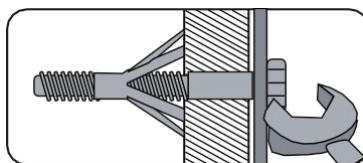
4. CAVITY FIXING

Wall Plug.



For use with plaster board partitions or hollow wooden doors.

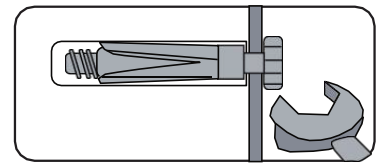
5. CAVITY FIXING HEAVY DUTY Wall Plug



For use with plaster board partitions or hollow wooden doors.

6. HAMMER FIXING

Wall Plug



For use with walls stuck with plaster board. The hammer fixing allows it to be fixed to the wall rather than the plaster board. Always check the fixing is secure to the retaining wall.

Care and Maintenance

! Safety

Always check the fitting and location to ensure your safety in and around the home.

! Fitting

From time to time check the fitting to ensure the wall plugs or screws do not become loose.

Wall fixings

- This wall fixing is provided for your safety and we recommend that once in position the unit is secured to the wall for extra stability.
- Wall fixings may vary depending on item of furniture purchased.
- Wall fittings are not provided as different wall types require different raw plugs and screws.
- Please ensure that you use fittings that are suitable for your wall type (see above for a general guide).
- Please ensure that the head of the screws used has a diameter greater than the diameter of the hole on the wall fixing and that the fixing is safe and secure before using.
- When drilling into the walls, always ensure there are no hidden wires or pipes.
- If you are unsure, we recommend you consult a qualified Trades person.