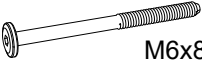




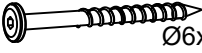







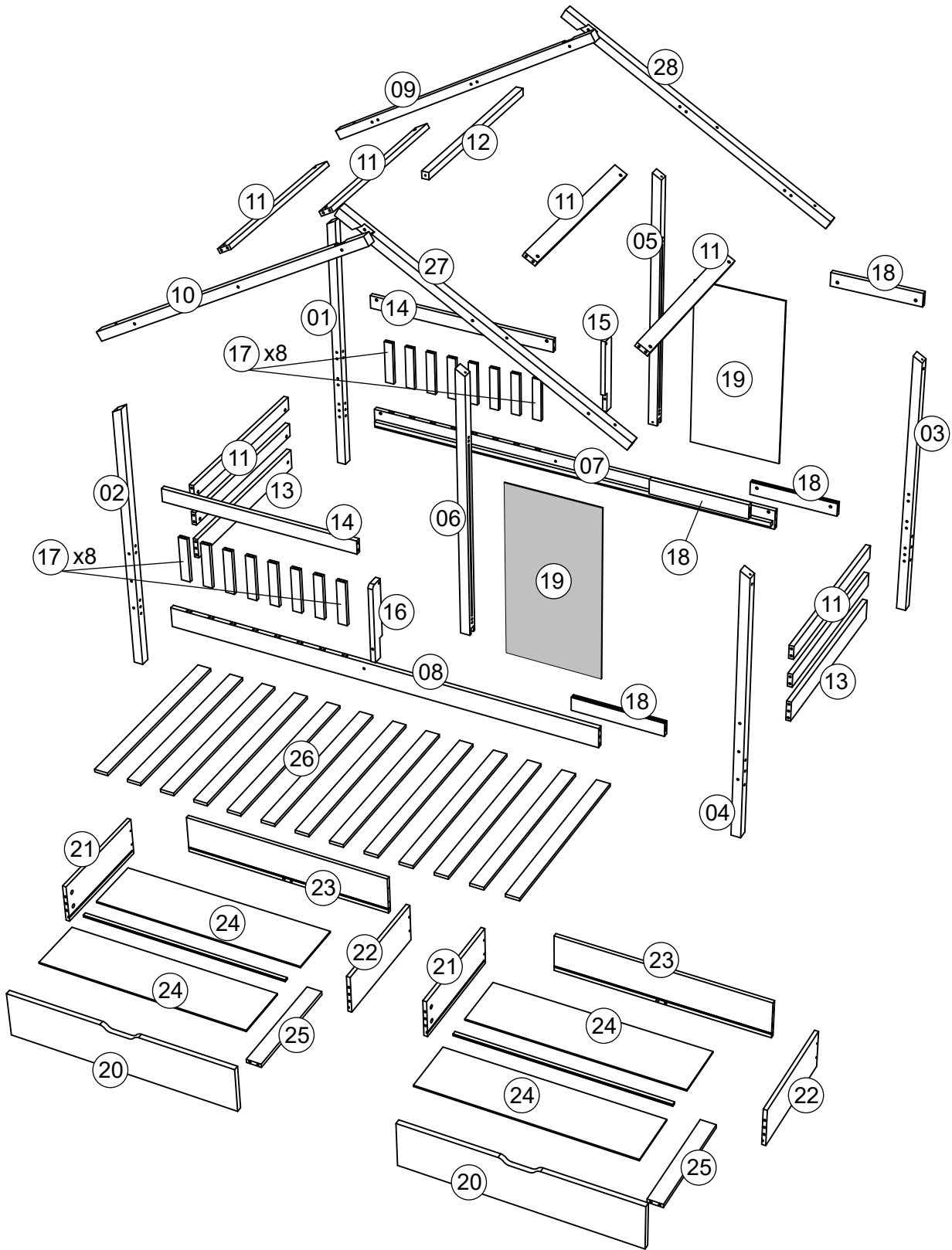
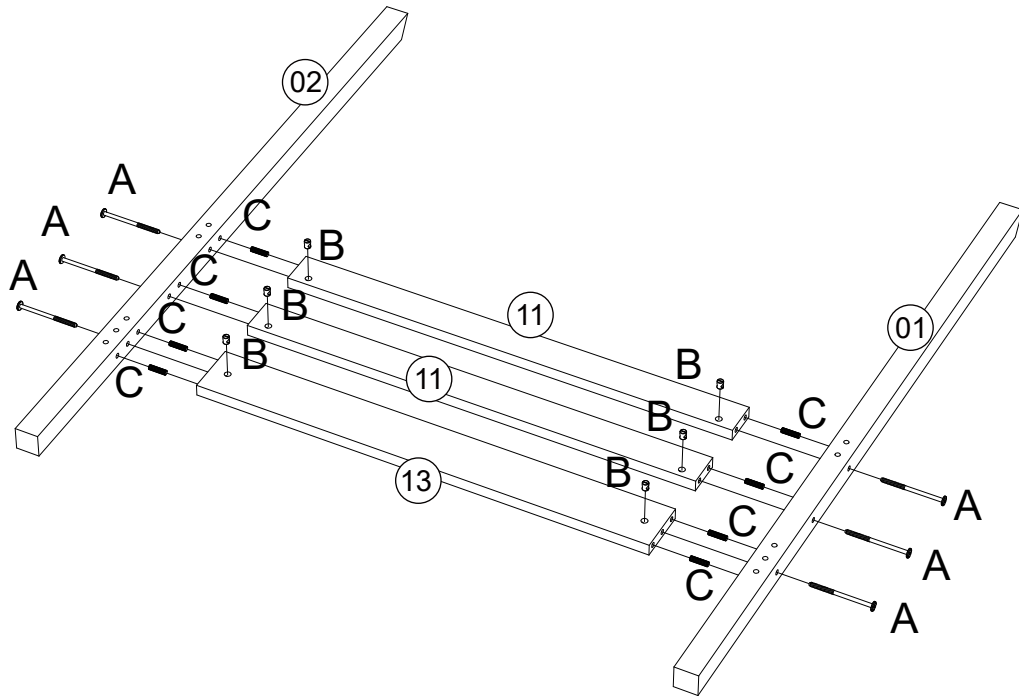





<b>A</b>	 M6x80mm	38
<b>B</b>		40
<b>C</b>	 Ø8x30mm	112
<b>D</b>	 M6x60mm	02
<b>E</b>	 M6x20-Ø8mm	02
<b>F</b>	 Ø6x70mm	08
<b>G</b>	 Ø4x30mm	36

<b>H</b>	 M4	02
<b>J</b>		12
<b>K</b>		12
<b>L</b>		08
<b>M</b>	 Ø4x16mm	16
<b>N</b>	 M6x50mm	02

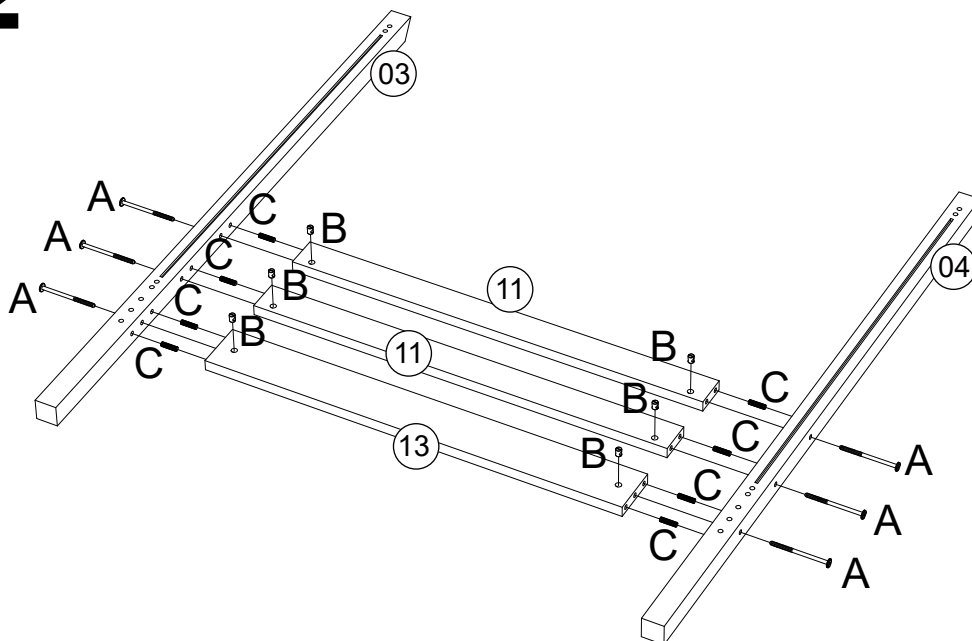





# 1



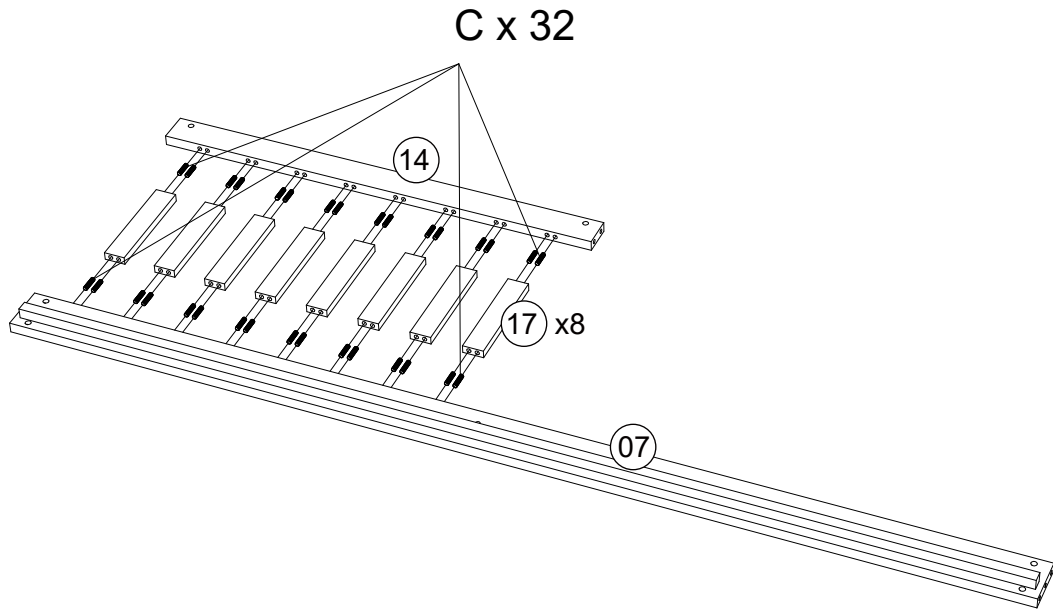
A	 M6x80mm	06
B		06
C	 Ø8x30mm	08

# 2



A	 M6x80mm	06
B		06
C	 Ø8x30mm	08

# 3



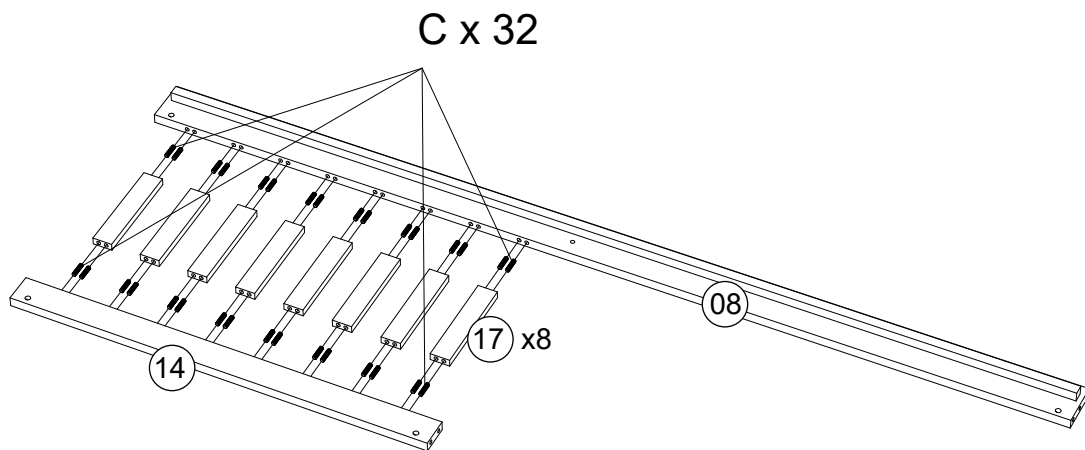
C



Ø8x30mm

32

# 4



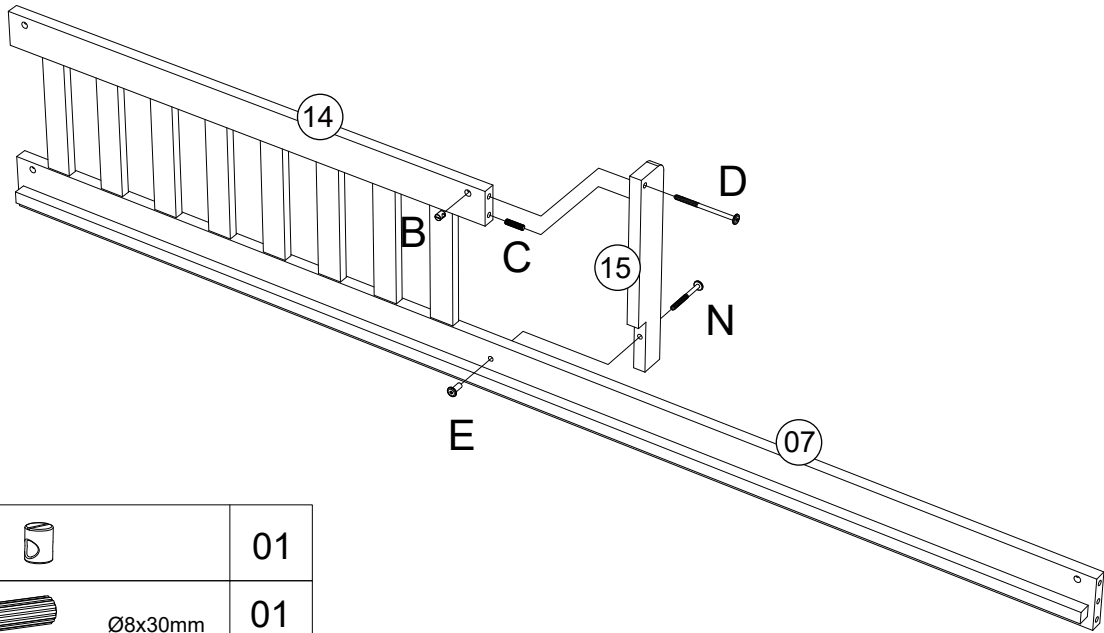
C








Ø8x30mm

32

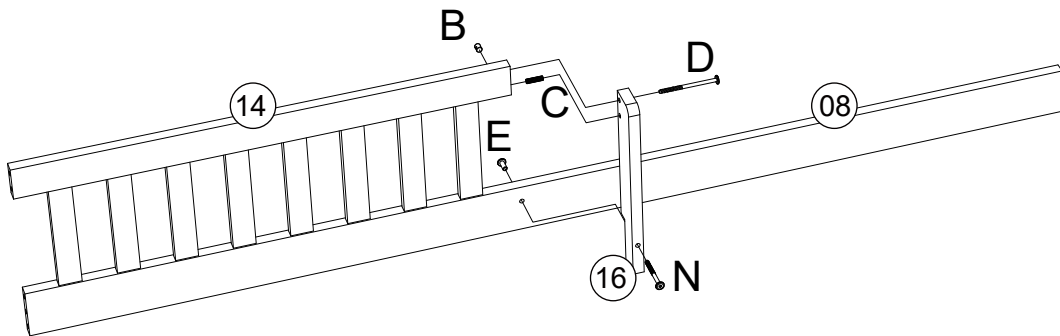
# 5








B		01
C	 Ø8x30mm	01
D	 M6x60mm	01
E	 M6x20-Ø8mm	01

N	 M6x50mm	01
---	---	----

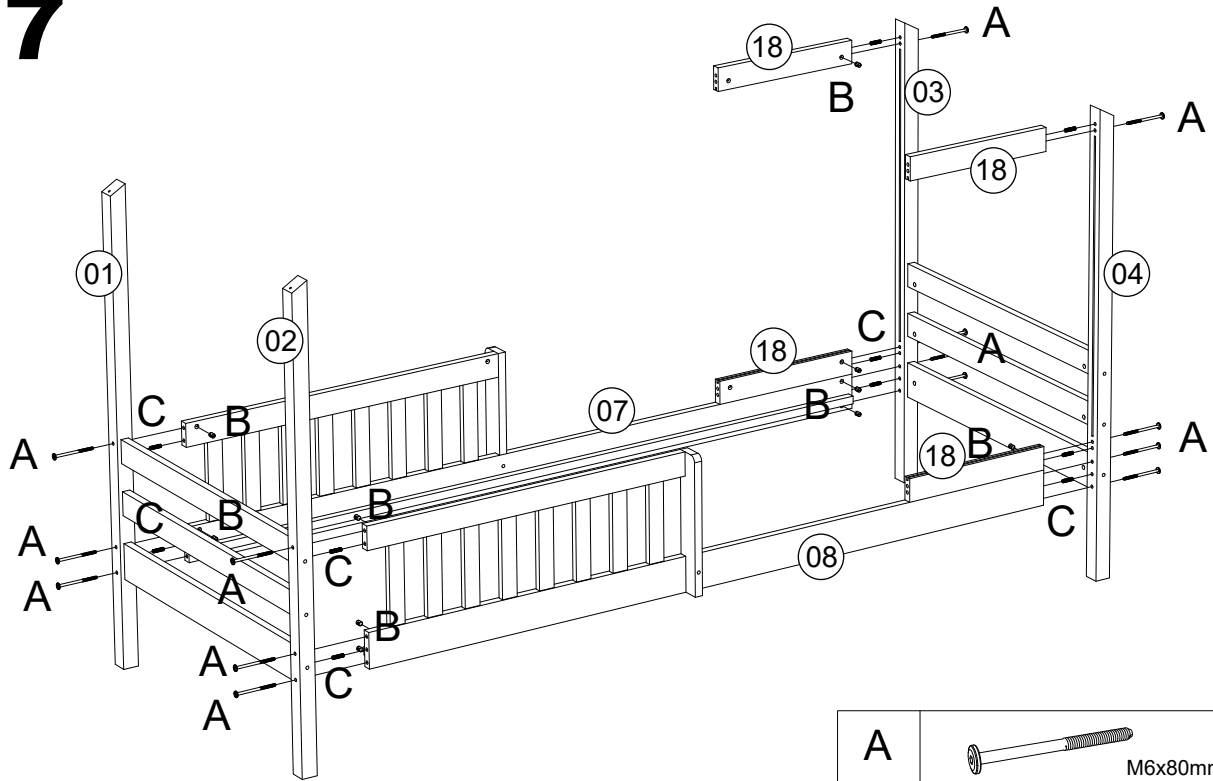
# 6

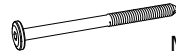




B		01
C	 Ø8x30mm	01
D	 M6x60mm	01
E	 M6x20-Ø8mm	01

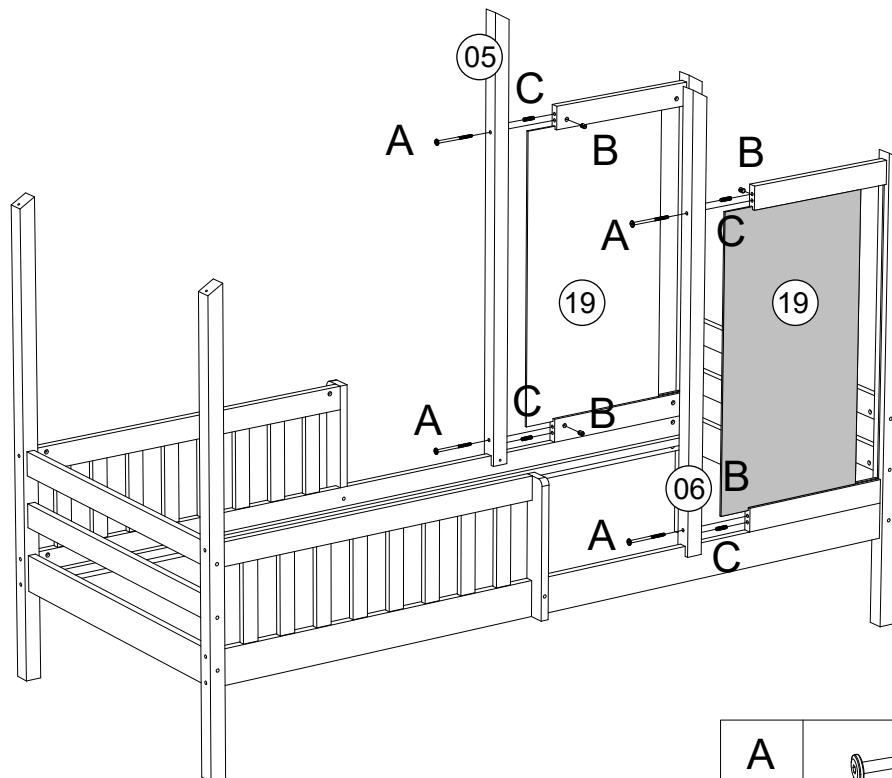
N	 M6x50mm	01
---	---	----

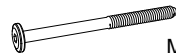


# 7



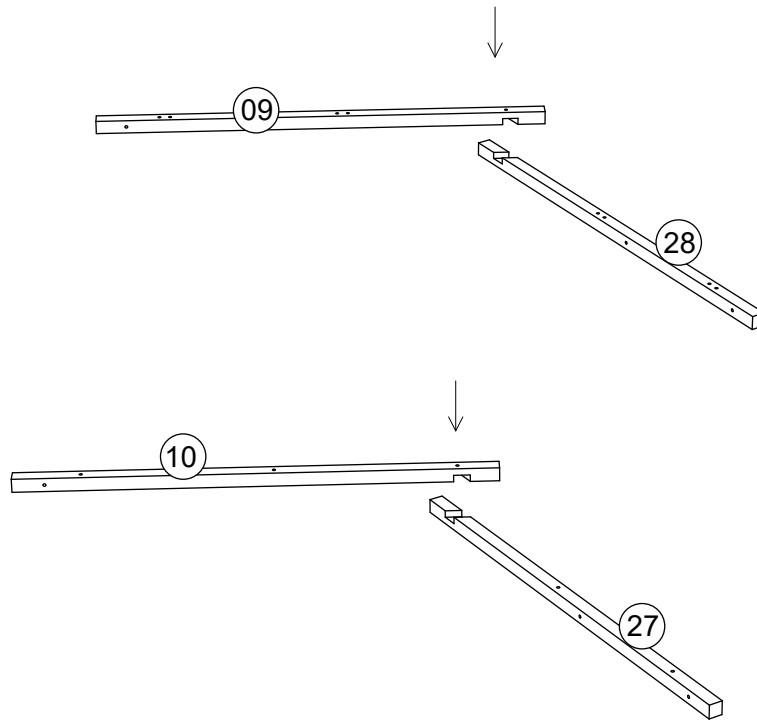
A	 M6x80mm	14
B		14
C	 Ø8x30mm	10

# 8

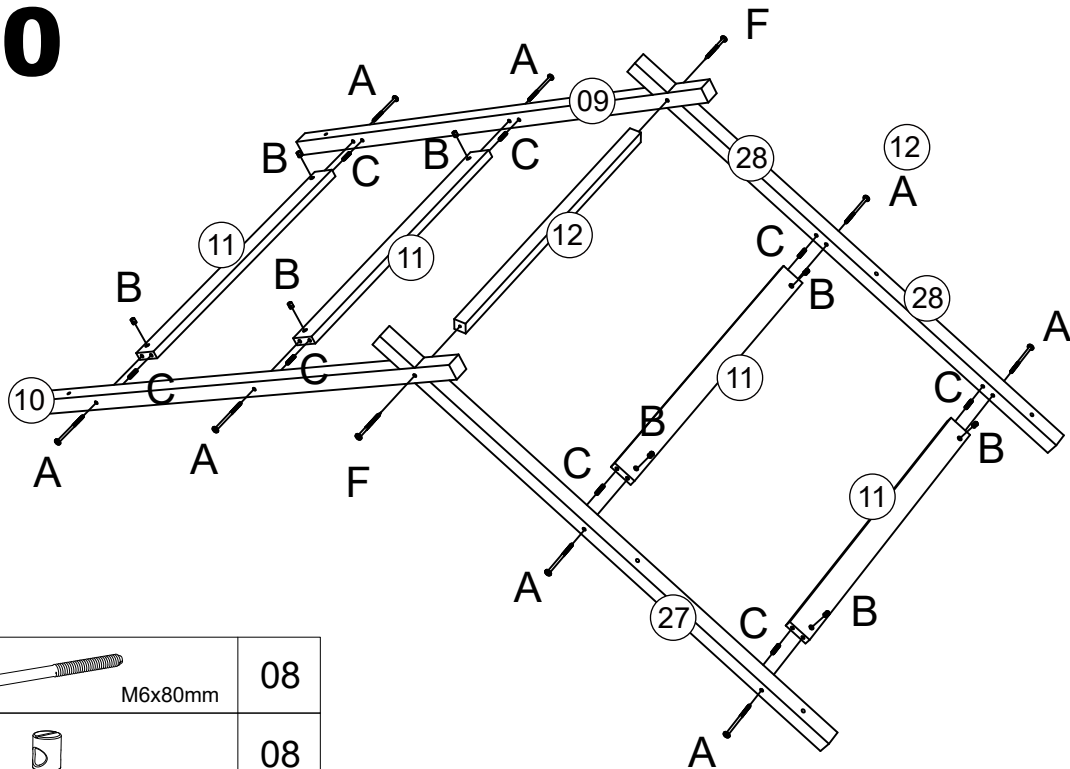





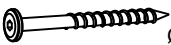
A	 M6x80mm	04
B		04
C	 Ø8x30mm	04

# 9

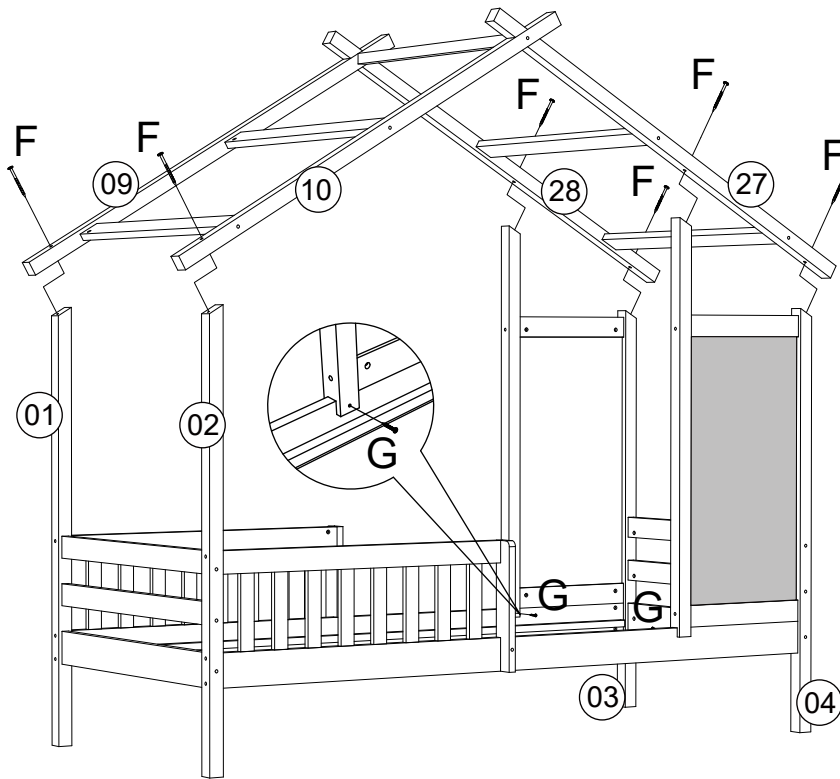



# 10



A	 M6x80mm	08
B		08
C	 Ø8x30mm	08
F	 Ø6x70mm	02

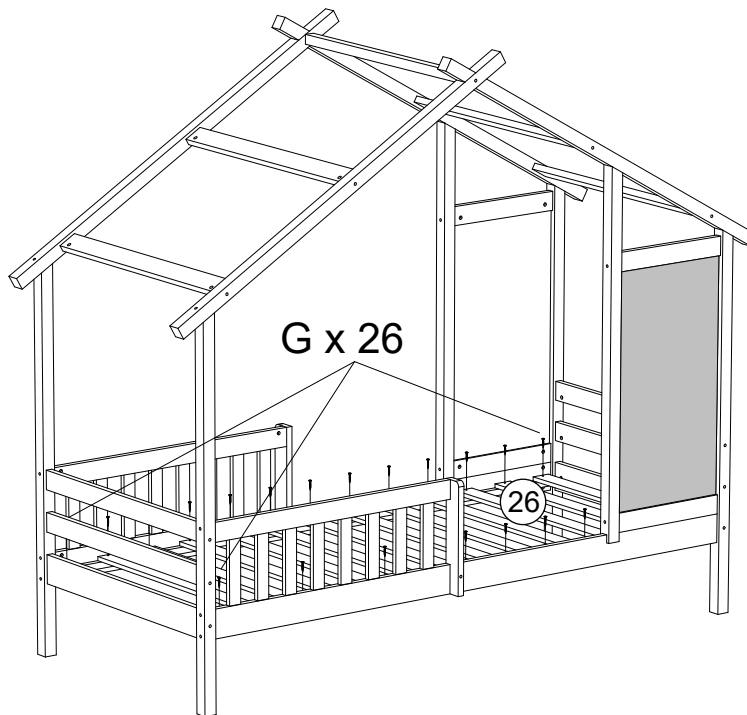
# 11



F  Ø6x70mm 06

G  Ø4x30mm 02

# 12

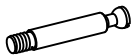


G  Ø4x30mm 26

# 13

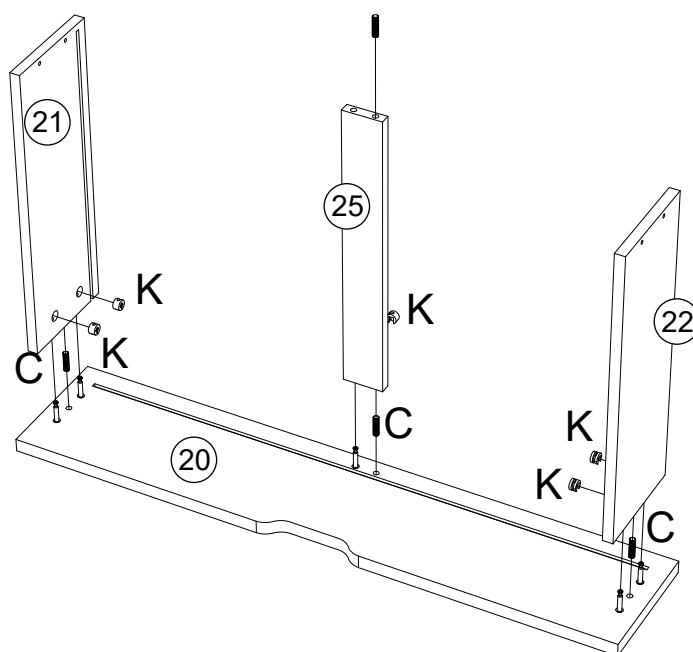
# 2X





J		12
---	---	----

# 14

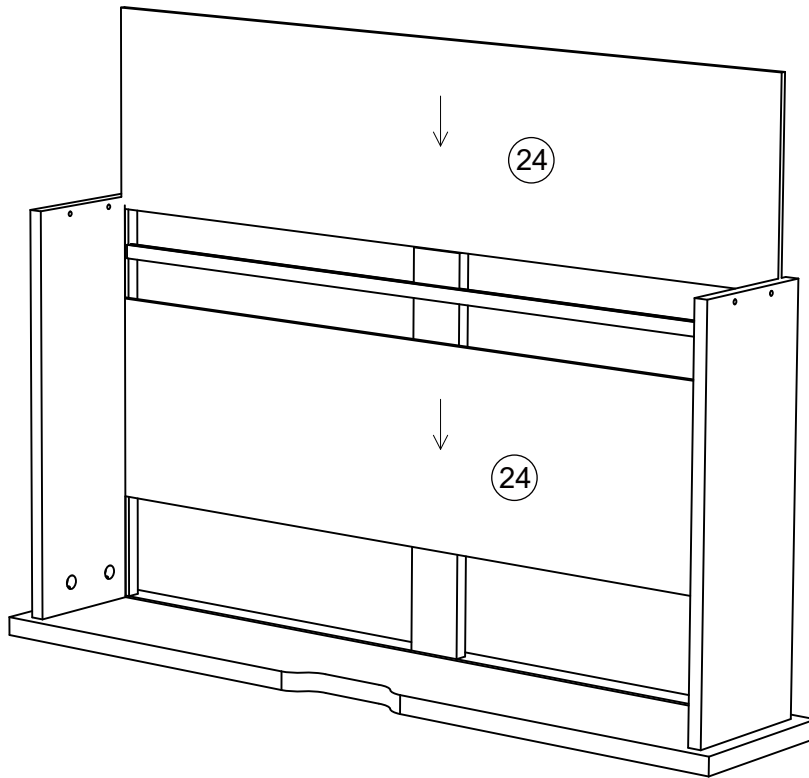
# 2X



C	 Ø8x30mm	08
K		10

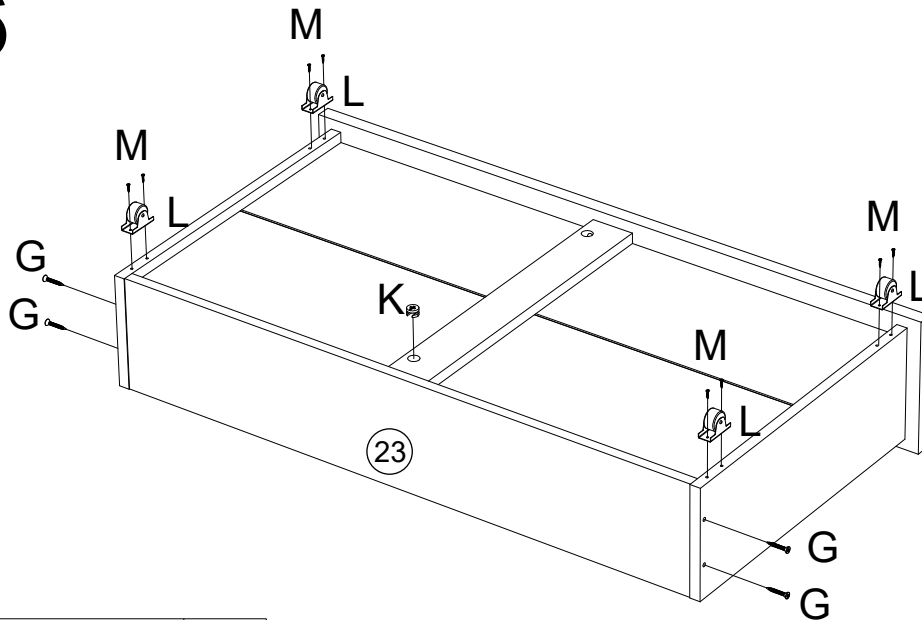
# 15





# 2X



# 16

# 2X



G	 Ø4x30mm	08
K		02
L		08
M	 Ø3x16mm	16

17

