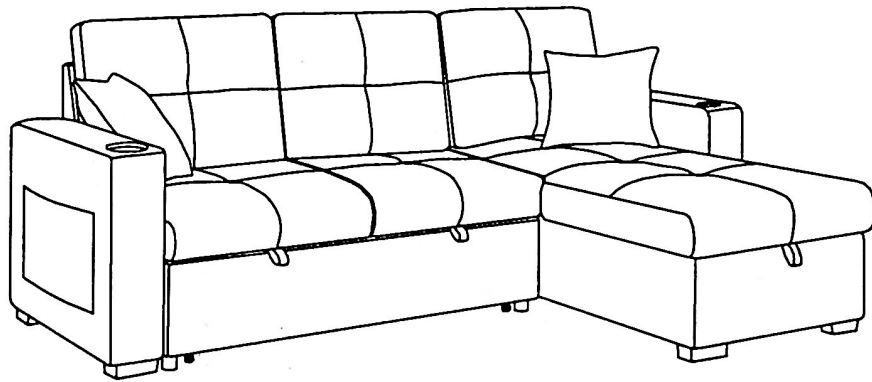


BRADDEX

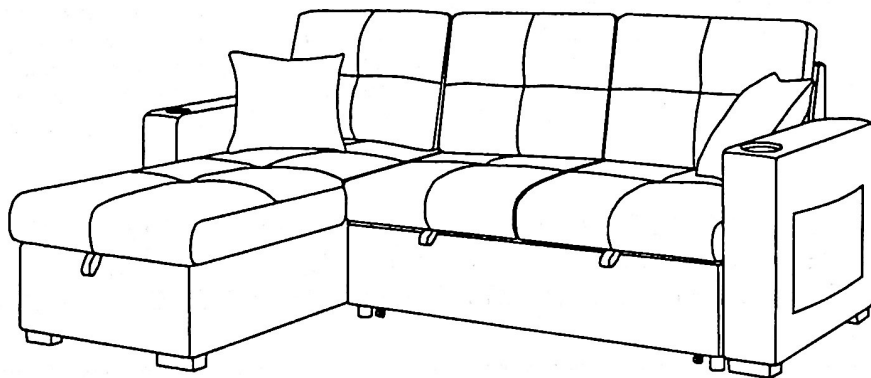
רה"ט"ם

Assembly Instructions

ITEM NO.:KREDO



RIGHT CHAISE



LEFT CHAISE

ASSEMBLY RATING

The Assembly Rating is a 5-point system that shows the degree of effort needed in assembling a specific product (with 1 being easy and 5 being relatively difficult). For some products, two persons are recommended.

EASY

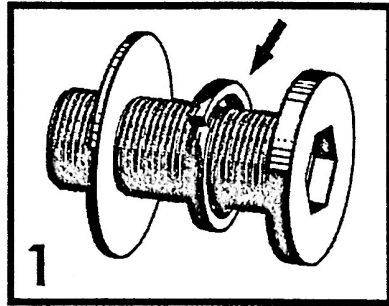


DIFFICULT

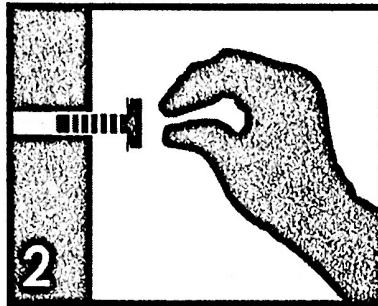
ASSEMBLY & CARE ADVICE

FOR YOUR FURNITURE TO LAST, CORRECT ASSEMBLY AND PROPER MAINTENANCE ARE NECESSARY. PLEASE FOLLOW THE INFORMATION PROVIDED BELOW TO FULLY ENJOY YOUR FURNITURE.

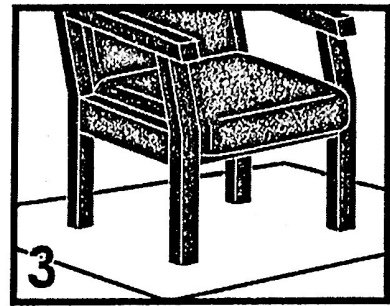
BASIC ASSEMBLY TECHNIQUES



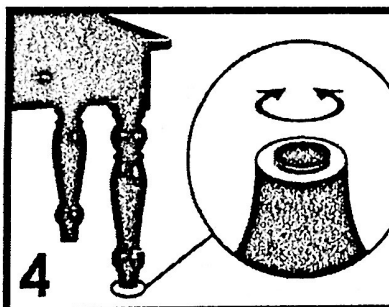
1
When lock or spring washer is used in an assembly, please make sure the lock or spring washer is placed between the larger flat washer and the head of the screw or bolt.



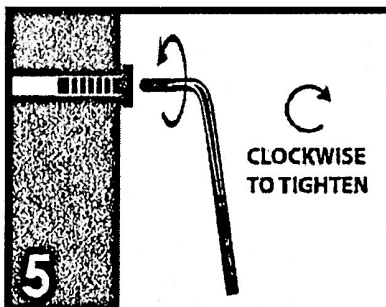
2
Position each part correctly and insert screws or bolts into their respective holes by hand tighten or using the proper hand tool. Only tighten when step is completed or when instructed to do so.



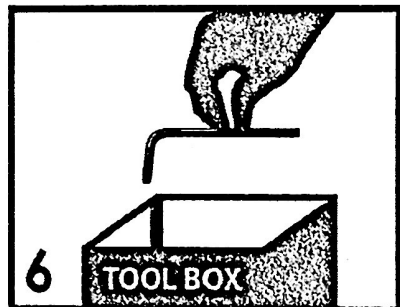
3
Use cardboard or carpet area when assembling furniture to prevent scratches. Make sure the furniture rests on a flat and level surface with each leg evenly touching the floor.



4
Some furniture comes with height adjustment knobs underneath each leg. To lower or to raise each leg, you need to turn clockwise or counterclockwise, respectively.



5
Make sure all parts are properly aligned, then use the appropriate hand tool to completely tighten the bolts or screws. Do not use power tools and do not overtighten.

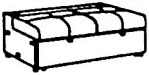

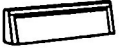



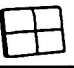






6
Save the instructions and store the Allen wrench or any supplied tool for later maintenance. After two weeks, check and tighten any loose hardware and repeat again every six months thereafter.

IT IS THE USER'S RESPONSIBILITY TO MAINTAIN THE FURNITURE. THE HARDWARE MAY LOOSEN OVER TIME AND MAY CAUSE THE FURNITURE TO BE WOBBLY AND UNABLE TO SUPPORT ITS INTENDED WEIGHT CAPACITY. THIS MAY LEAD TO COLLAPSE AND MAY CAUSE SERIOUS INJURY.

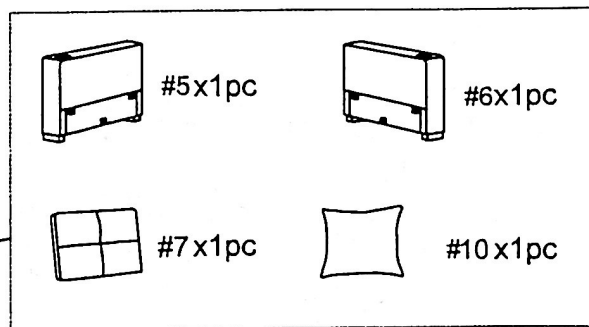
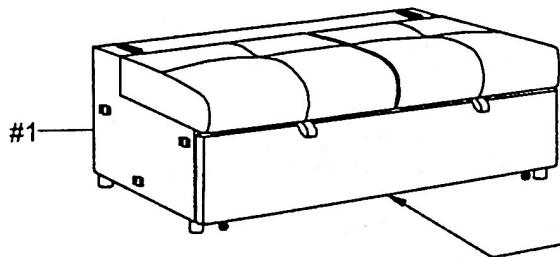
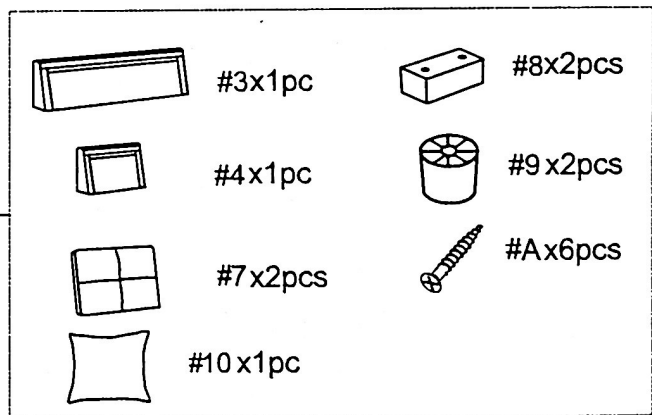
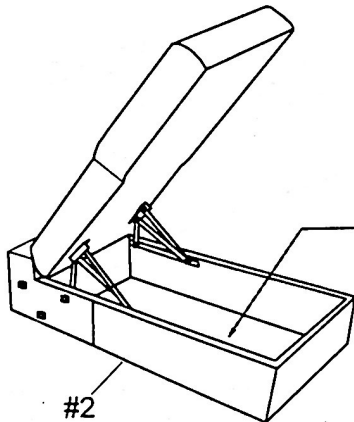


FAILURE TO FOLLOW THE GUIDELINES ABOVE MAY RESULT IN INJURY AND/OR PROPERTY DAMAGE.

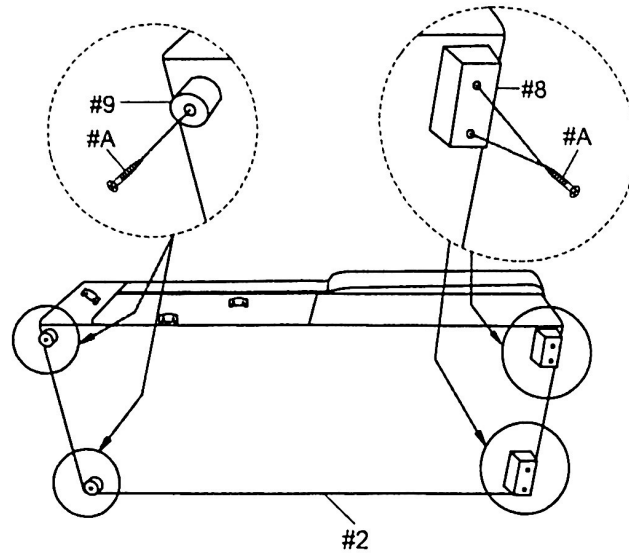
PARTS IDENTIFICATION			
NO	Shape	Specification	Quantity
#1		Loveseat	1pc
#2		Chaise Seat	1pc
#3		Loveseat Backrest	1pc
#4		Chaise Backrest	1pc
#5		Left Armrest	1pc
#6		Right Armrest	1pc
#7		Back Cushion	3pcs
#8		Leg	2pcs
#9		Leg	2pcs
#10		Throw Pillow	2pcs

HARDWARE LIST			
NO	Shape	Specification	Quantity
#A		Screw	6pcs

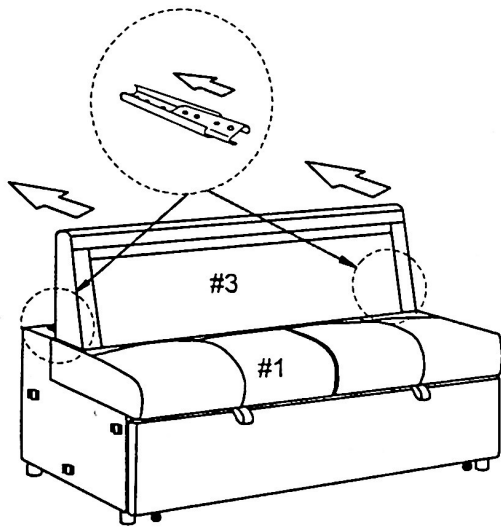
STEP 1



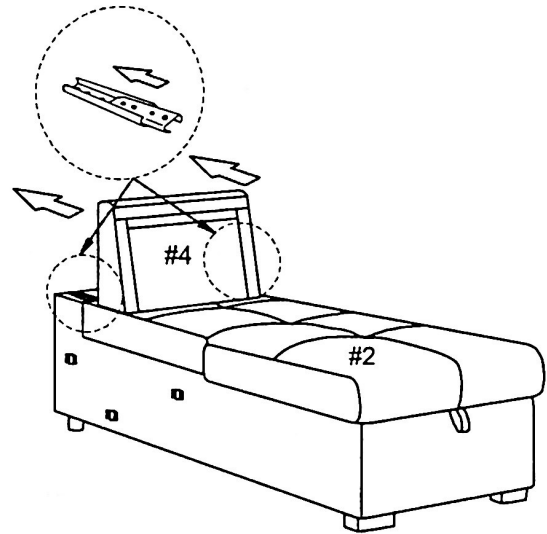
STEP 2



STEP 3

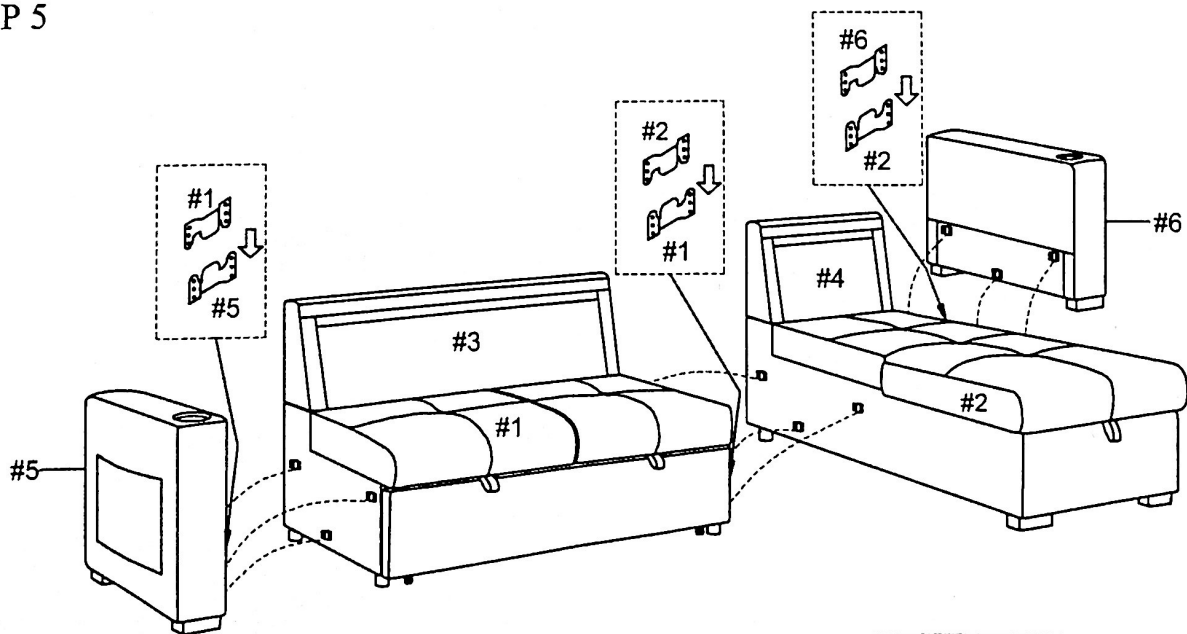


STEP 4

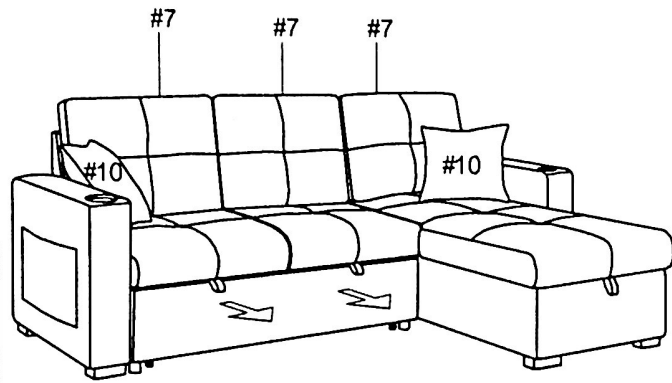


OPTION 1 (CHAISE RIGHT FACING)

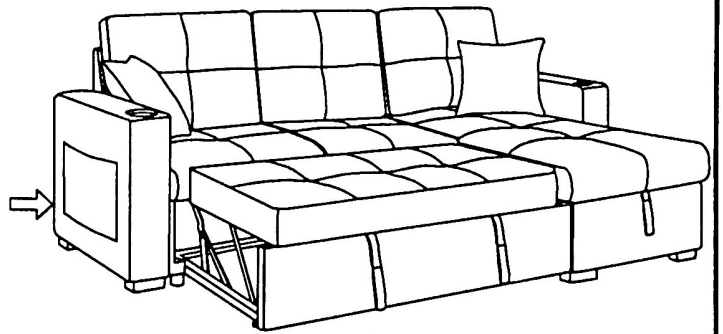
STEP 5



STEP 6



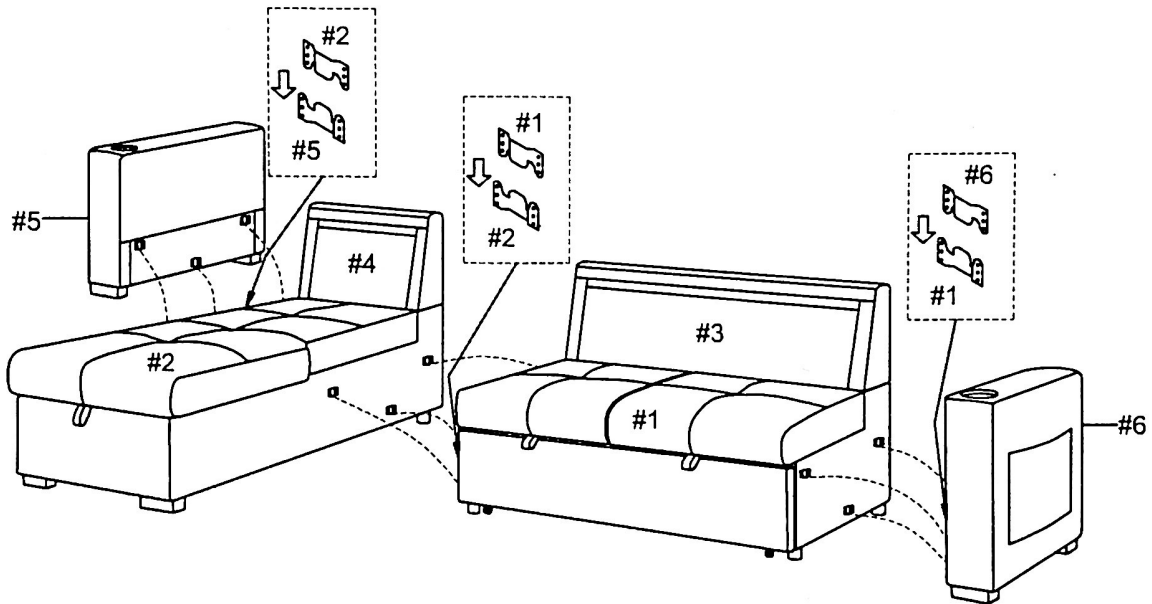
STEP 7



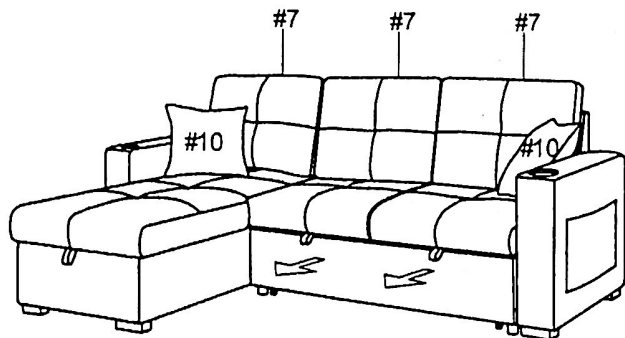
To use the sofa bed, please pull up the cord

OPTION 2 (CHAISE LEFT FACING)

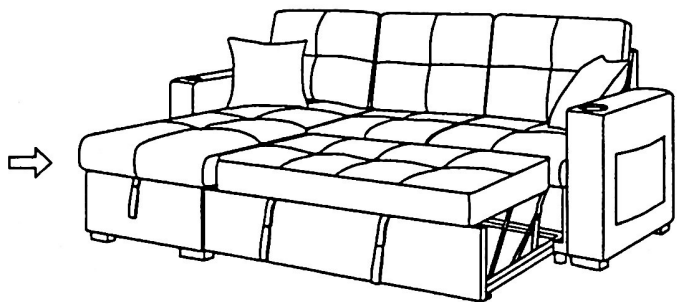
STEP 5



STEP 6



STEP 7



To use the sofa bed, please pull up the cord