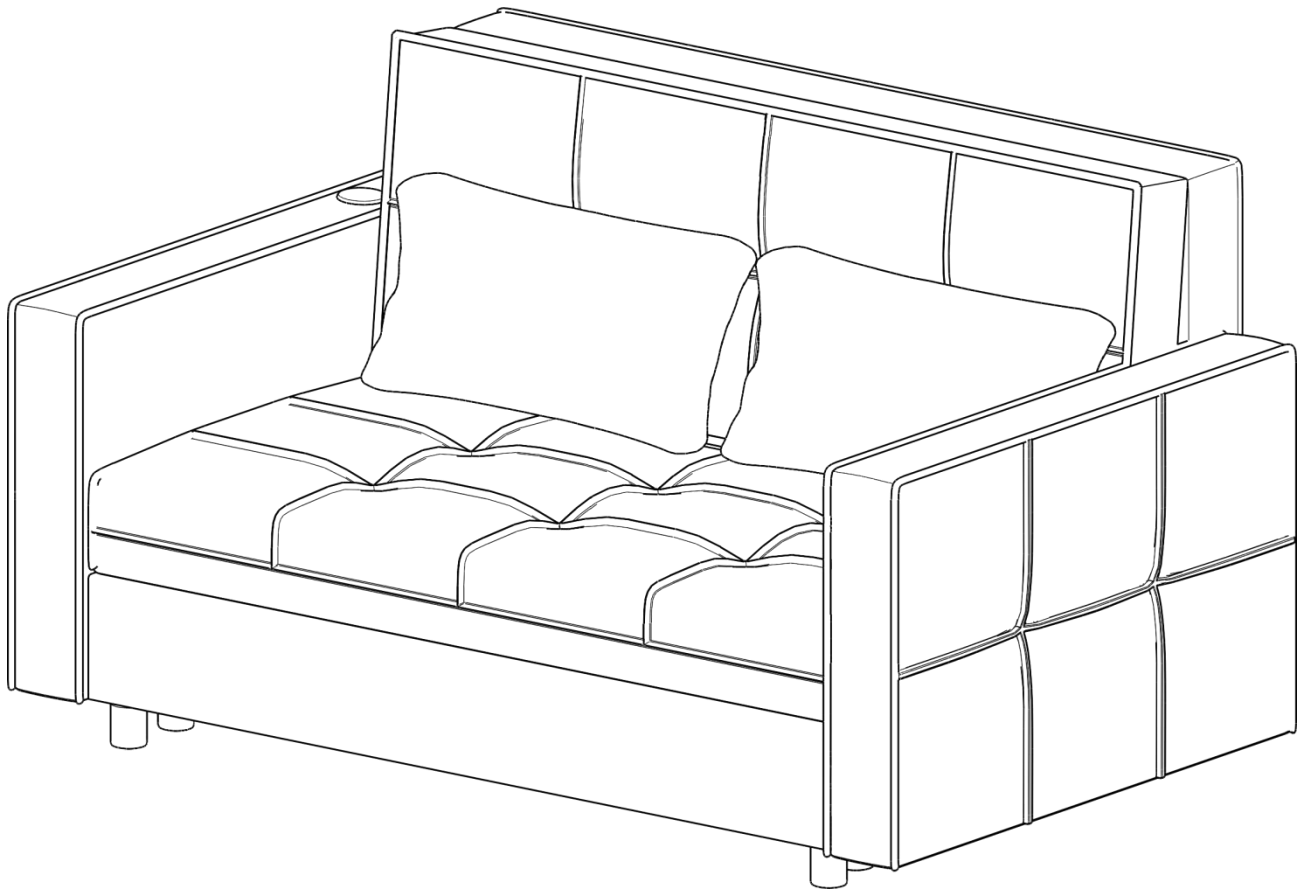
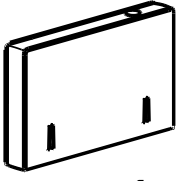
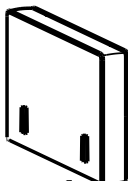
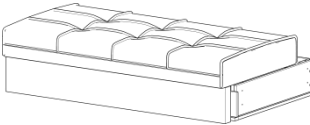





HS424B



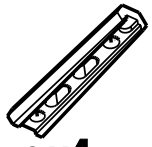
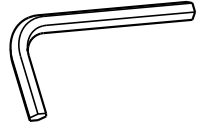
Assembly Instruction

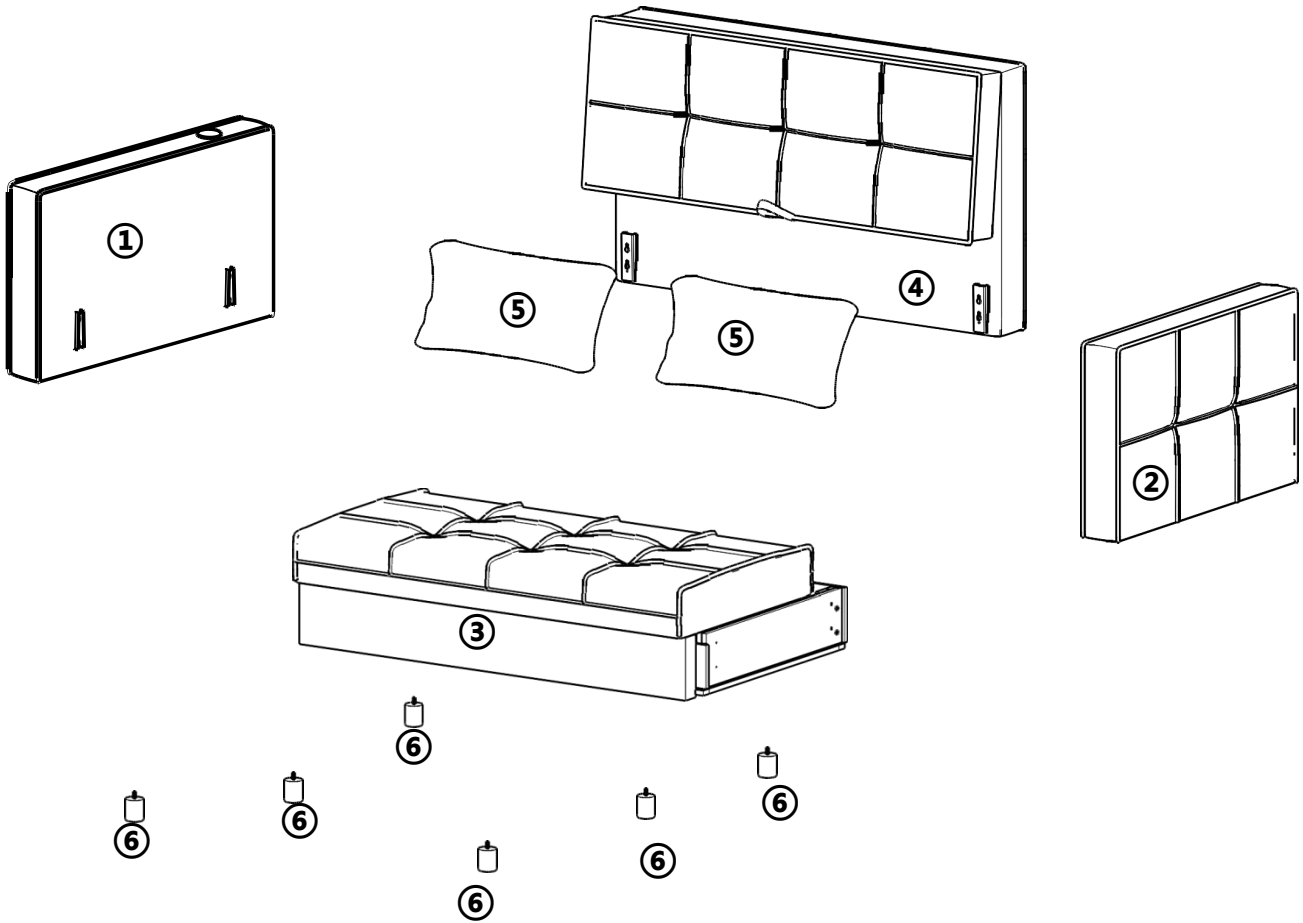


Parts List

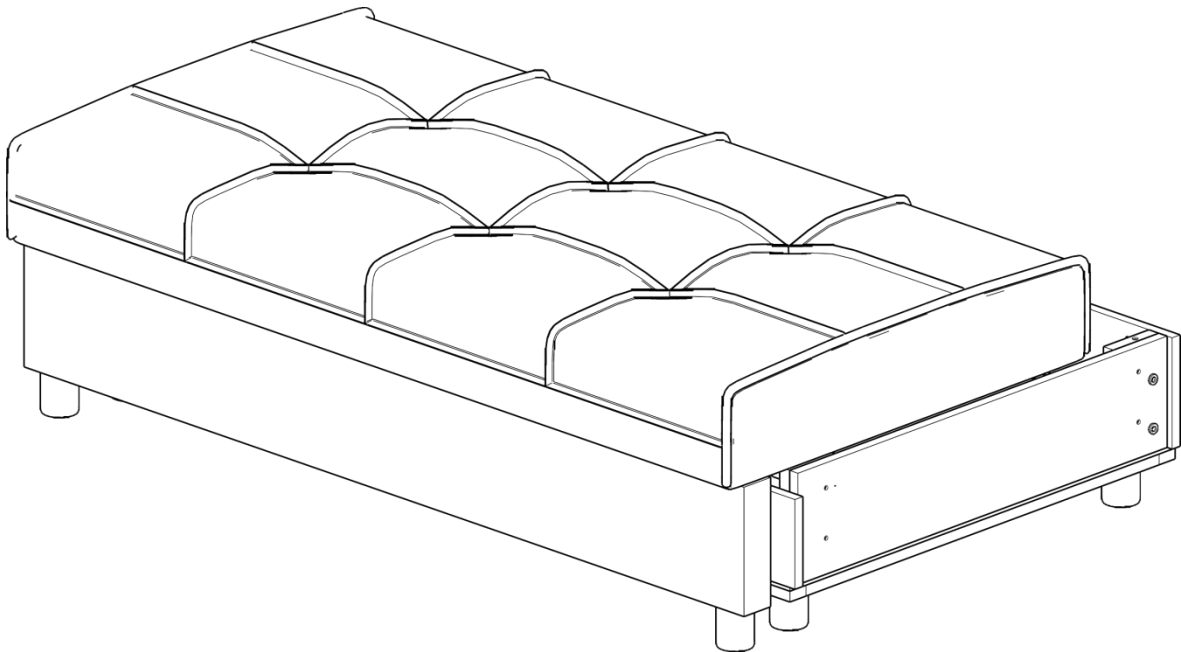
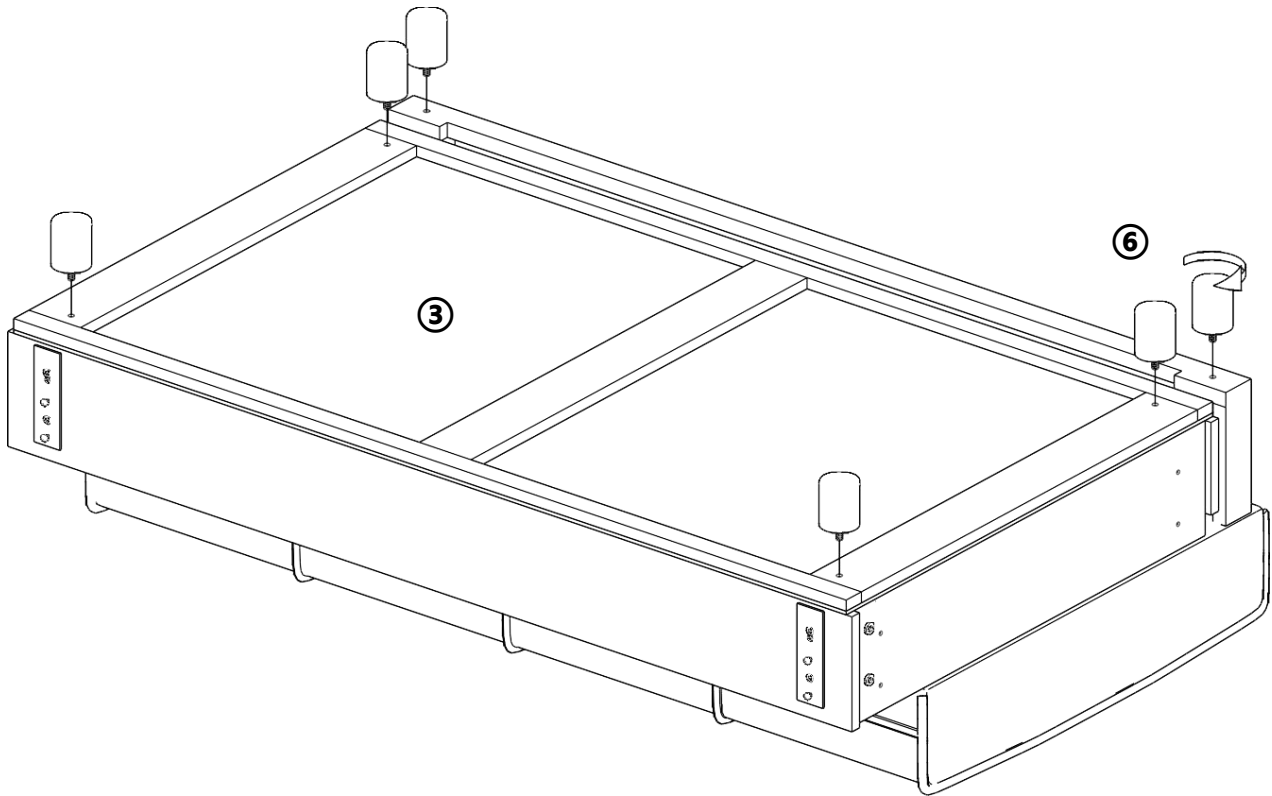
 ① x1	 ② x1	 ③ x1	 ④ x1
 ⑤ x2	 ⑥ x6		

Hardware List




 A (M6*20MM) x2	 B(M6*20MM) x8	 C x4	 D x1
---	--	--	---

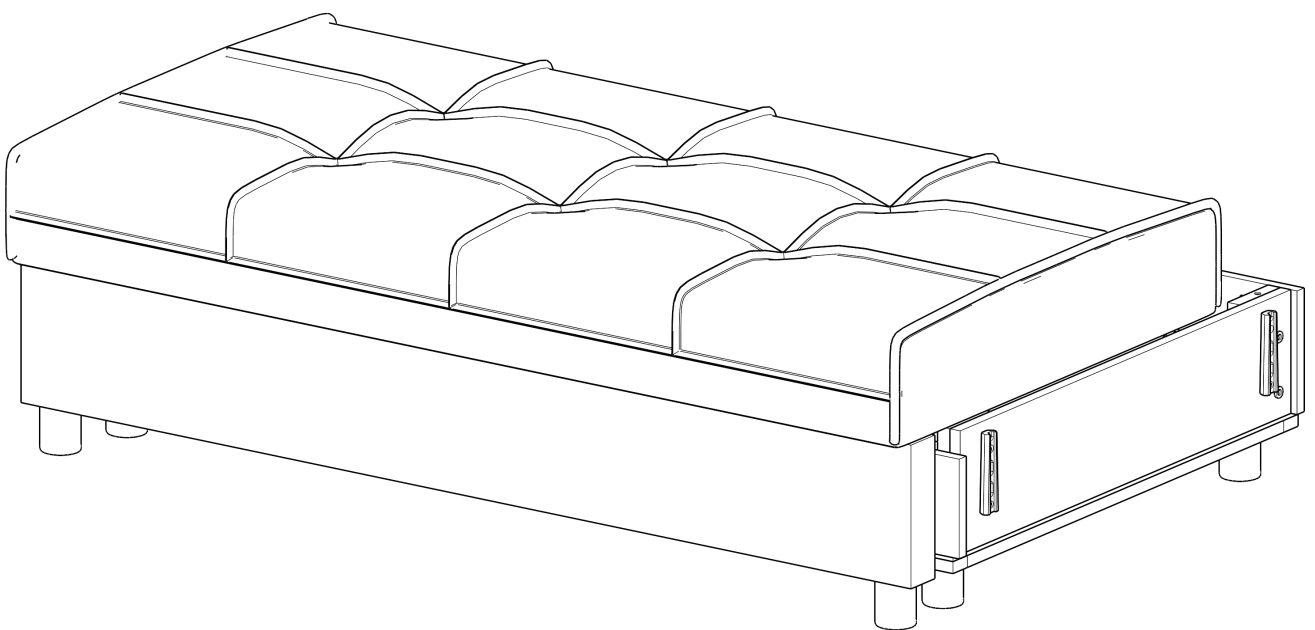
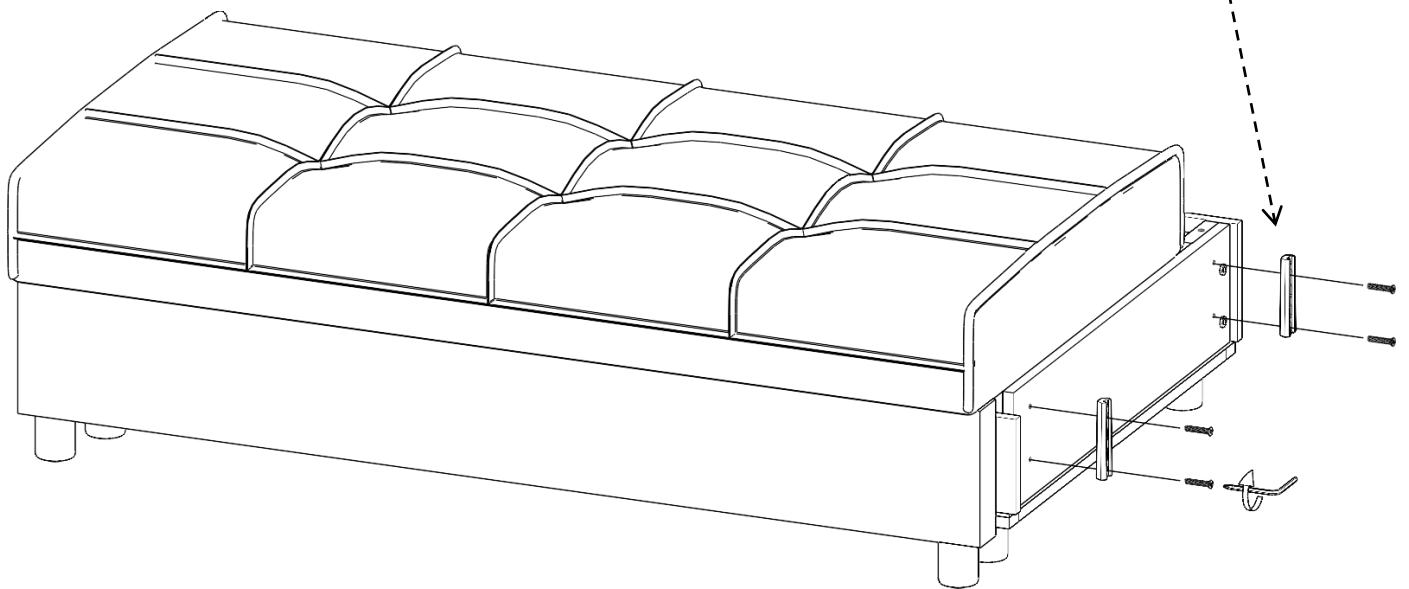
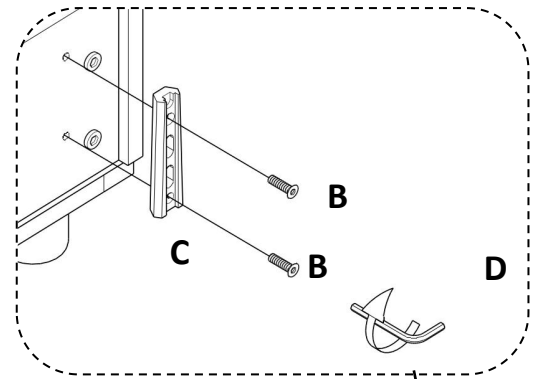


STEP 1






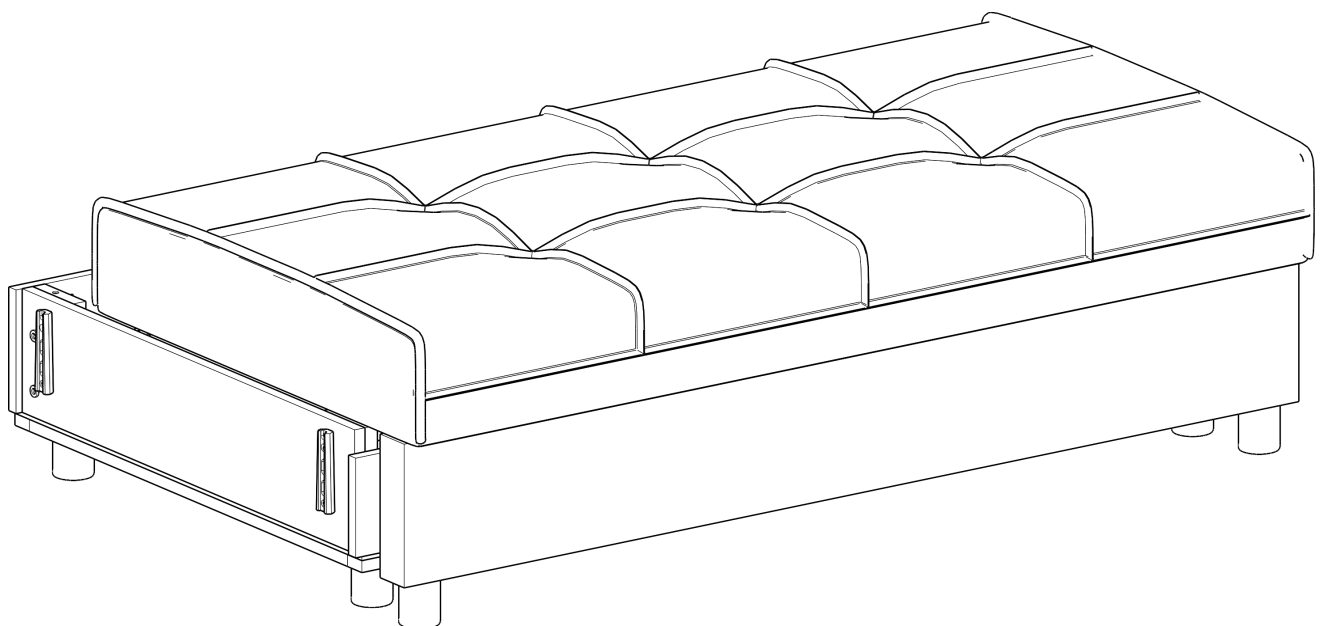
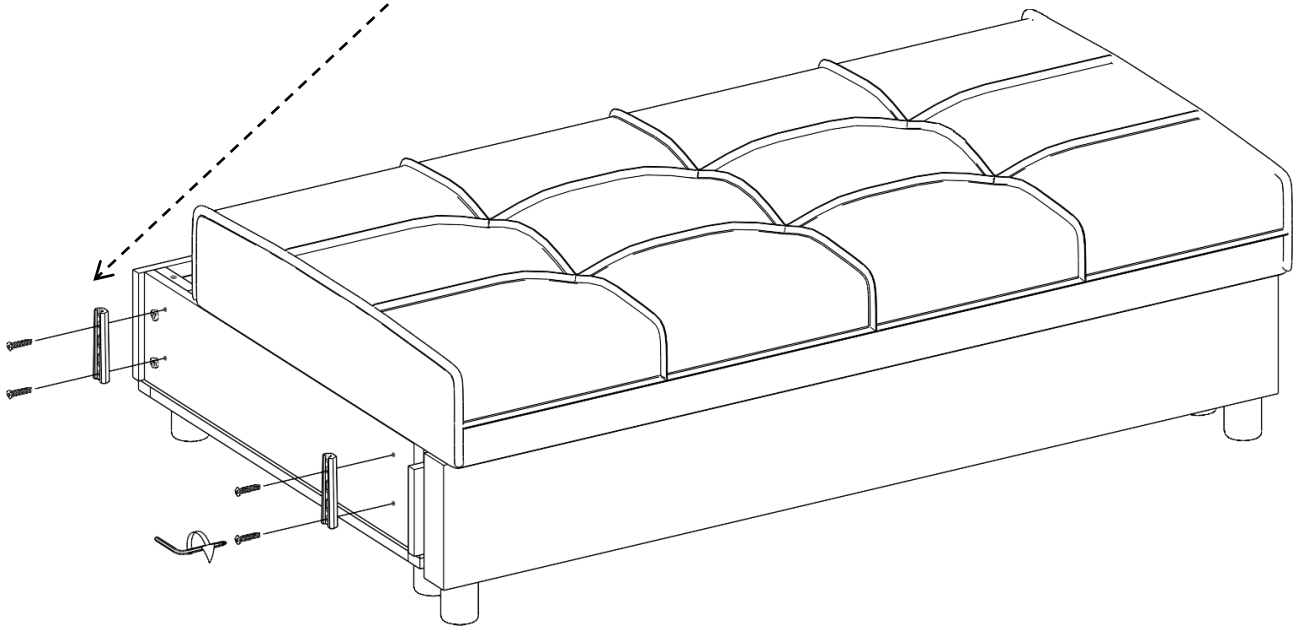
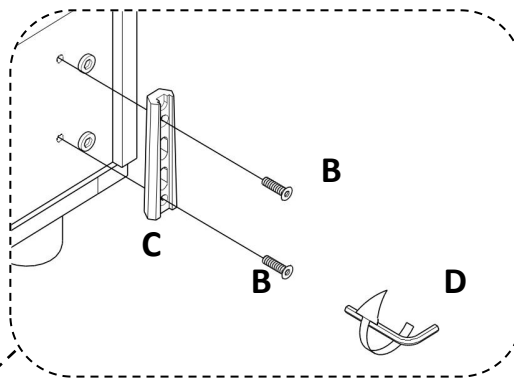
STEP 2

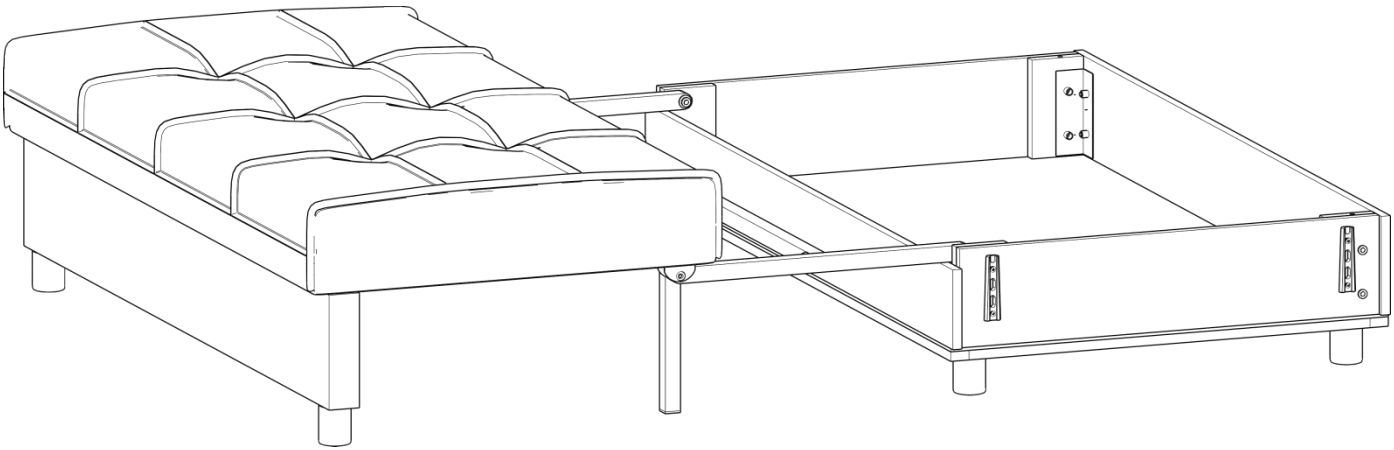
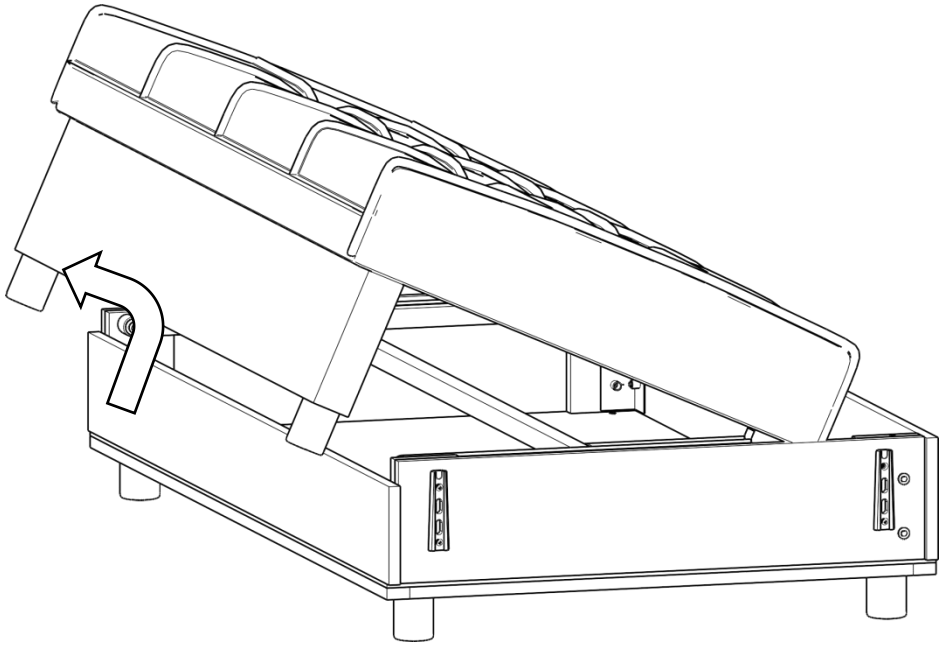
B		4PCS
C		2PCS
D		1PCS



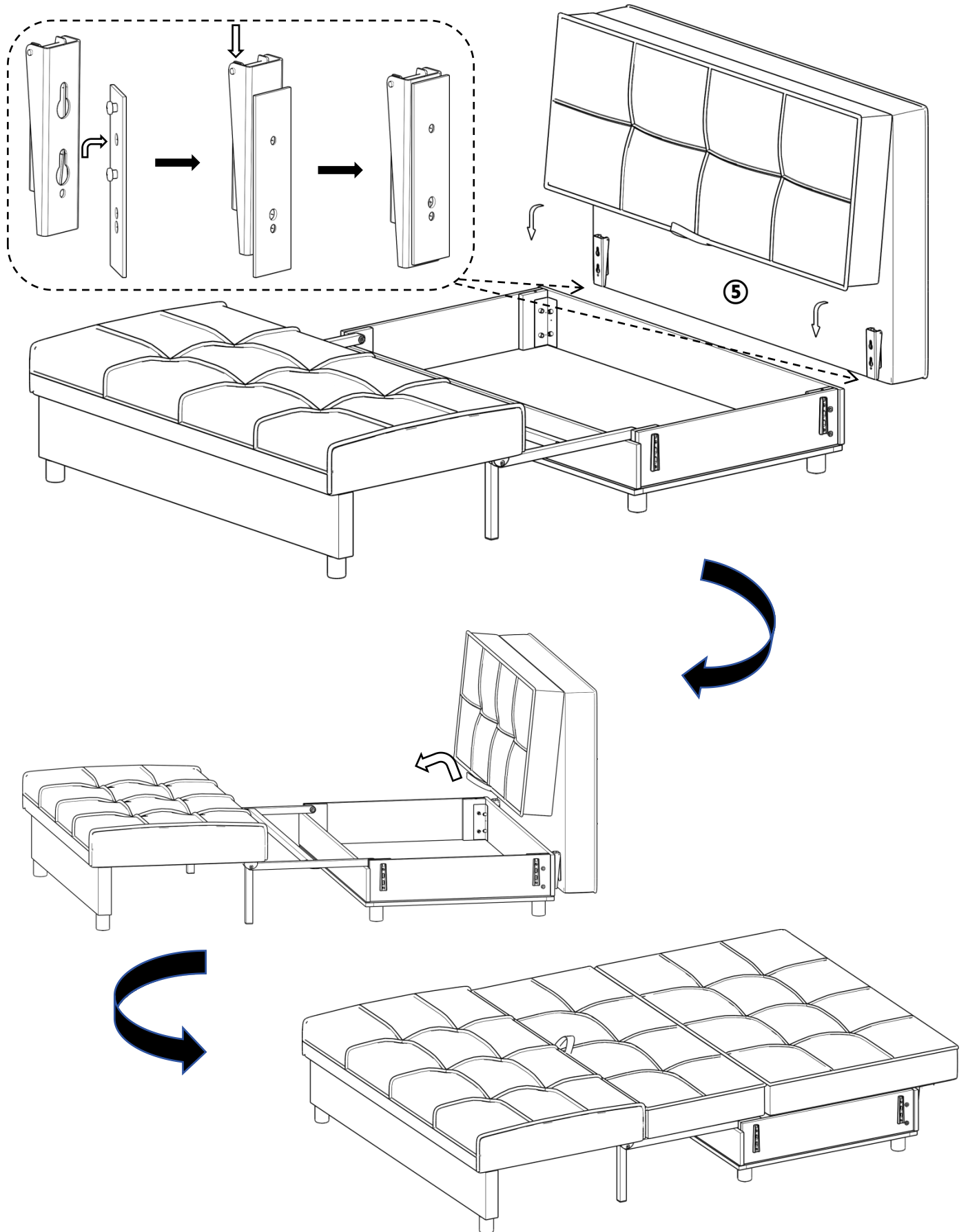
STEP 3

B		4PCS
C		2PCS
D		1PCS

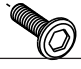



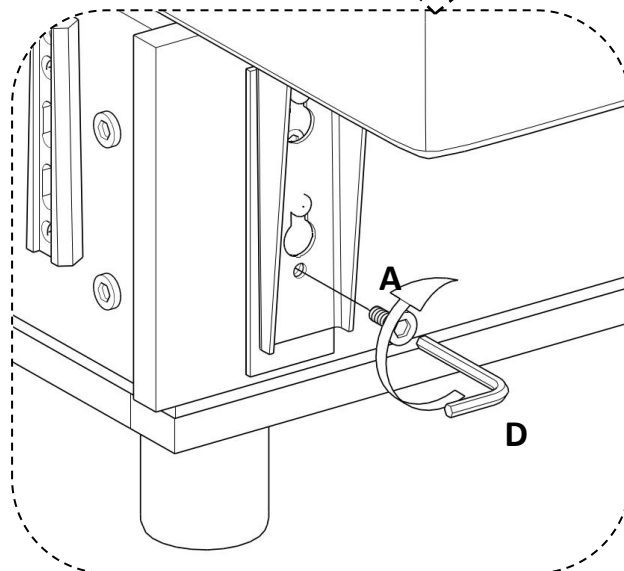
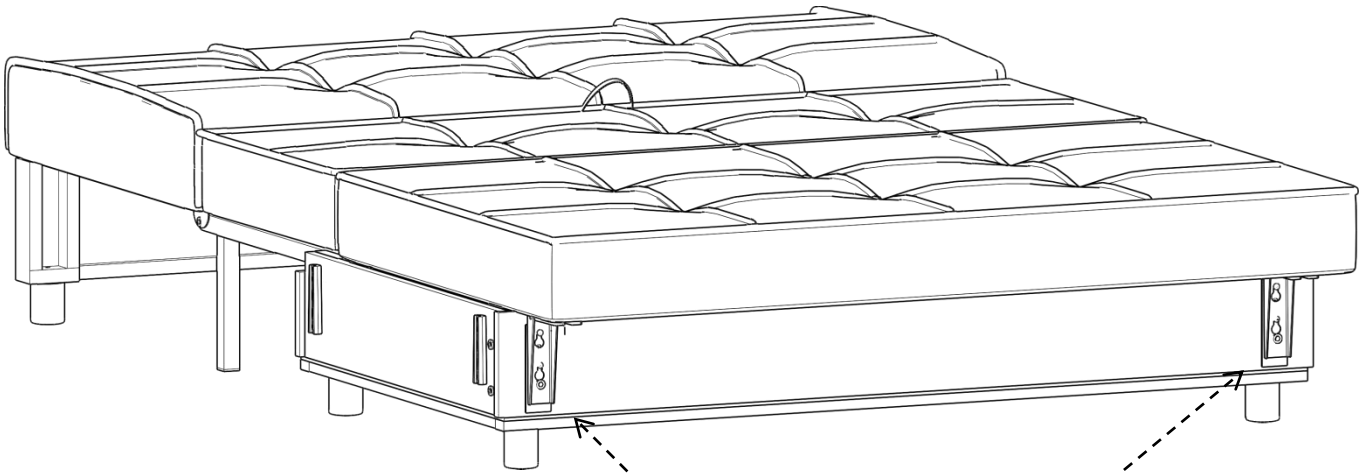


STEP 4

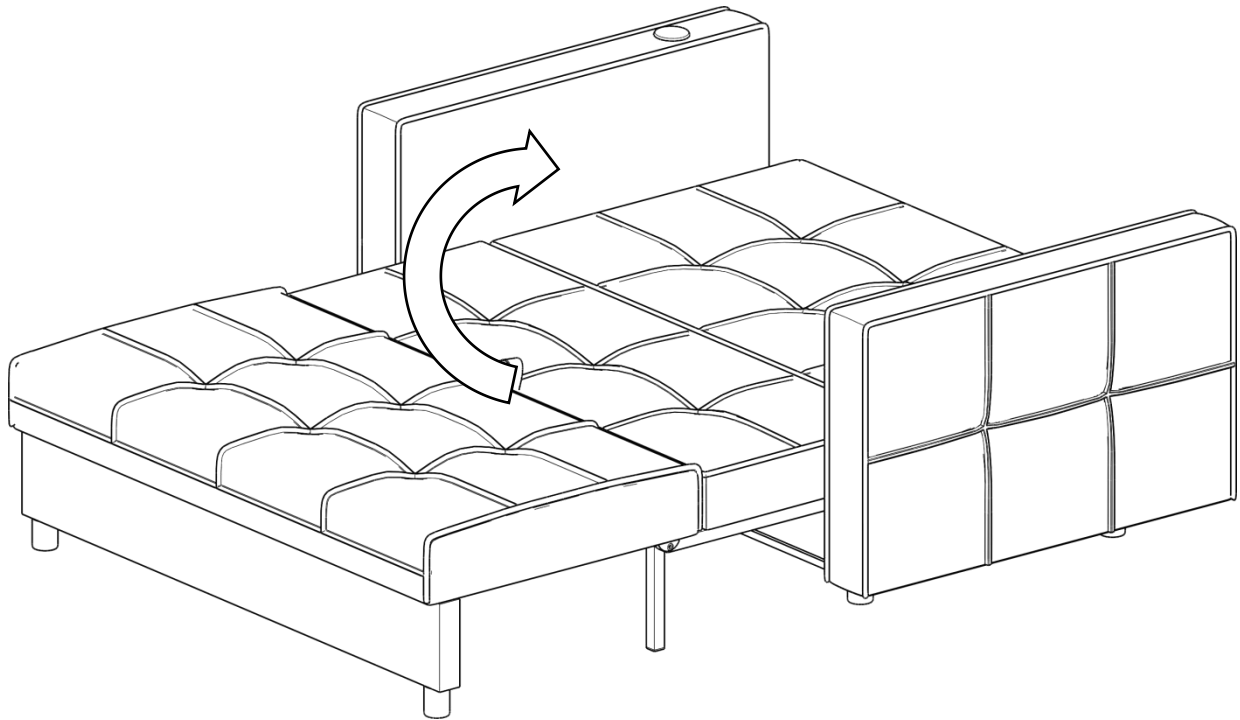
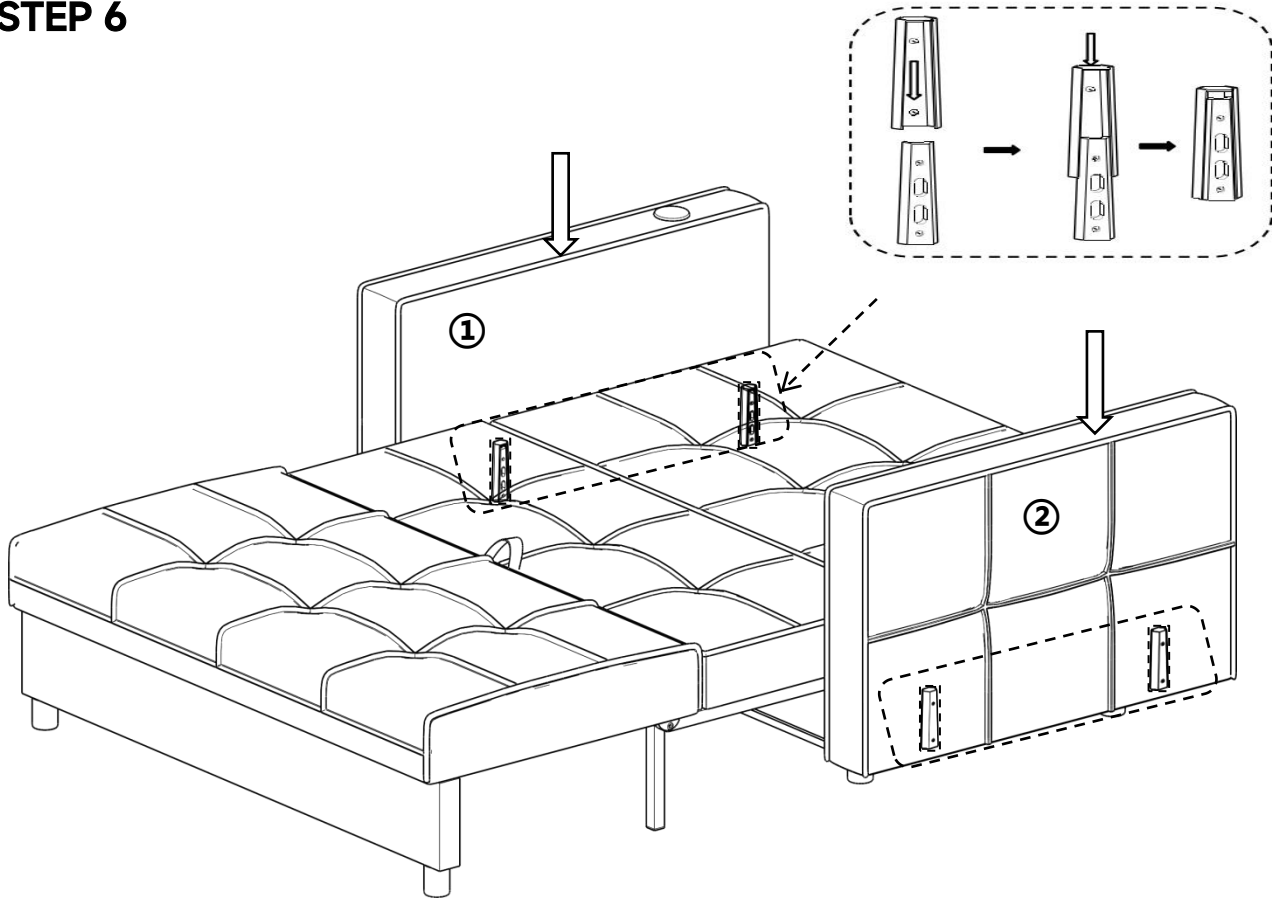


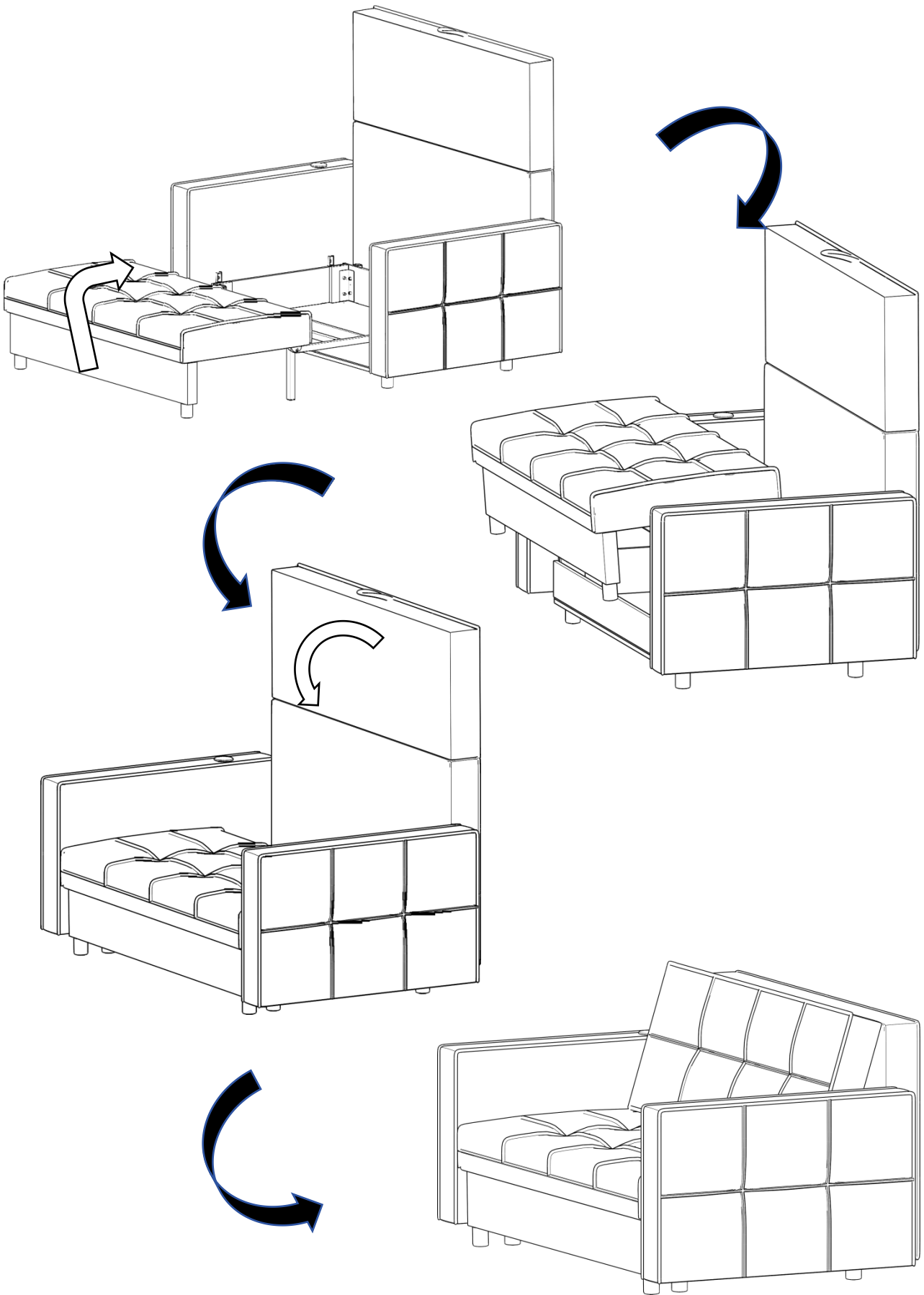
STEP 5

A		2PCS
D		1PCS



STEP 6





STEP 6

