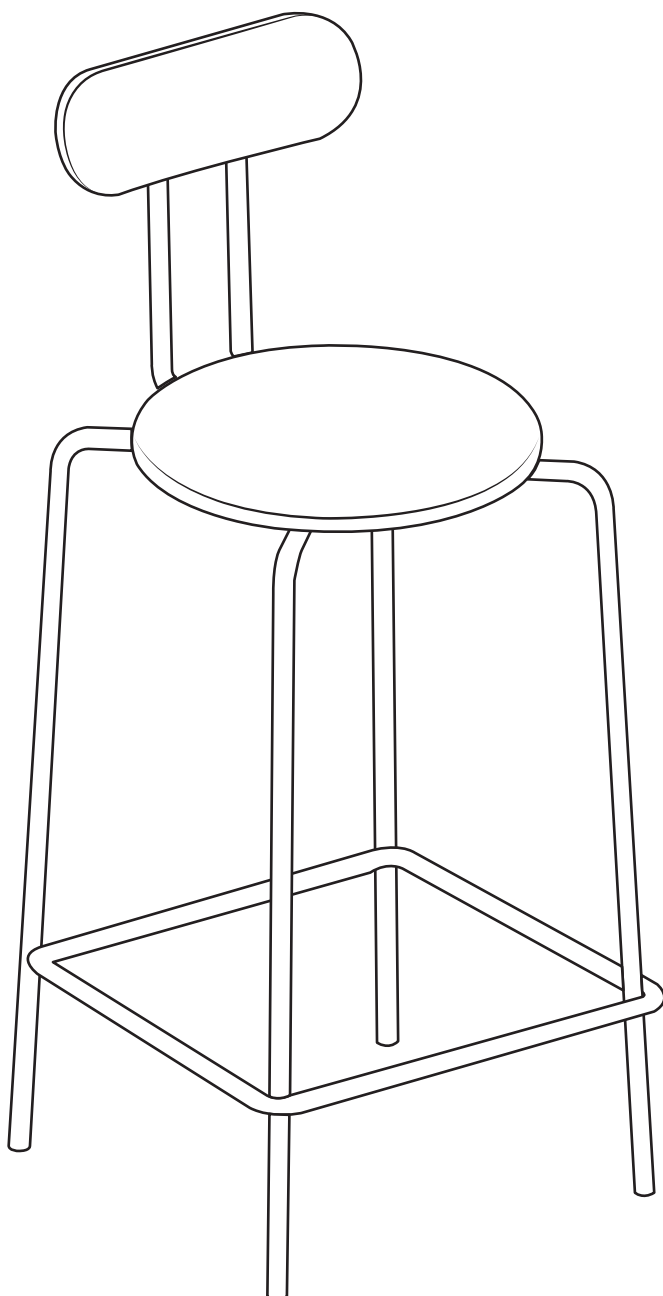
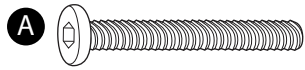


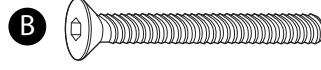
LYDIA III BAR SET-BARSTOOL



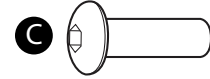
Fittings



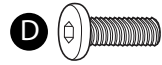
M6 x 32mm Bolt x 5



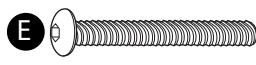
M6 x 28mm Bolt x 6



Nut x 6



M6 x 15mm Bolt x 2



M6 x 22mm Bolt x 4



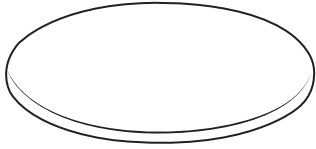
Allen Key x 1



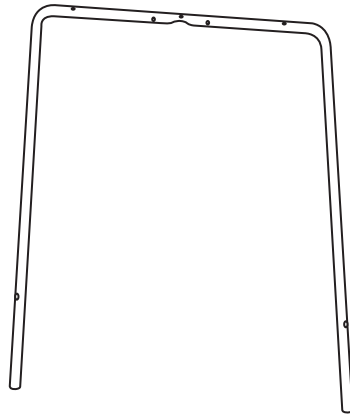
Allen Key x 1

Part Number

①



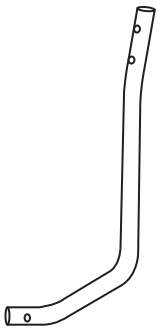
②



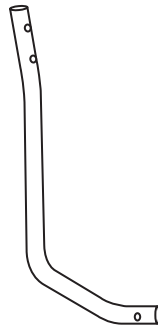
③



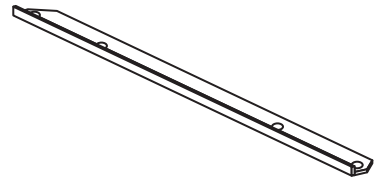
④



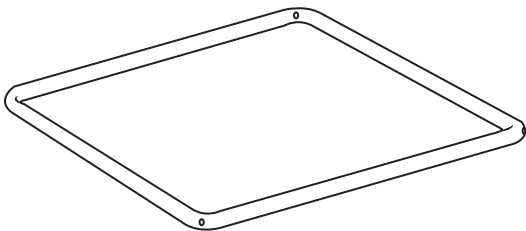
⑤



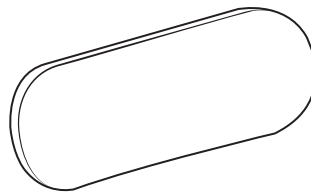
⑥



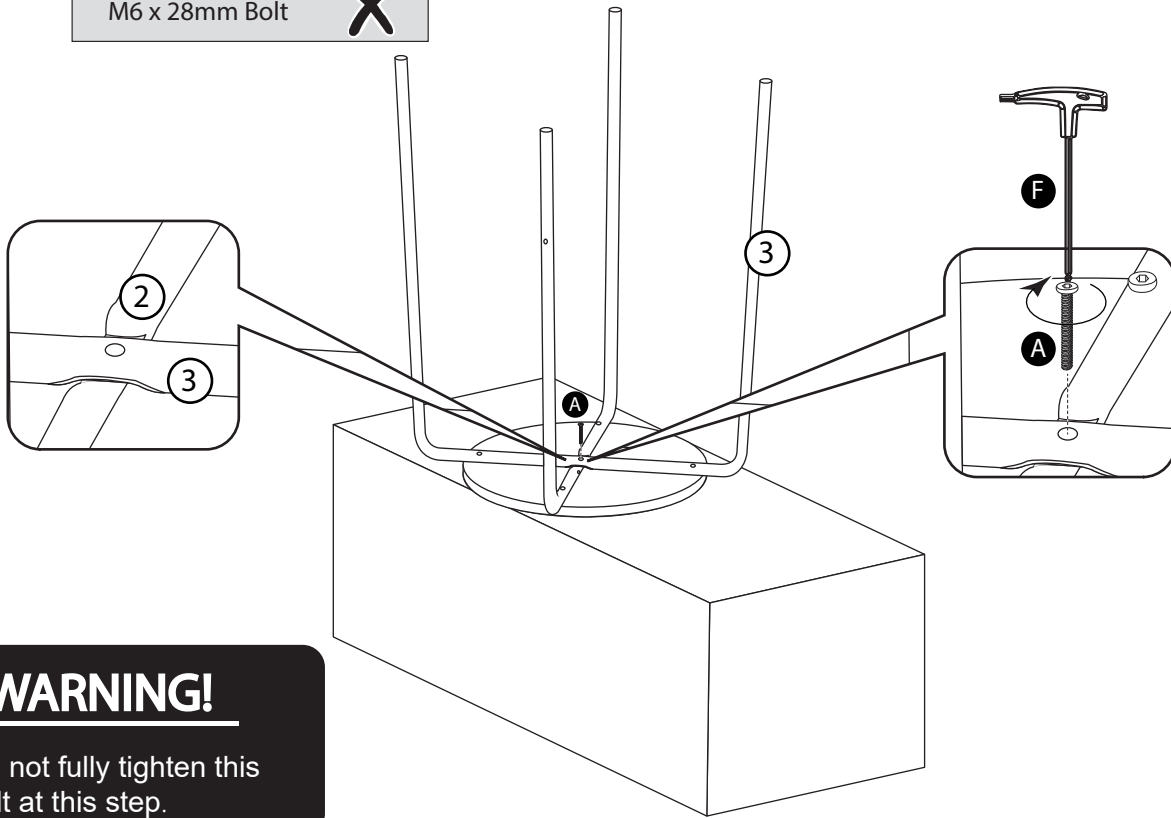
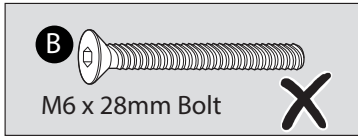
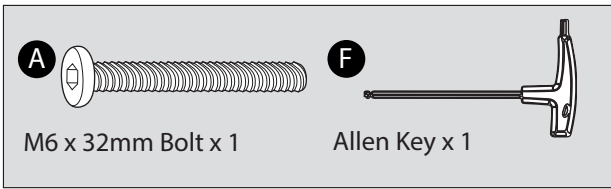
⑦



⑧

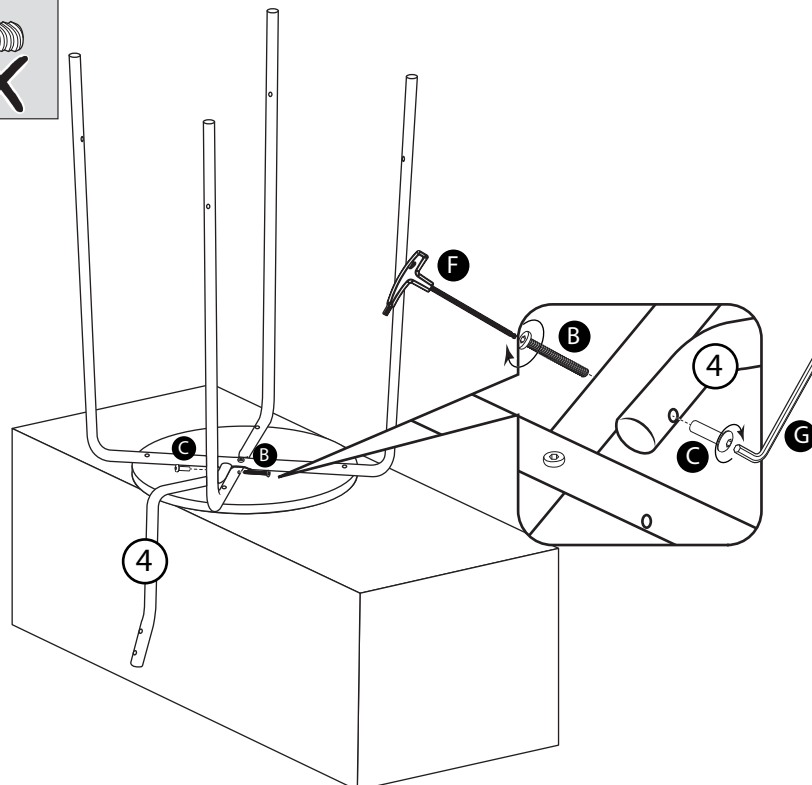
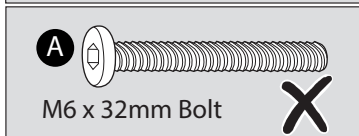
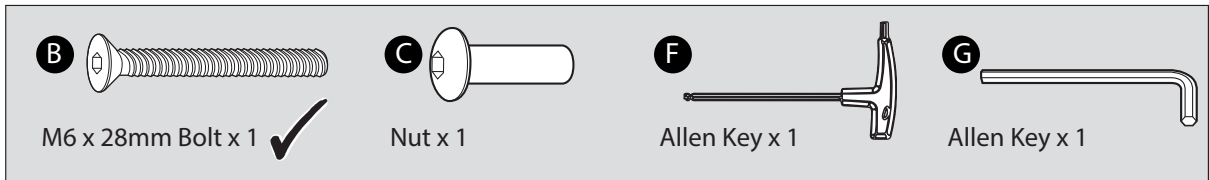


1

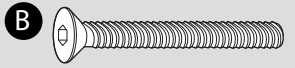


WARNING!
Do not fully tighten this bolt at this step.

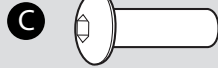
2



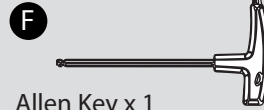
3



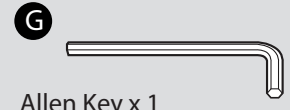
M6 x 28mm Bolt x 1



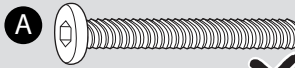
Nut x 1



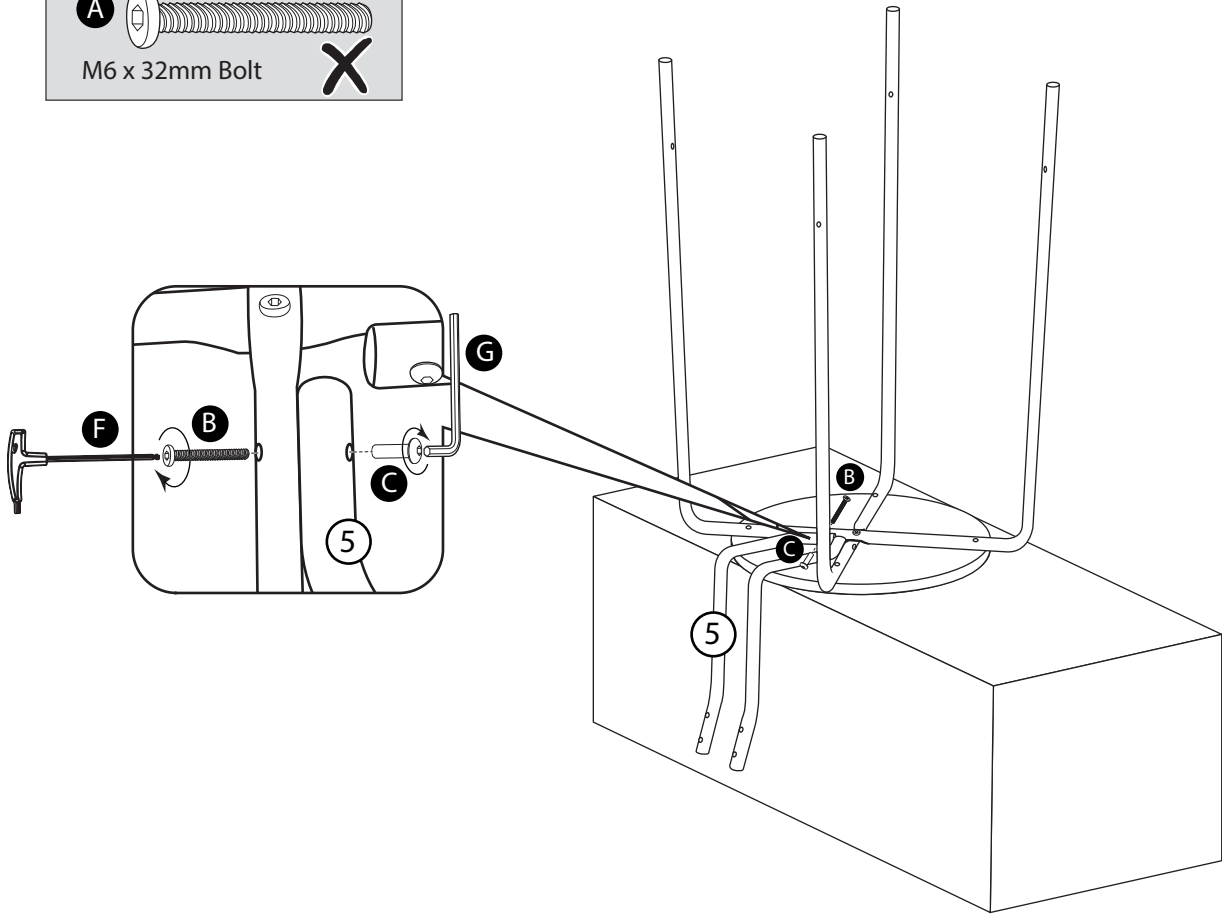
Allen Key x 1



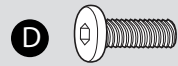
Allen Key x 1



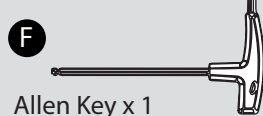
M6 x 32mm Bolt



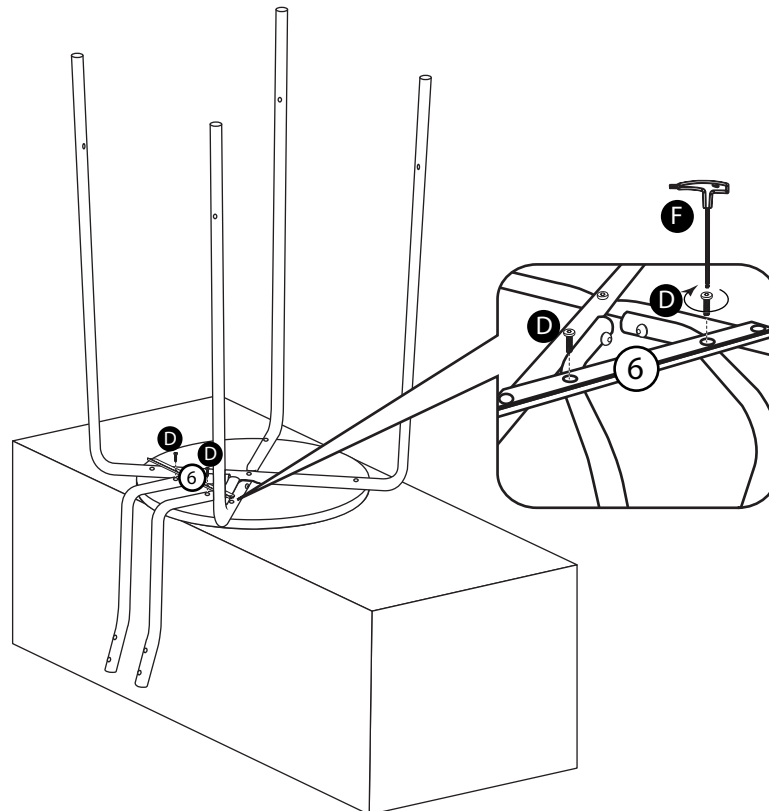
4



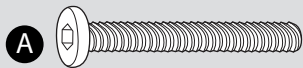
M6 x 15mm Bolt x 2



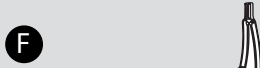
Allen Key x 1



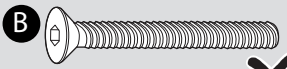
5



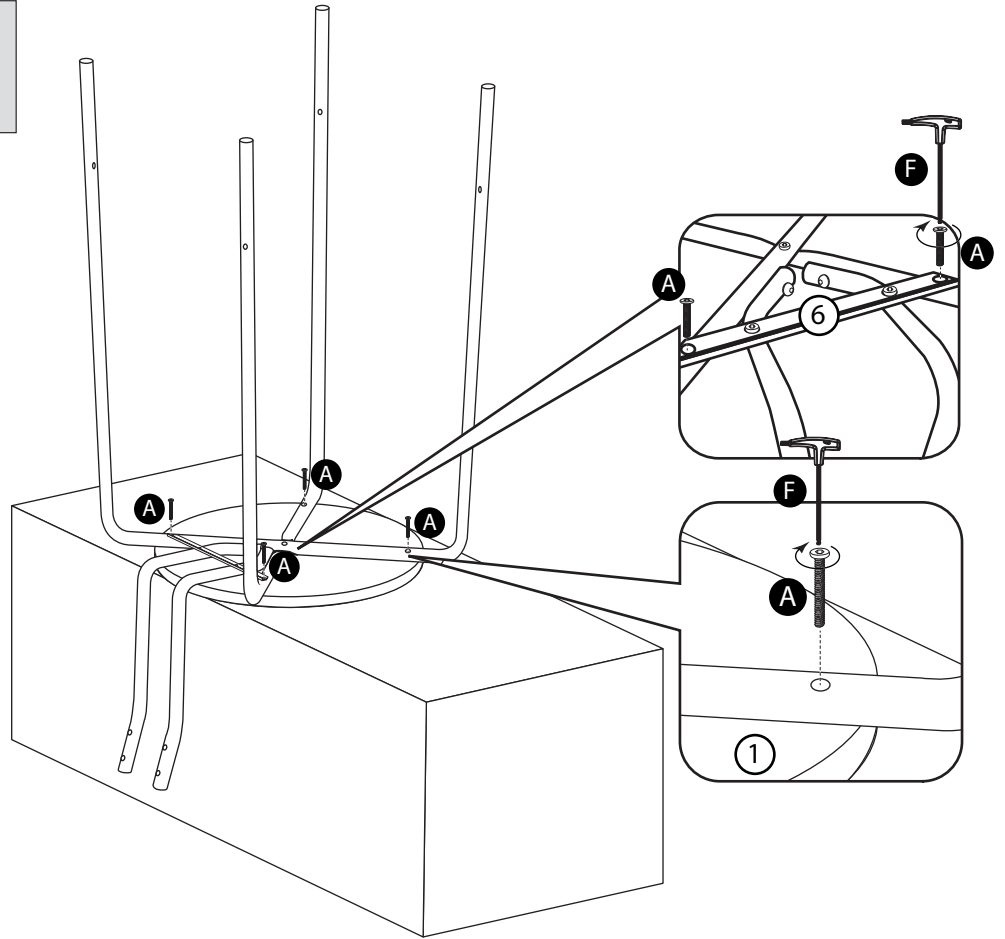
M6 x 32mm Bolt x 4 ✓



Allen Key x 1



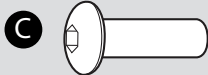
M6 x 28mm Bolt ✗



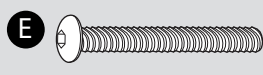
WARNING!

Fully tighten all the bolts at this step include step 1.

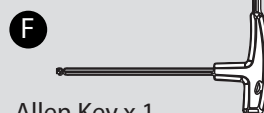
6



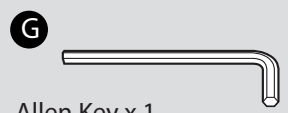
Nut x 4



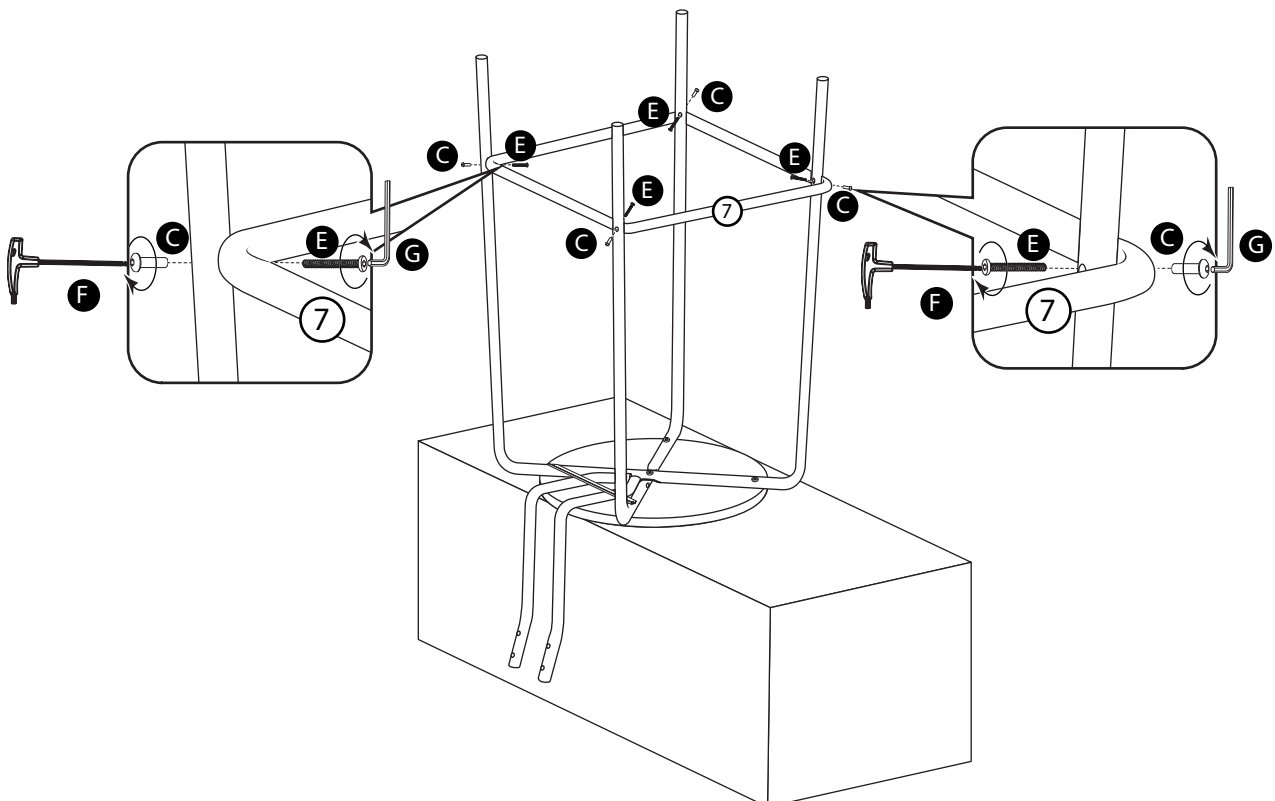
M6 x 22mm Bolt x 4



Allen Key x 1

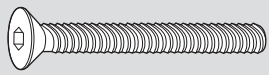


Allen Key x 1



7

B

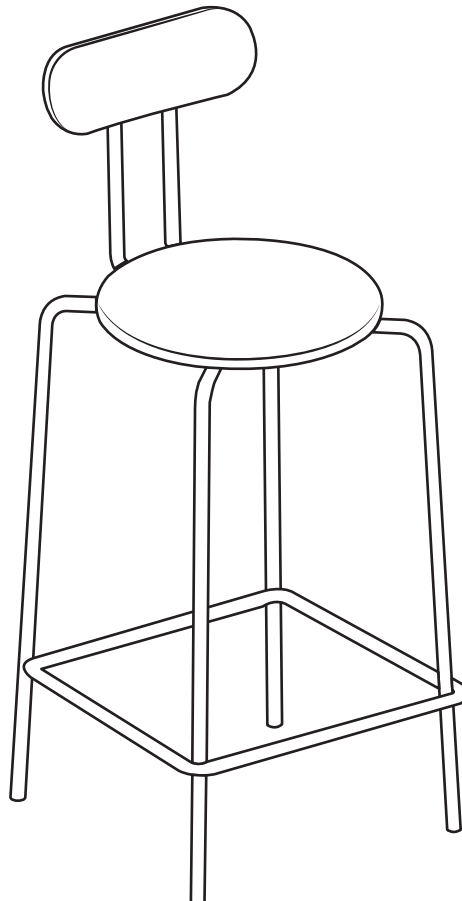
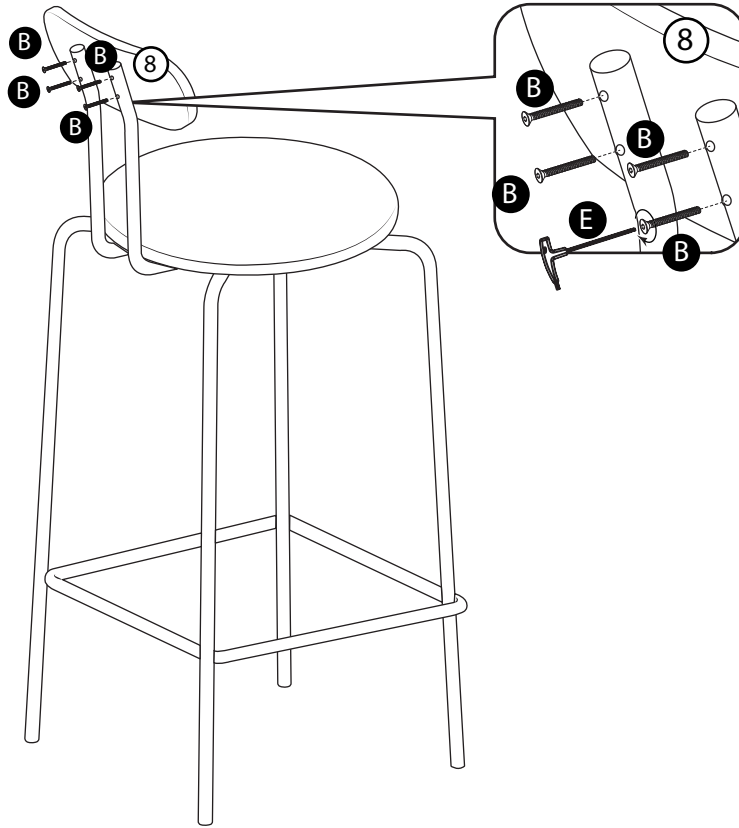


M6 x 28mm Bolt x 4

E



Allen Key x 1



Assembly complete.