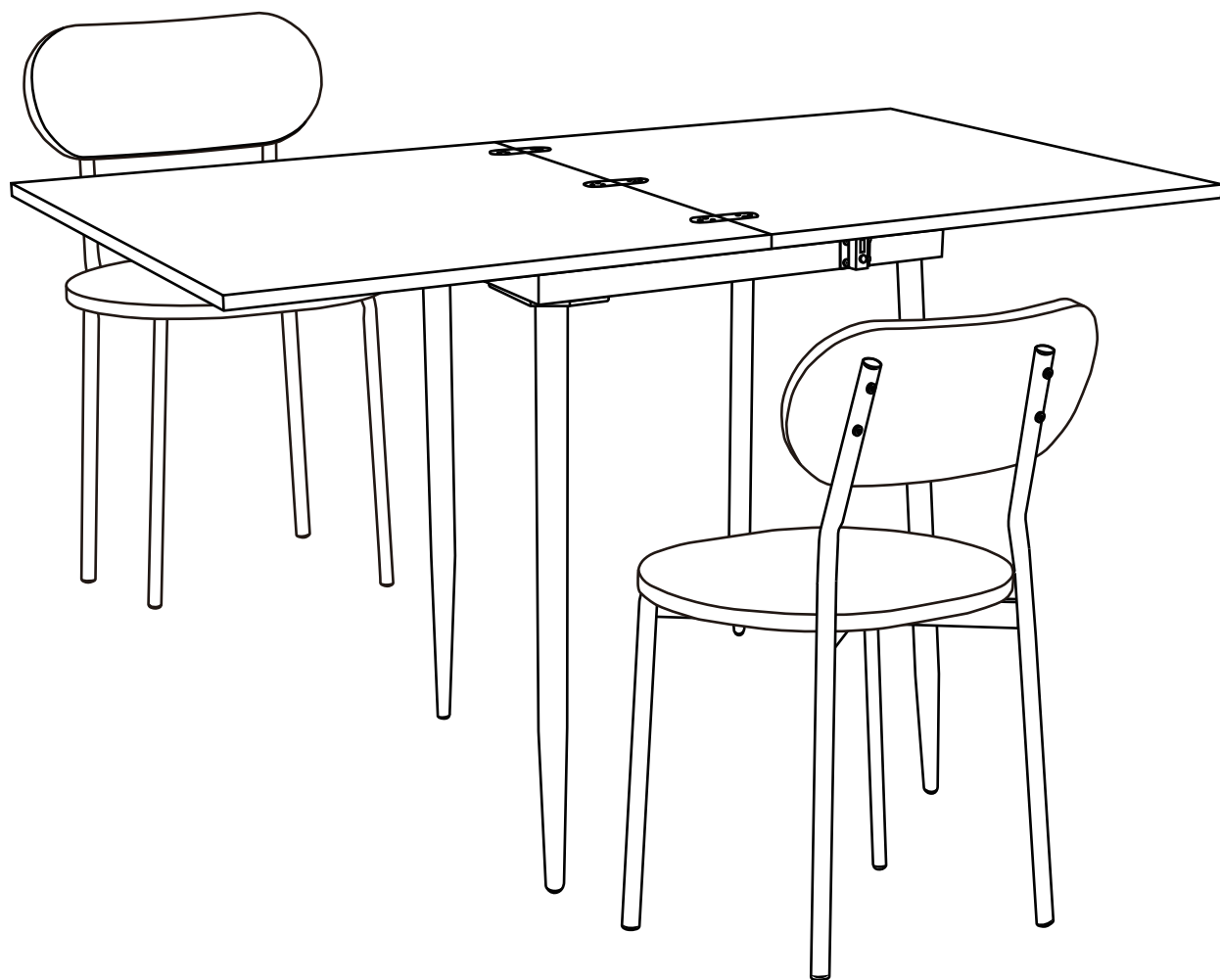
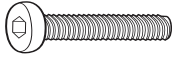


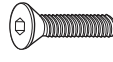
Jennie table and 2 chairs



Fittings



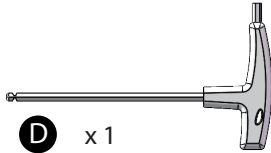
A Bolt M6X40mm x 8



B Bolt M6X28mm x 8



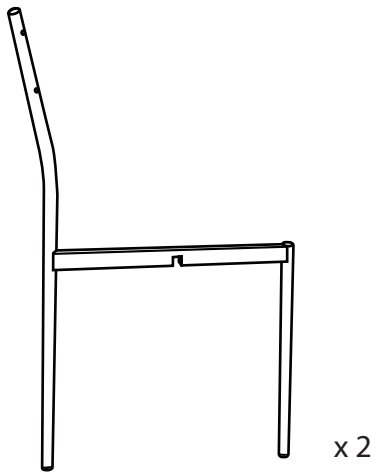
C Bolt M6X12mm x16



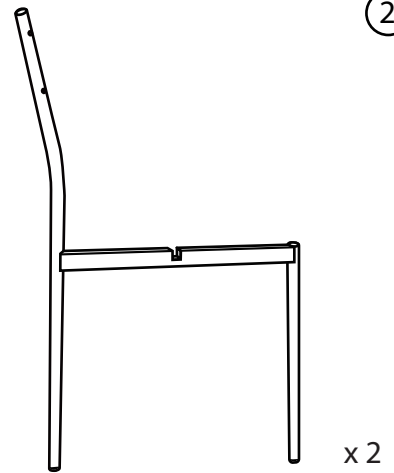
D x 1

Part Number

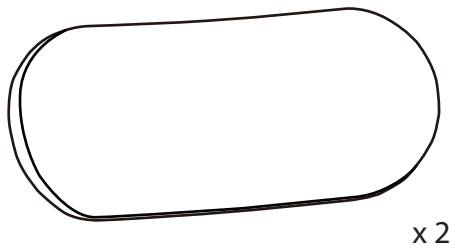
①



②



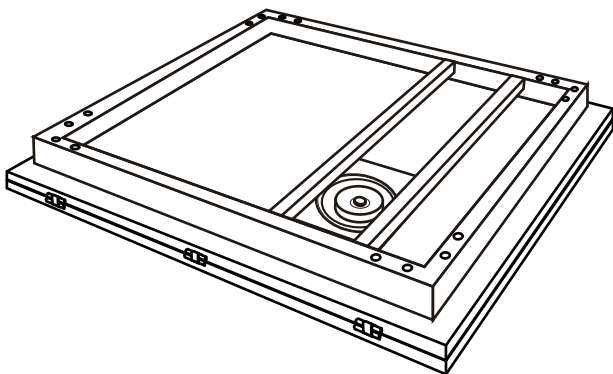
③



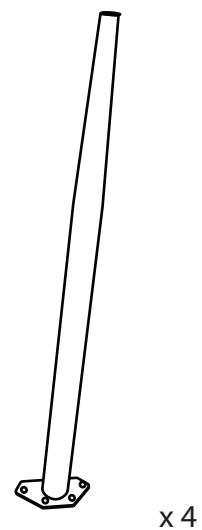
④



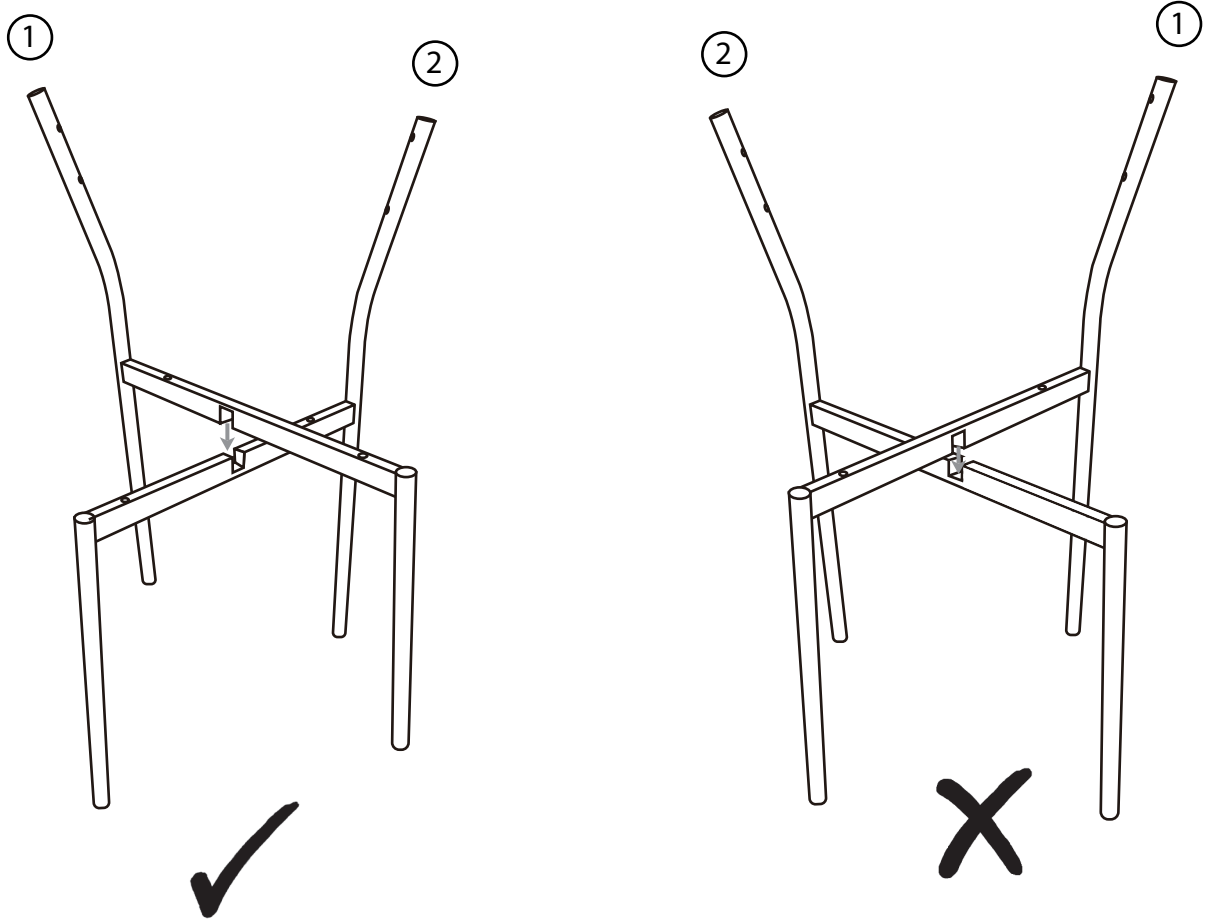
⑤



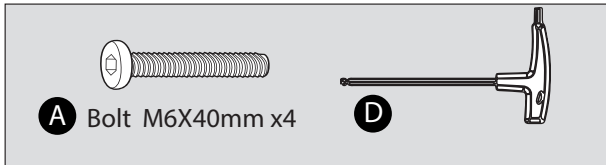
⑥



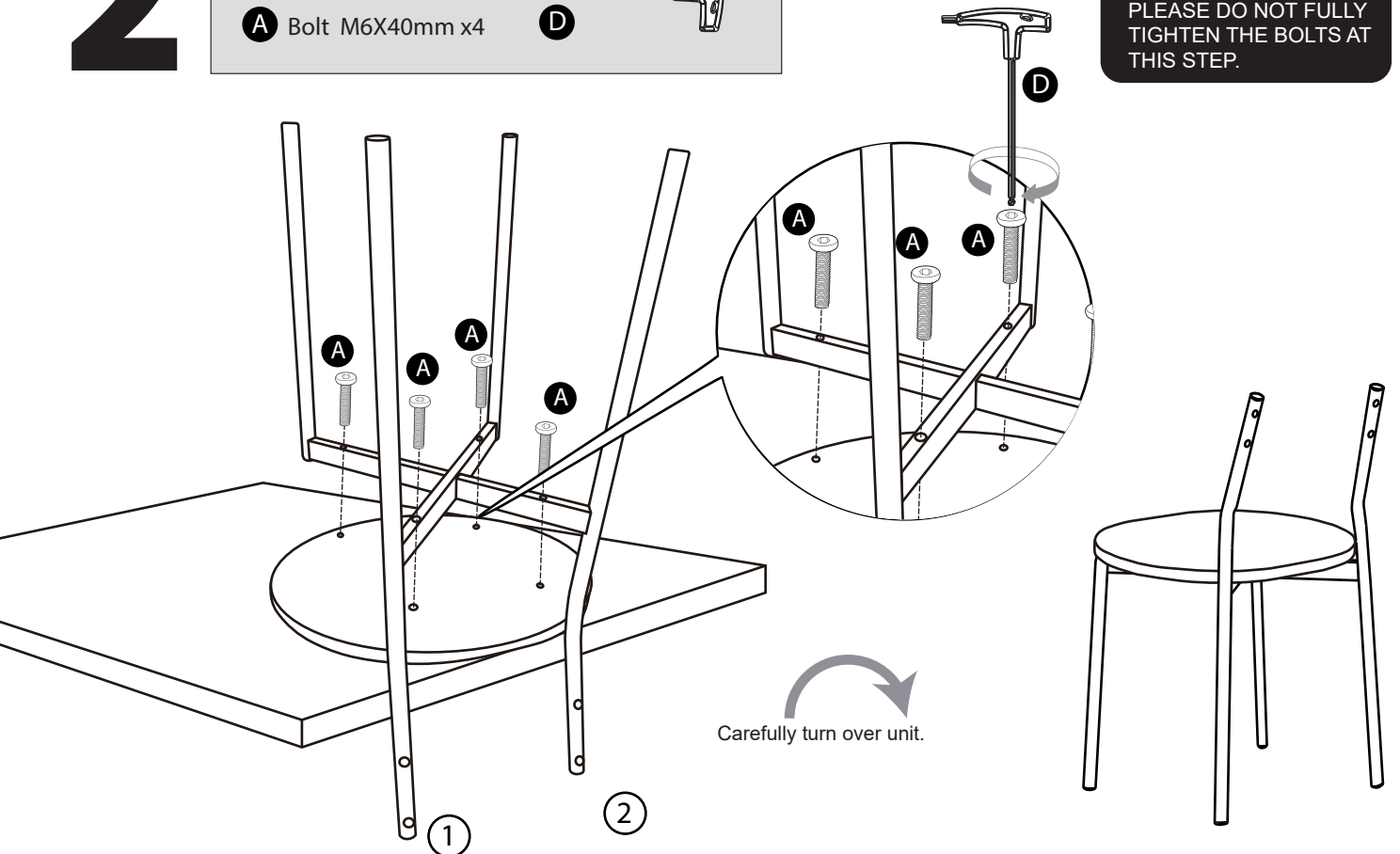
1



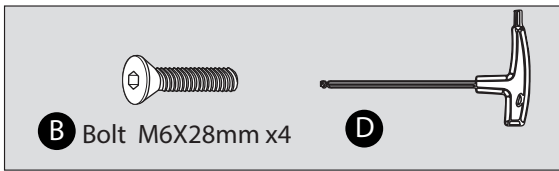
2



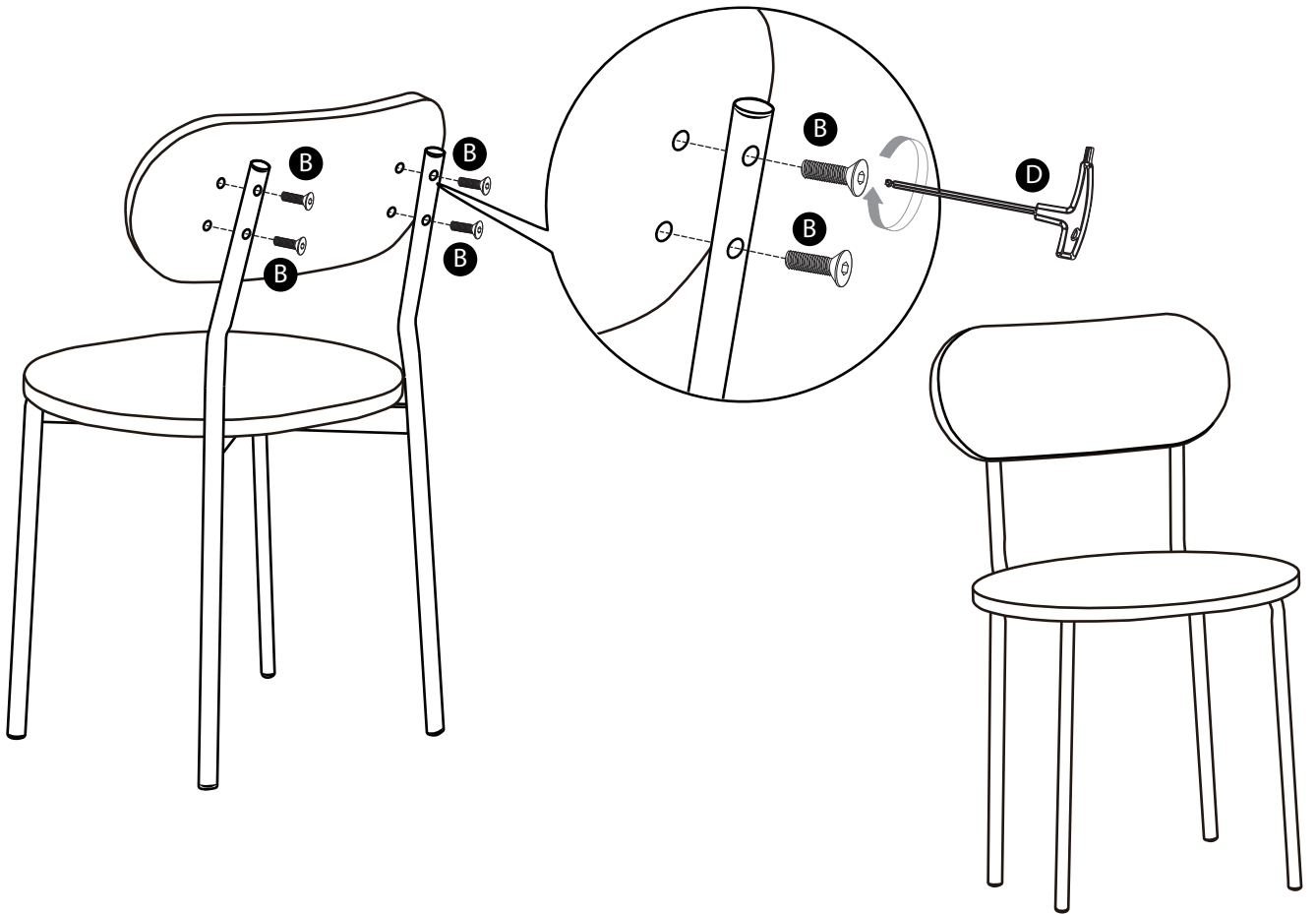
WARNING!
PLEASE DO NOT FULLY
TIGHTEN THE BOLTS AT
THIS STEP.



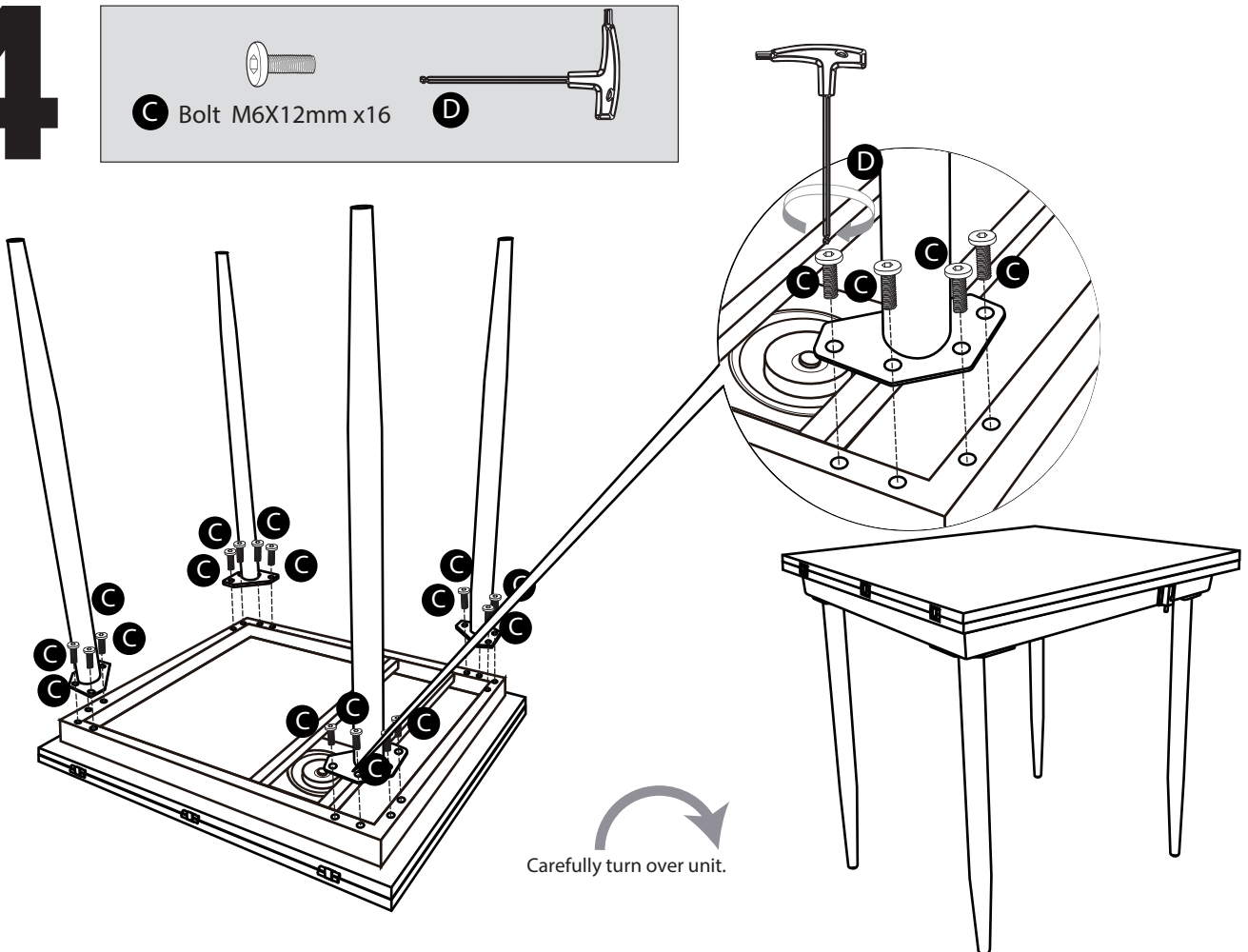
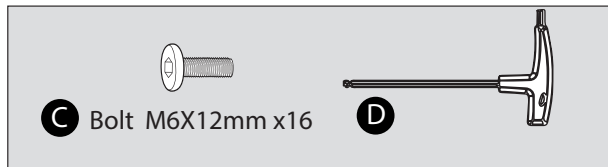
3



WARNING!
PLEASE FULLY TIGHTEN ALL BOLT AT THIS STEP.

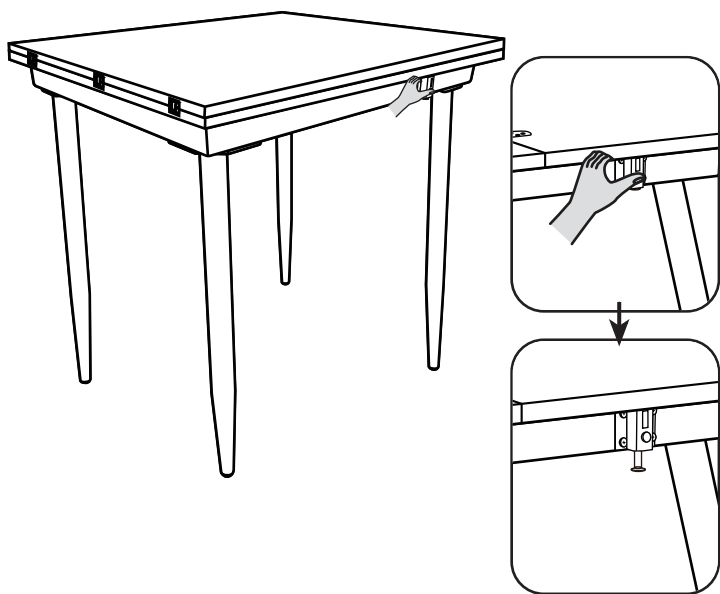


4

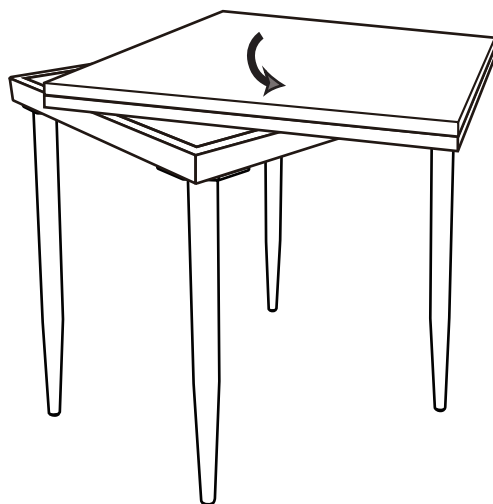


Expanding Operation

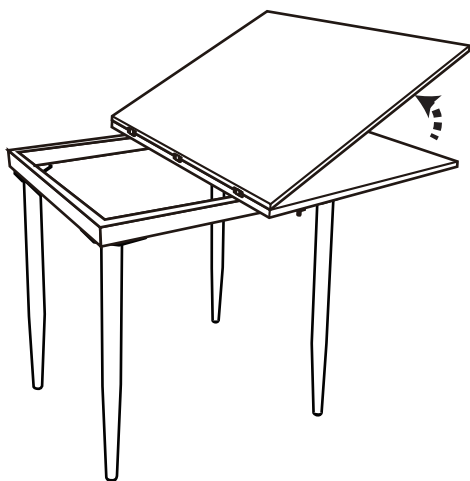
a



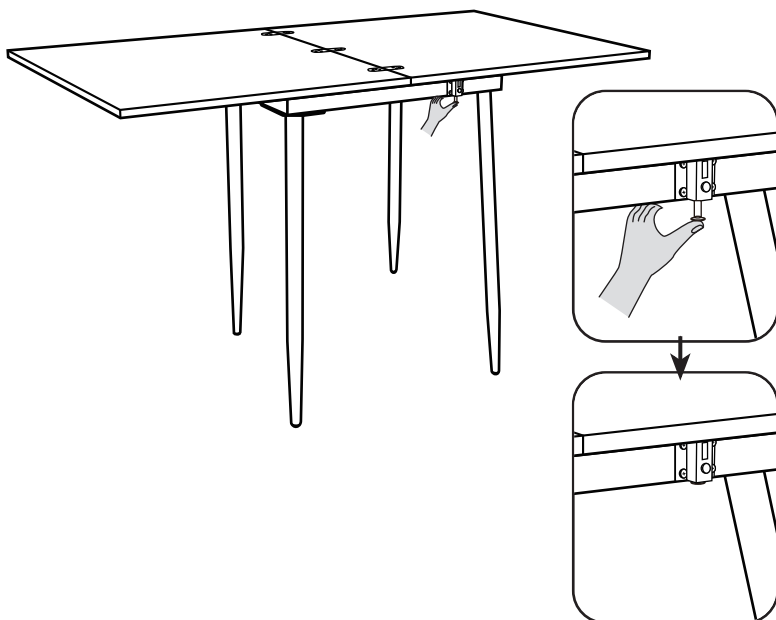
b



c

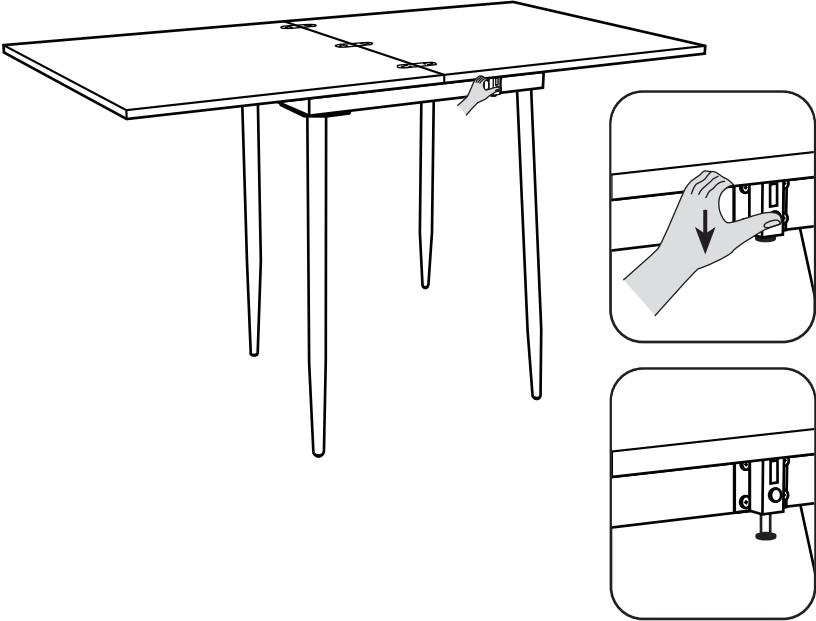


d

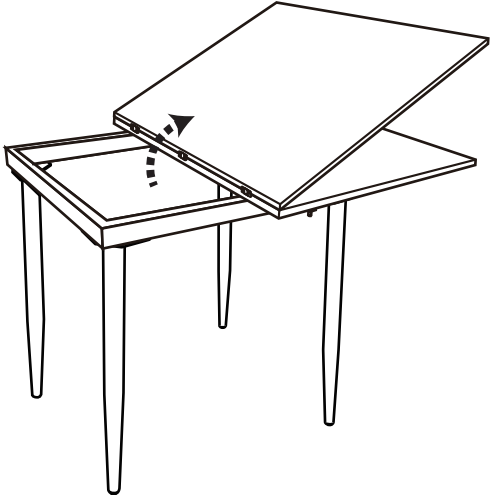


Folding Operation

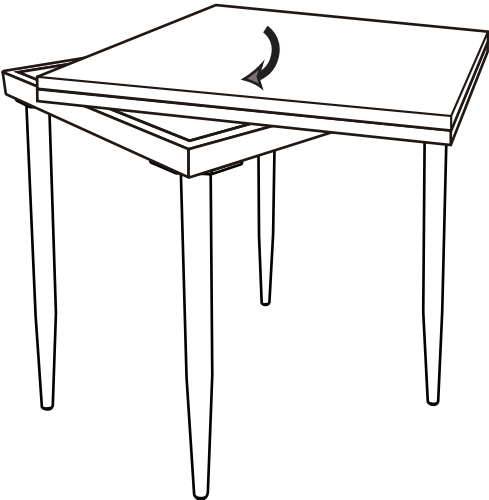
a



b



c



d

